

DESPIECE TÉCNICO TECHNICAL PARTS

Lavavajillas
Dishwasher

MODELOS
COP-503 / DD / B / SOFT

Diciembre 2014 December
Revisado Diciembre 2014 December Revised



C-3314

N.º plano / Drawing N.

Iban R

Firma /
Signature

2014-11

Fecha / Date

LAVAVAJILLAS COP-503 DISHWASHER

Aparato / Appliance

ARMAZÓN / FRAME

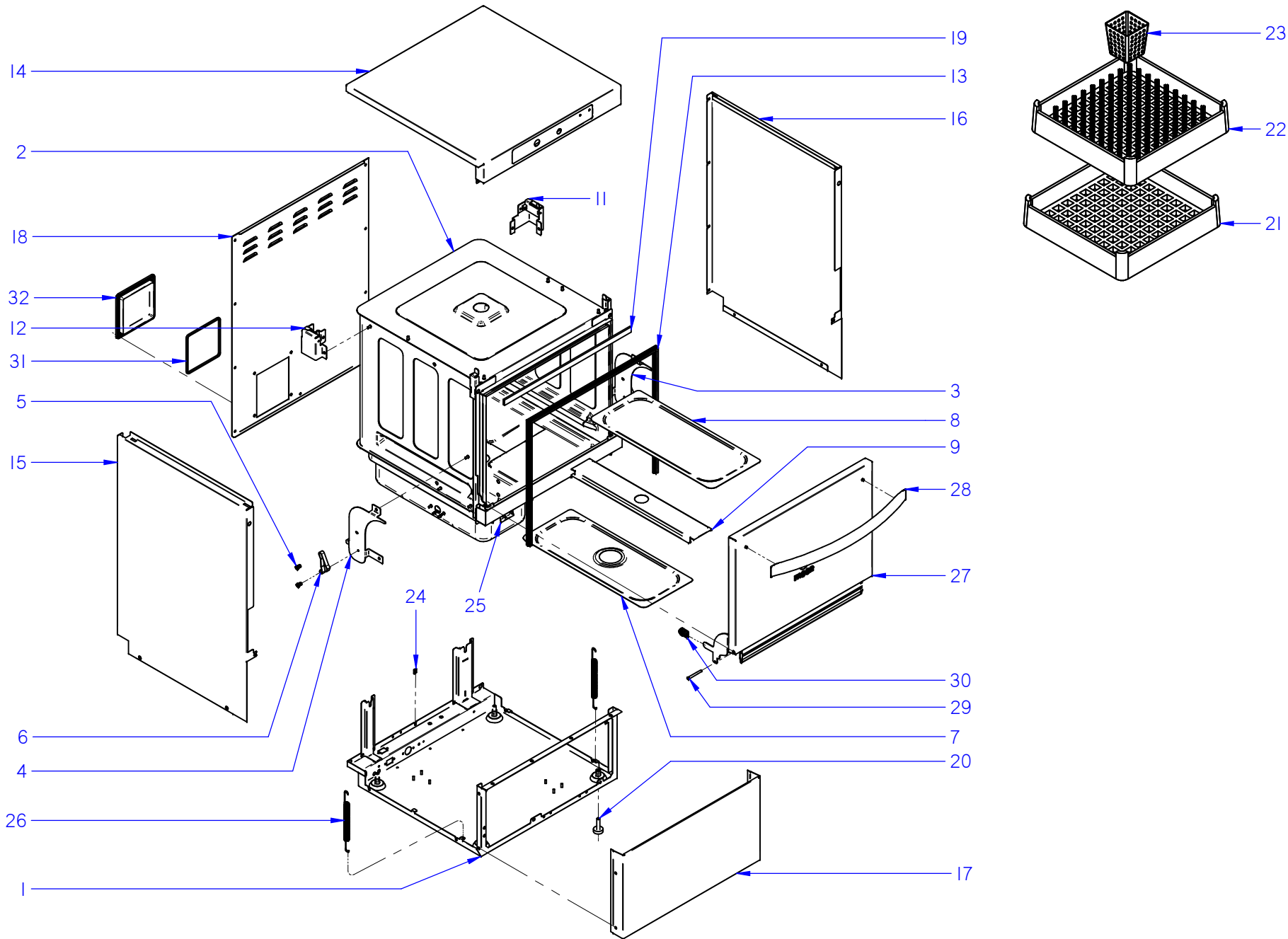
1

Lamina

Opote

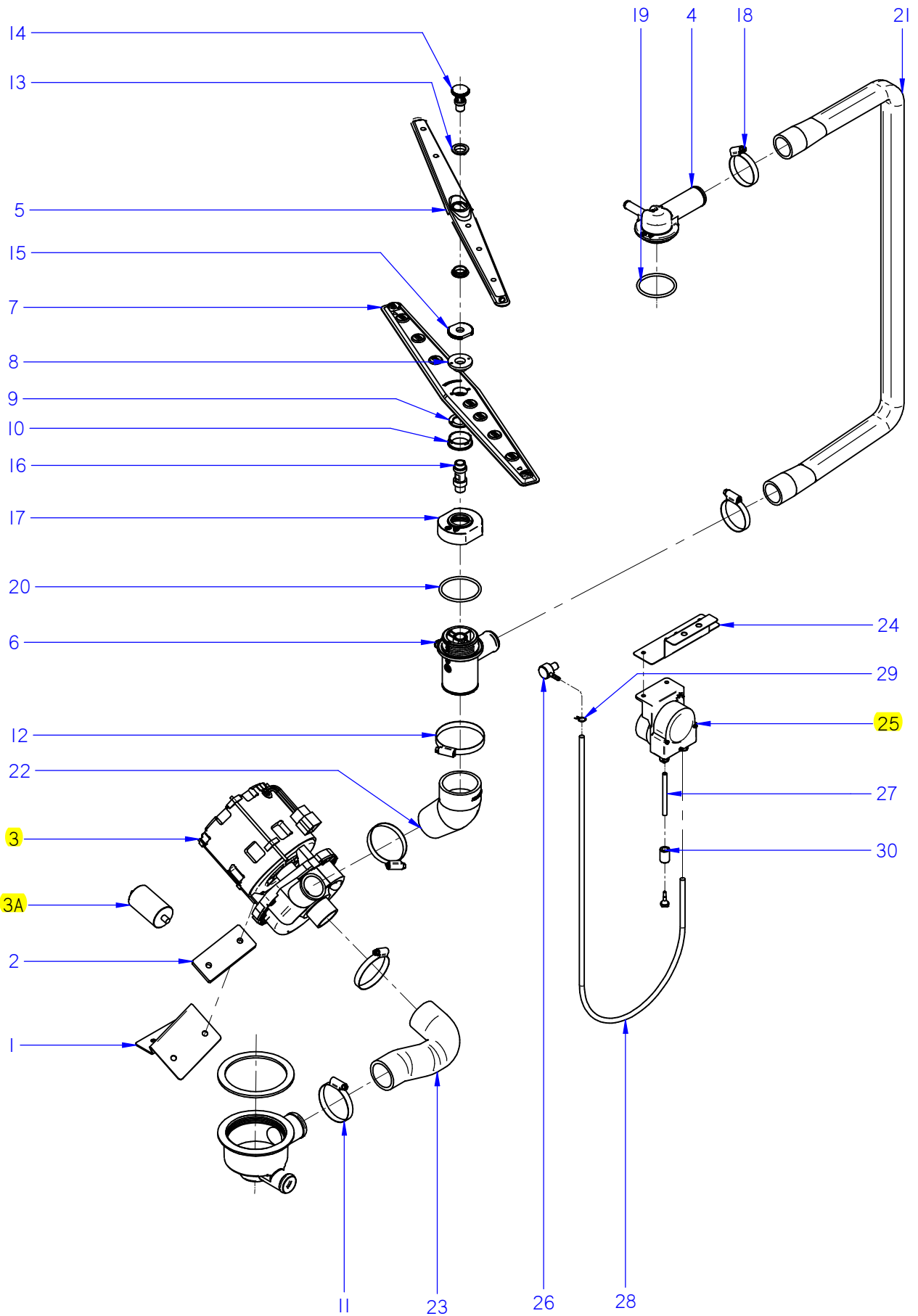
Fagor Industrial S. Coop. **FAGOR**

ITEM MARGADO EN COLOR = REPUESTO RECOMENDADO
COLOURED ITEM = RECOMMENDED SPARE PART



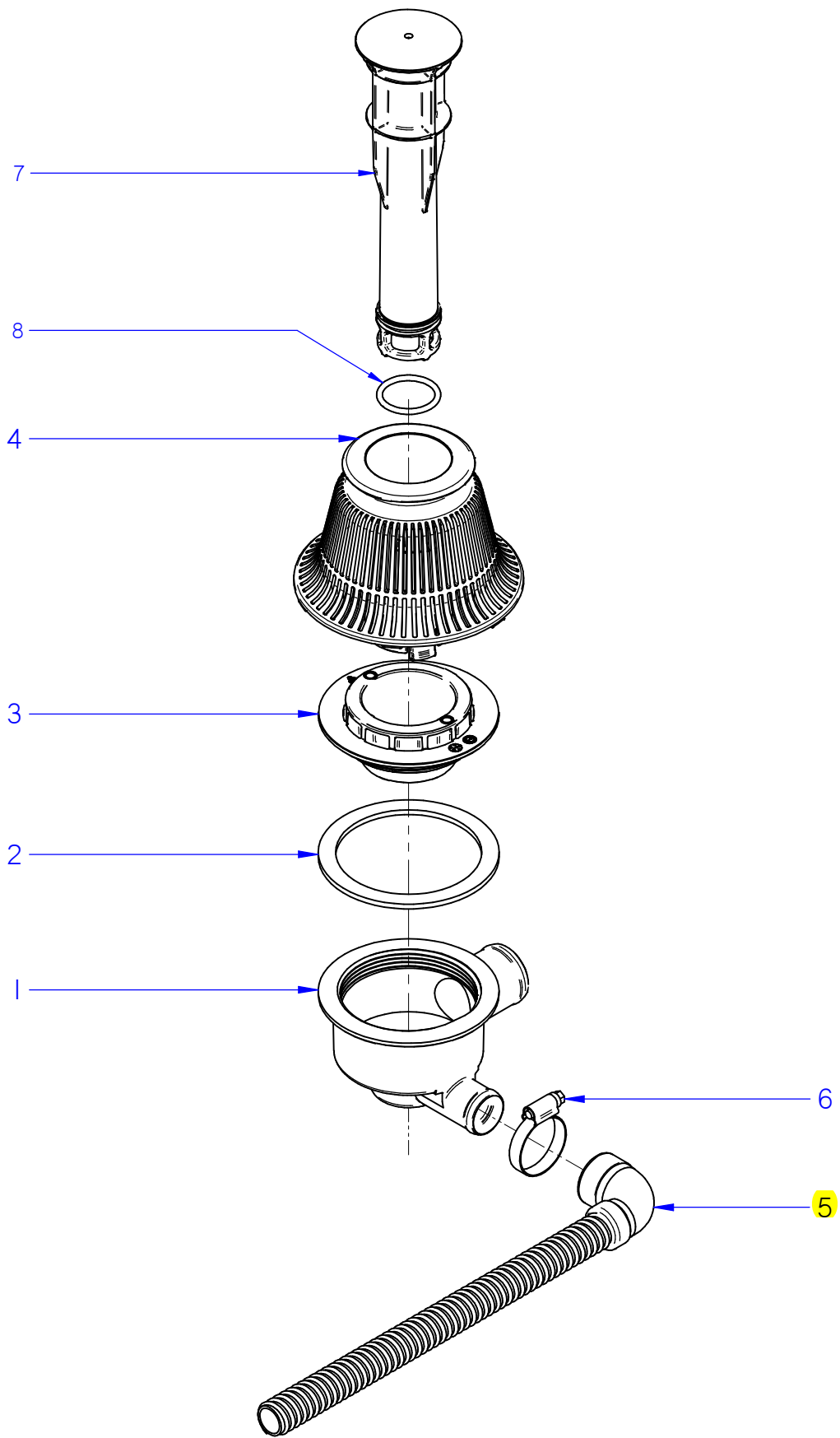
ZONA / ZONE	ARMAZON / FRAME	LÁMINA / DRAWING	C-3314	FAGOR 
--------------------	------------------------	-------------------------	---------------	--

ITEM	REFERENCIA REFERENCE	DENOMINACIÓN	DENOMINATION	COP-503								RECOMMENDED	ELIMINADO ELIMINATED	INTRODUCIDO INTRODUCED	NOTAS / NOTES
1	12097740	CONJUNTO_BASE_ARMAZON_AF	BASE FRAME COMPLETE	1											
2	12049290	CAJA SOLDADA CONCEPT+	WELDED TUB CONCEPT+	1											
3	12043455	SOPORTE RESORTE PUERTA DCHA	DOOR SPRING RIGHT SUPPORT	1											
4	12043457	SOPORTE RESORTE PUERTA IZDA	DOOR SPRING LEFT SUPPORT	1											
5	12043554	EJE RESORTE	SPRING SHAFT	4											
6	12043429	RESORTE PUERTA	DOOR SPRING	2											
7	12109967	BANDEJA FILTRO ALIVIADERO	SPILLWAY FILTER TRAY	1											
8	12109964	BANDEJA CONCEPT LISA (DCHA.)	CONCEPT FLAT TRAY (RIGHT)	1											
9	12098244	SOPORTE CENTRAL BANDEJAS	CENTRAL TRAYS SUPPORT	1											
11	12103774	SUJECCIÓN PANEL LATERAL DCHO.	RIGHT SIDE PANEL FASTENING	1											
12	12103787	SUJECCIÓN PANEL LATERAL IZDO.	LEFT SIDE PANEL FASTENING	1											
13	12049352	BURLETE APERTURA FRONTAL	FRONT LOADING GASKET	1											
14	12104359	TAPA PORTAMANDOS CONCEPT+	CONTROL PANEL COVER CONCEPT+	1											
15	12049023	PANEL LATERAL IZDO	LEFT SIDE PANEL	1											
16	12049022	PANEL LATERAL DCHO	RIGHT SIDE PANEL	1											
17	12049021	PANEL FRONTAL	FRONT PANEL	1											
18	12120613	PANEL POSTERIOR ADVANCE	REAR PANEL ADVANCE	1											
19	12111378	ESPUMA CIERRE TAPA PORTAMAND.	CTRL. P. COVER CLOSURE FOAM	1											
20	12024163	PATA REGULABLE	REGULABLE FEET	4											
21	12025011	CESTILLO BASE CT-10	CT-10 BASE BASKET	1											
22	12024990	CESTILLO PLATOS CP-16-18	CP-16-18 PLATES BASKET	1											
23	12023745	CESTILLO CUBIERTOS	CUTLERY BASKET	1											
24	12087215	TUERCA RÁPIDA M5 MIKALOR	MIKALOR QUICK NUT M5	19											
25	12044905	SOPORTE BULBO TERMOMETRO	THERMOSTAT BULB SUPPORT	1											
26	12097279	MUELLE APERTURA FRONTAL	FRONT LOADING SPRING	2											
27	12097227	PUERTA COMPLETA	COMPLETE DOOR	1											
28	12049466	ASA PUERTA	DOOR HANDLE	1											
29	12048418	TORN_ESPECIAL_EJE_PUERTA_M6	DOOR AXIS SPECIAL SCREW M-6	2											
30	12047927	TOPE BISAGRA	HINGE DOORSTOP	2											
31	12096947	JUNTA TAPA	COVER'S SEAL	1											
32	12095220	TAPA PLASTICO CAJA CONEXIONES	CONNECTIONS BOX COVER	1											



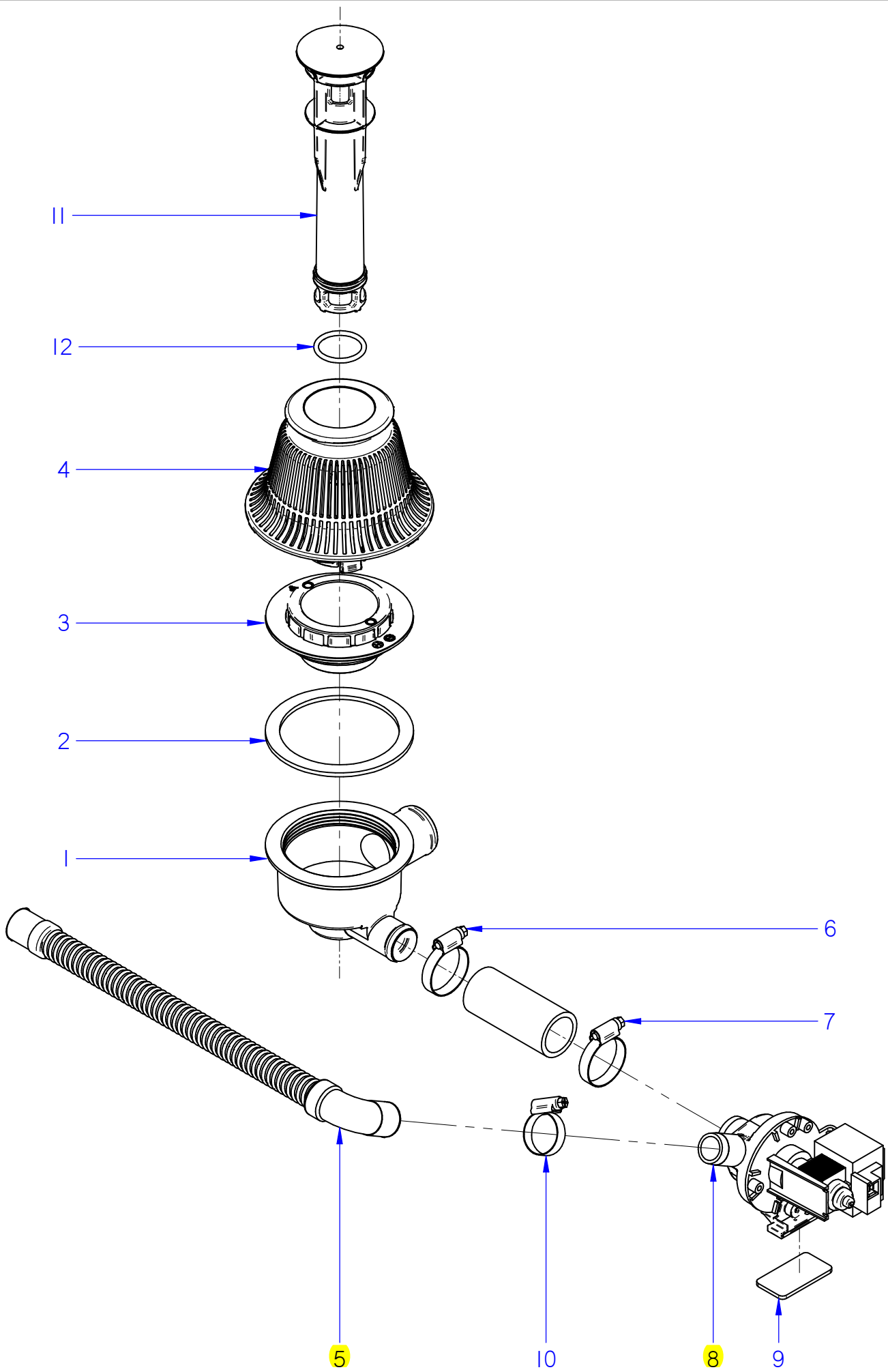
ITEM MARCADO EN COLOR = REPUESTO RECOMENDADO
 COLOURED ITEM = RECOMMENDED SPARE PART

N plano / Drawing N.	Firma / Signature	Fecha / Date	Aparato / Appliance	PARTE FUNCIONAL LAVADO / WASHING FUNCTIONAL PART	Lamina / Sheet	Fagor Industrial S.Coop. FAGOR
C-3315	Iban R.	11-2014	LAVAVAJILLAS COP-503 / 503 DD DISHWASHER		2	Oñate



ITEM MARCADO EN COLOR = REPUESTO RECOMENDADO
 COLOURED ITEM = RECOMMENDED SPARE PART

N plano / Drawing N.	Firma / Signature	Fecha / Date	Aparato / Appliance	DESAGÜE / DRAINING PART	Lamina / Sheet	Fagor Industrial S.Coop. FAGOR
C-3316	Iban R.	11-2014	LAVAVAJILLAS COP-503 DISHWASHER		3	Oñate



ITEM MARCADO EN COLOR = REPUESTO RECOMENDADO
 COLOURED ITEM = RECOMMENDED SPARE PART

N plano / Drawing N.	Firma / Signature	Fecha / Date	Aparato / Appliance	DESAGÜE / DRAINING PART	Lamina / Sheet	Fagor Industrial S.Coop. FAGOR
C-3317	Iban R.	11-2014	LAVAVAJILLAS COP-503 B DISHWASHER		4	Oñate

C-3318

N plano / Drawing N.

Iban R

Firma /
Signature

2014-11

Fecha / Date

LAVAVAJILLAS COP-503 DISHWASHER

Aparato / Appliance

ACLARADO / RINSING PART

5

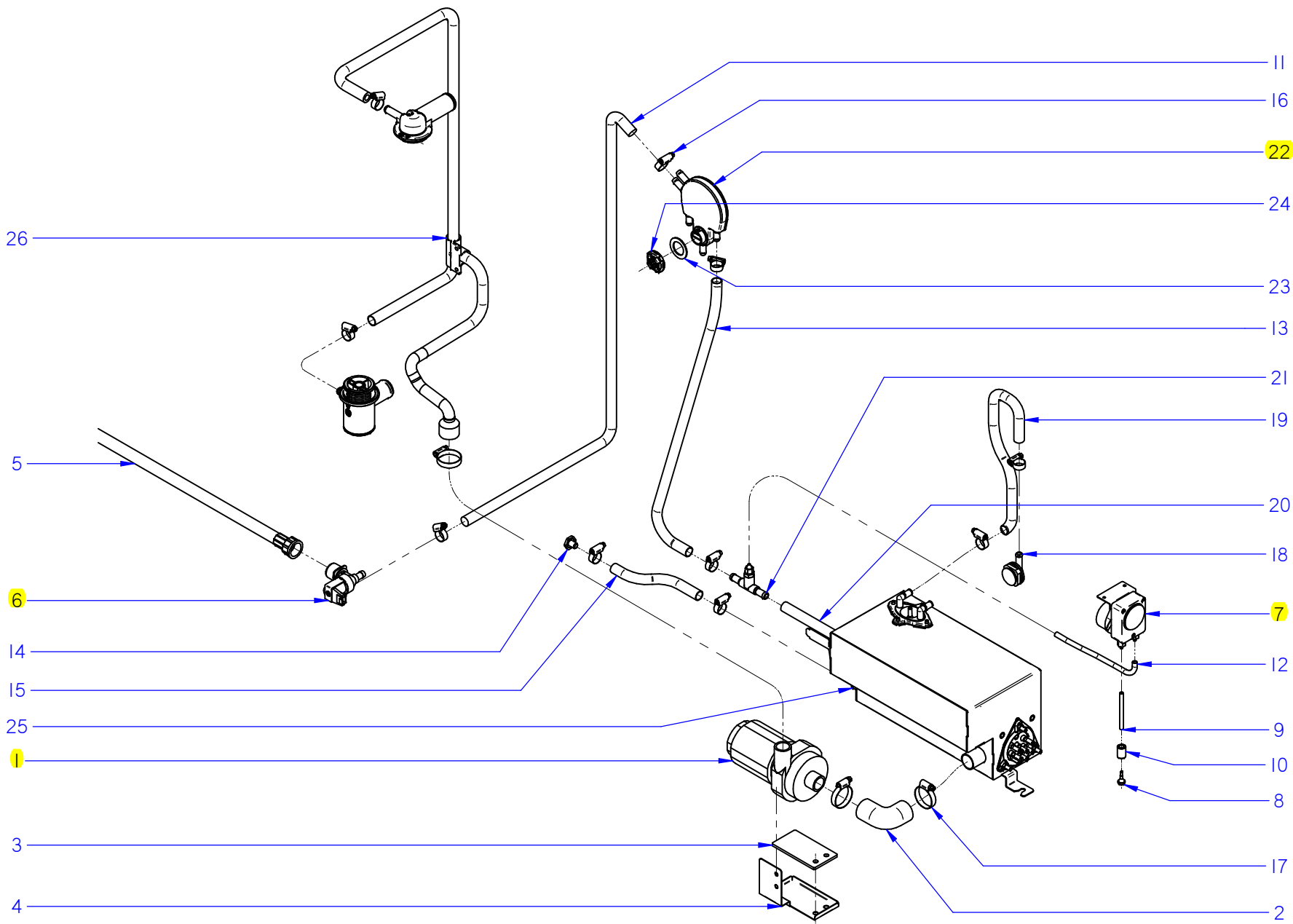
Lamina / Sheet

Opote

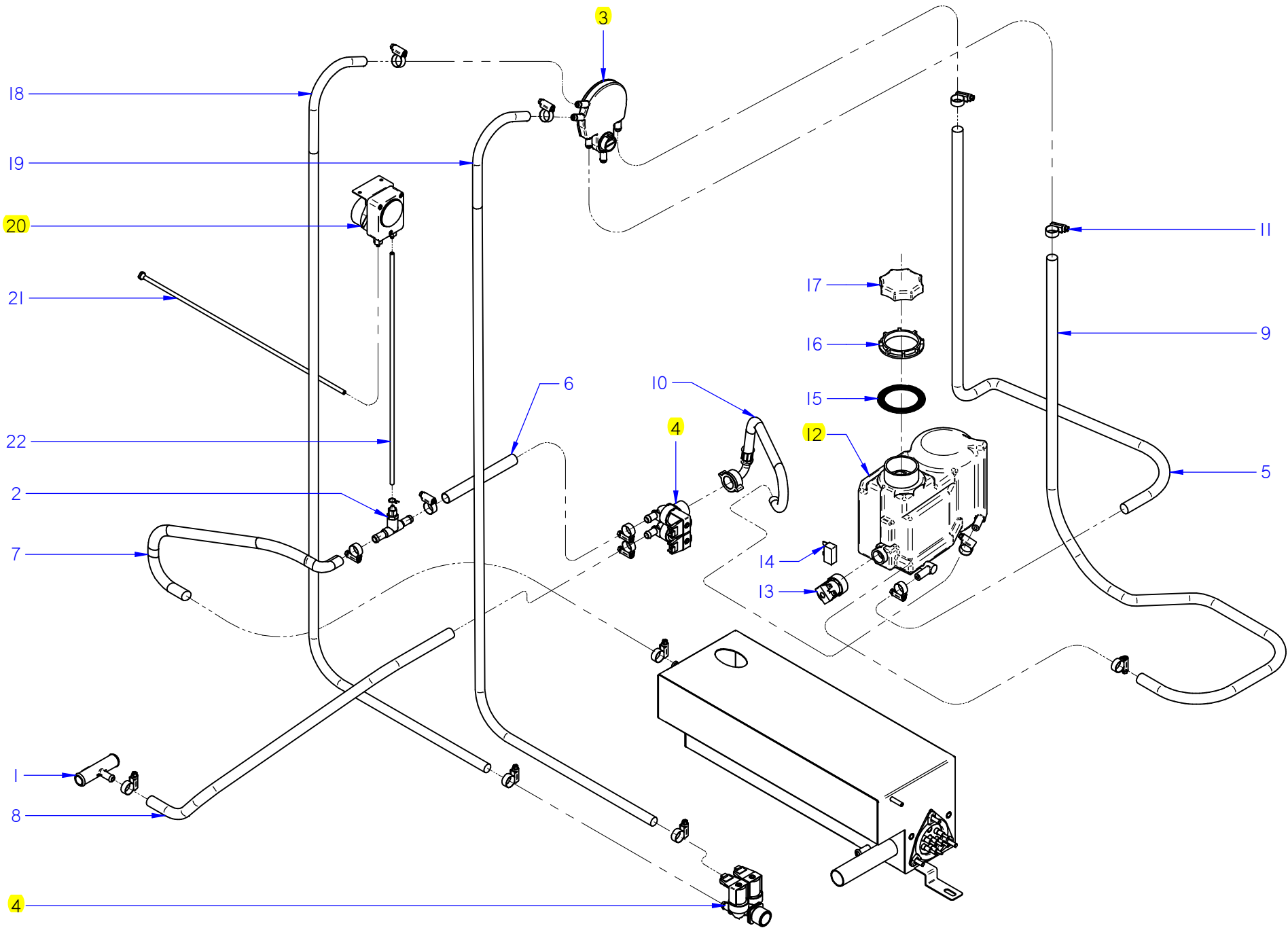
Fagor Industrial S. Coop.



ITEM MARCADO EN COLOR = REPUESTO RECOMENDADO
COLOURED ITEM = RECOMMENDED SPARE PART



ITEM MARCADO EN COLOR = REPUESTO RECOMENDADO
 COLOURED ITEM = RECOMMENDED SPARE PART



C-3320

N.º plano / Drawing N.º

Iban R

Firma /
Signature

2014-11

Fecha / Date

LAVAVAJILLAS COP-503 DISHWASHER
CONJUNTO ELECTRICO / ELECTRICAL PART

Aparato / Appliance

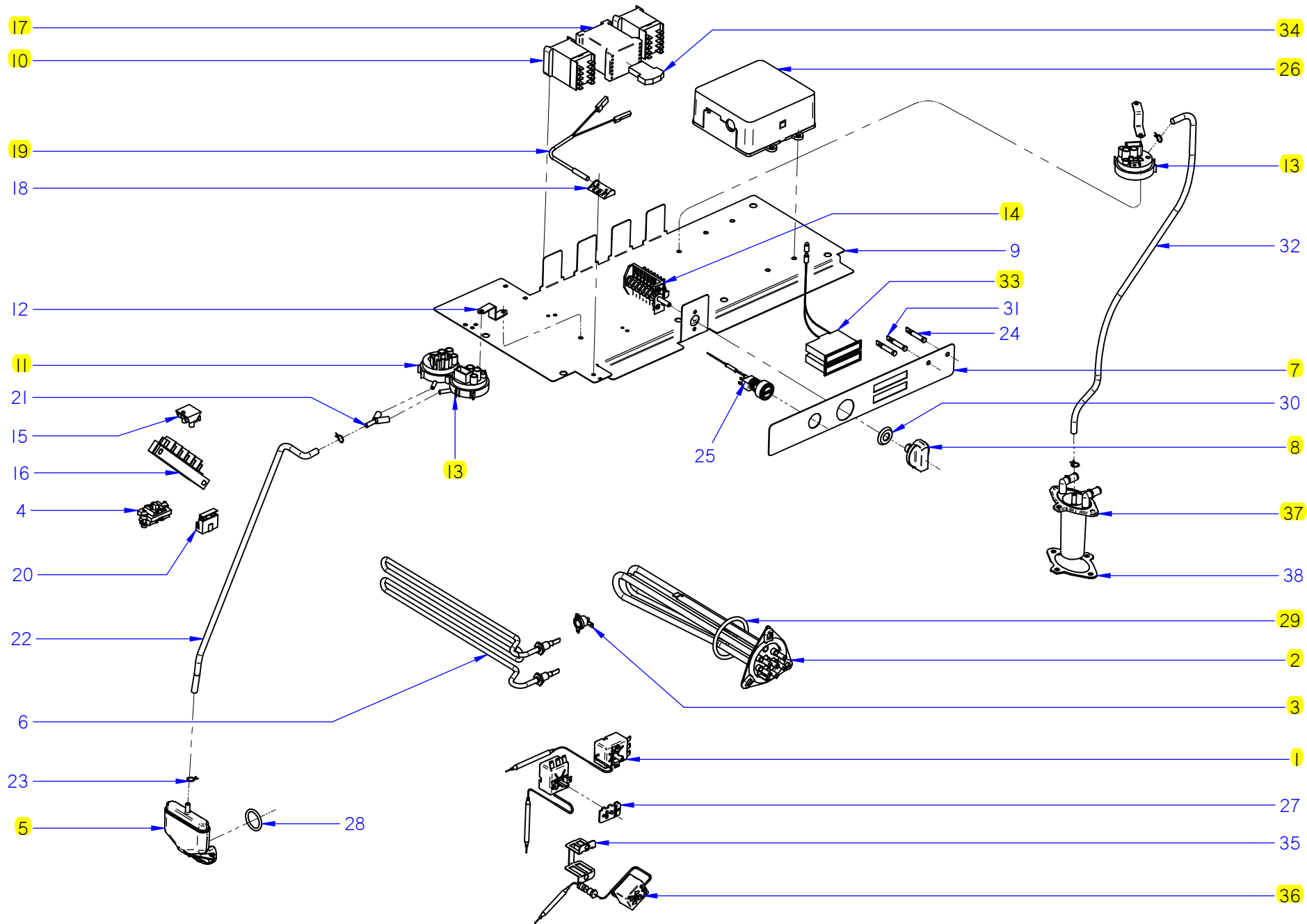
7

Lamina / Sheet

Fagor Industrial S. Coop. **FAGOR**
Oparte

Fagor Industrial S. Coop. **FAGOR**
Oparte

ITEM MARCADO EN COLOR = REPUESTO RECOMENDADO
COLOURED ITEM = RECOMMENDED SPARE PART



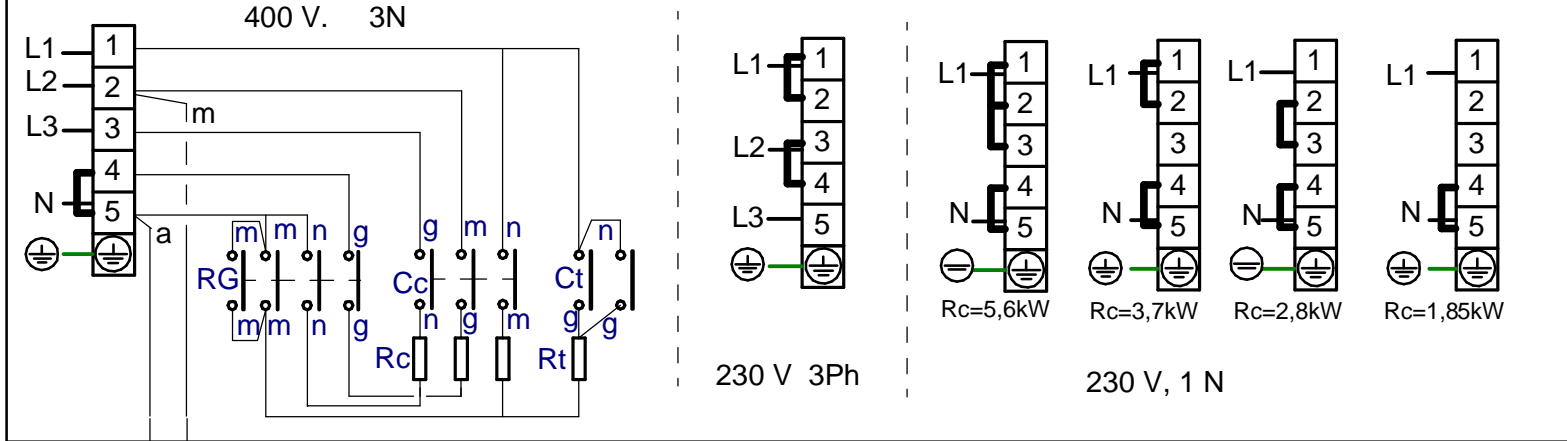
ZONA / ZONE	CONJUNTO ELECTRICO / ELECTRICAL PART	LÁMINA / DRAWING	C-3320	FAGOR 
--------------------	---	-------------------------	---------------	--

ITEM	REFERENCIA REFERENCE	DENOMINACIÓN	DENOMINATION	COP-503	COP-503 SOFT							RECOMMENDED	ELIMINADO ELIMINATED	INTRODUCIDO INTRODUCED	NOTAS / NOTES
1	12040858	TERMOSTATO REGULABLE 85°C	REGULABLE THERMOSTAT 85°C	2	2							X			
2	12090551	RESISTENCIA CALDERIN 5,60KW	BOILER'S RESISTOR 5,60KW	1	1							X			
3	12096597	TERM_SEG_261B_110°C_FAST_90	SAFETY THER. 261B_110°C_FAST_90	1	1										
4	12024230	RETENEDOR DE CABLE	CABLE RETAINER	1	1										
5	12093146	CAMPANA TANQUE	TUB'S PRESSURE CHAMBER	1	1							X			
6	12048965	RESISTENCIA TANQUE 2800W	TUB'S RESISTOR 2800W	1	1							X			
7	12092539	EMBELLECEDOR COP-503	COP-503 STICKER	1								X			
7	12092536	EMBELLECEDOR COP-503 SOFT	COP-503 SOFT STICKER		1							X			
8	12115972	CONJUNTO MANDO CONCEPT	CONCEPT KNOB ASSEMBLED	1	1							X			
9	12095635	SOP. COMPONENTES ELECTRICOS	ELECTRIC COMPONENTS SUPPORT	1	1										
10	12024011	CONTACTOR 230 V. 50-60 HZ 16A	230 V. 50-60 HZ 16A CONTACTOR	2	2							X			
11	12096970	PRESOSTATO 1,40-6,30 BAR SIMPLE	1,40-6,30 BAR PRESSURE SWITCH	1	1							X			
12	12098323	SOPORTE PRESOSTATO AF	PRESSURE SWITCH SUPPORT	2	2										
13	12096968	PRESOSTATO 1,40-6,30 BAR SIMPLE	1,40-6,30 BAR PRESSURE SWITCH	2	2							X			
14	12092712	CONMUTADOR DE 7 FUNCIONES	SWITCH FOR 7 FUNCTIONS	1	1										
15	12024110	REGLETA DE CONEXIONES	CONNECTION STRIP	1	1										
16	12025183	REGLETA AUXILIAR FV-122	AUX. CONNECTION STRIP FV-122	1	1										
17	12111795	CONTACTOR 230 V. 50-60 HZ 20A	230V. 16A 50-60 HZ 20A RELAY	1	1							X			
18	12024066	AMARRE INTERRUPTOR MAGNETICO	MAGNETIC SWITCH'S SUPPORT	1	1										
19	12024477	INTERRUPTOR MAGNETICO	MAGNETIC SWITCH	1	1							X			
20	12045569	BORNA PORTAFUSIBLE 13A 2,50MM2	13A 2,50MM2 FUSE TERMINAL	1	1										
21	12023510	RACORD EN Y	Y FITTING	1	1										
22	11000066	TUBO GOMA NEGRO D 8*4	BLACK RUBBER PIPE D 8*4	1	1										
23	12023707	BRIDA ELASTICA TUBO	ELASTIC CLAMP FOR PIPES	4	4										
24	12087178	PILOTO BLANCO	WHITE PILOT	1	2										
25	12115384	PULSADOR 5V DC 5A 1VIA 1POS	5V DC 5A 1WAY 1POS PUSHBUTTON	1	1							X			
26	12110837	CONTROL TARJETA 5 RELES	5 RELAY CONTROL CARD	1	1							X			
27	12044848	REGULADOR A 60°C Tt DE 85°C	60°C Tt DE 85°C REGULATOR	1	1										
28	12093145	JUNTA TORICA CAMPANA	PRESSURE CHAMBER'S O-RING	1	1										
29	12118319	JUNTA TORICA RESIST. CALDERIN	BOILER'S RESISTOR'S O-RING	1	1							X			
30	12024516	JUNTA CONMUTADOR	FUNCTIONS SWITCH SEAL	1	1										
31	12091434	PILOTO VERDE	GREEN PILOT	1	1										

ZONA / ZONE	RECOMENDADOS / RECOMMENDED	LÁMINA / DRAWING	FAGOR 
-------------	----------------------------	------------------	---

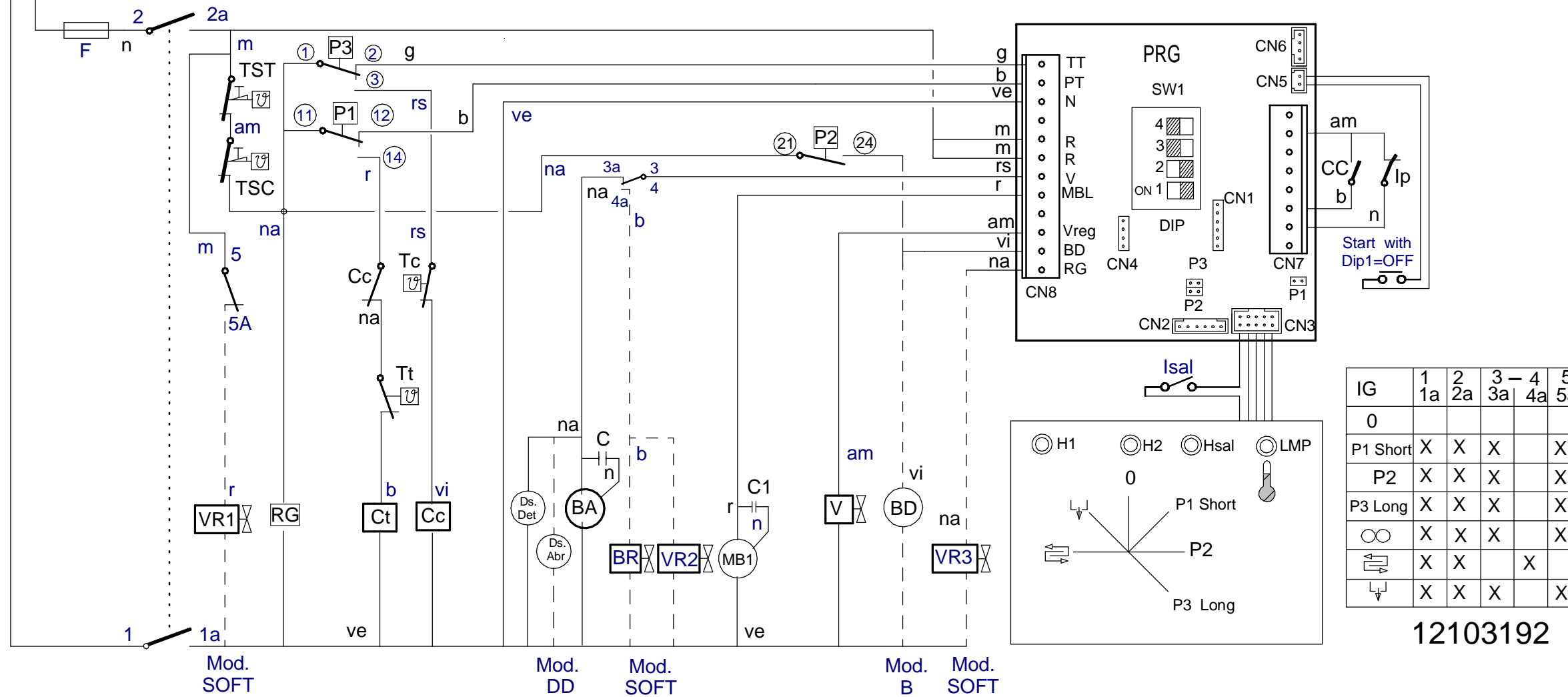
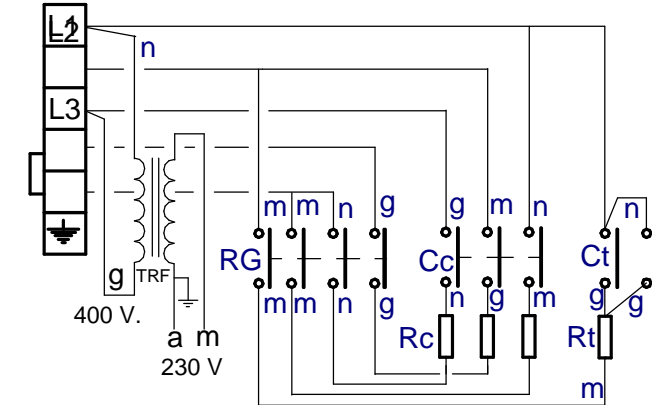
ITEM	REFERENCIA REFERENCE	DENOMINACIÓN	DENOMINATION	COP-503	COP-503 DD	COP-503 B	COP-503 SOFT						ELIMINADO ELIMINATED	INTRODUCIDO INTRODUCED	NOTAS / NOTES
3	12043287	MOTOBOMBA 590KW 50Hz	WASHIG PUMP 590KW 50Hz	1	1	1	1								C-3315
3	12102834	MOTOBOMBA 590KW 60Hz	WASHIG PUMP 590KW 60Hz	1	1	1	1								C-3315
3A	12024376	CONDENSADOR 10MF	10MF CAPACITOR	1	1	1	1								C-3315
25	12024216	DOSIFIC. DGTE REGULABLE G300	REGUL. DETERG. DISPENSER G300	—	1	—	—								C-3315
5	12115471	MANGUERA DESAGÜE	DRAINING PIPE	1	1	—	1								C-3316
5	12023666	MANGUERA DESAGÜE	DRAINING PIPE	—	—	1	—								C-3317
8	12094265	BOMBA DESAGÜE	DRAINING PUMP	—	—	1	—								C-3317
1	12024233	BOMBA ACLARADO HANNING	HANNING RINSING PUMP	1	1	1	1								C-3318
6	12095427	E.V SIMPLE 220V SALIDA A 90º	SIMPLE E.V 90º EXIT	1	1	1	—								C-3318
7	12092198	DOSIFICADOR ABRILLANTADOR	RINSE DISPENSER	1	1	1	1								C-3318
22	12091121	AIR BREAK	AIR BREAK	1	1	1	1								C-3318
4	12110531	E.V.DOBLE 220/240V 50/60Hz	DOUBLE EV 220/240V 50/60Hz	—	—	—	2								C-3319
12	12044603	DESCALCIFICADOR COMPLETO	COMPLETE SOFTENER	—	—	—	1								C-3319
1	12040858	TERMOSTATO REGULABLE 85ºC	REGULABLE THERMOSTAT 85ºC	2	2	2	2								C-3320
2	12090551	RESISTENCIA CALDERIN 5,60KW	BOILER'S RESISTOR 5,60KW	1	1	1	1								C-3320
5	12093146	CAMPANA TANQUE	TUB'S PRESSURE CHAMBER	1	1	1	1								C-3320
6	12048965	RESISTENCIA TANQUE 2800W	TUB'S RESISTOR 2800W	1	1	1	1								C-3320
7	12092539	EMBELLECEDOR COP-503	COP-503 STICKER	1	1	1	—								C-3320
7	12092536	EMBELLECEDOR COP-503 SOFT	COP-503 SOFT STICKER	—	—	—	1								C-3320
8	12115972	CONJUNTO MANDO CONCEPT	CONCEPT KNOB ASSEMBLED	1	1	1	1								C-3320
10	12024011	CONTACTOR 230 V. 50-60 HZ 16A	230 V. 50-60 HZ 16A CONTACTOR	2	2	2	2								C-3320
11	12096970	PRESOSTATO 1,40-6,30 BAR SIMPLE	1,40-6,30 BAR PRESSURE SWITCH	1	1	1	1								C-3320
13	12096968	PRESOSTATO 1,40-6,30 BAR SIMPLE	1,40-6,30 BAR PRESSURE SWITCH	2	2	2	2								C-3320
17	12111795	CONTACTOR 230 V. 50-60 HZ 20A	230V. 16A 50-60 HZ 20A RELAY	1	1	1	1								C-3320
19	12024477	INTERRUPTOR MAGNETICO	MAGNETIC SWITCH	1	1	1	1								C-3320
25	12115384	PULSADOR 5V DC 5A 1VIA 1POS	5V DC 5A 1WAY 1POS PUSHBUTTON	1	1	1	1								C-3320
26	12110837	CONTROL TARJETA 5 RELES	5 RELAY CONTROL CARD	1	1	1	1								C-3320
29	12118319	JUNTA TORICA RESIST. CALDERIN	BOILER'S RESISTOR'S O-RING	1	1	1	1								C-3320
33	12049669	TERMOSTATO 0A 120ºC 6MM 68X47	0A 120ºC 6MM 68X47 THERMOSTAT	2	2	2	2								C-3320
34	12112548	CONTACTOR AUXILIAR 250V 10A	250V 10A AUXILIARY CONTACTOR	1	1	1	1								C-3320
36	12023830	TERMOSTATO DE SEGURIDAD 125ºC	SAFETY THERMOSTAT 125ºC	1	1	1	1								C-3320
37	12091478	CAMPANA CALDERIN	BOILER'S PRESSURE CHAMBER	1	1	1	1								C-3320

COP 503, B, DD, SOFT



COP 503 MARINE

400 V. 3 Ph, Without Neutral



12103192

-	Esquema Teorico COP 503	-	12103192		
Nº	TITLE	QTY	CODE	MATERIAL	TREATMENT
GENERAL TOLERANCES:		ISO 2768-1		Very Coarse	
	Fine	Medium	Coarse	Very Coarse	
<3mm	±0.05	±0.10	±0.15	±0.15	
3-6mm	±0.05	±0.10	±0.20	±0.20	
6-30mm	±0.10	±0.20	±0.50	±0.50	
30-120mm	±0.15	±0.30	±0.80	±0.80	
120-400mm	±0.20	±0.50	±1.20	±1.20	
400-1000mm	±0.30	±0.80	±2.00	±2.00	
1000-2000mm	±0.50	±1.20	±3.00	±3.00	
GENERAL TOLERANCE FOR FORM AND POSITION:		ISO 2768-2			
		LAVAVAJILLAS			
		DESIGNED BY		VALIDATED BY	
		M.MAILLO		X.Iruretagoyena	
		DATE		05.02.2014	
		SHEET:		1 / 1	
		SCALE:			
12103192		PROPOSED BY:		M.MAILLO	
		ISSUE DATE:			

