

DESPIECE TÉCNICO TECHNICAL PARTS

Lavavajillas
Dishwasher

MODELOS

CO-500 / DD / B / B DD

CO-501 / DD / B / B DD / SOFT

Diciembre 2014 December

Revisado Diciembre 2014 December Revised



C-3286

N plano / Drawing N.

Iban R

Firma / Signature

2014-10

Fecha / Date

LAVAVAJILLAS CO-500-501 DISHWASHER

Aparato / Appliance

ARMAZON / FRAME

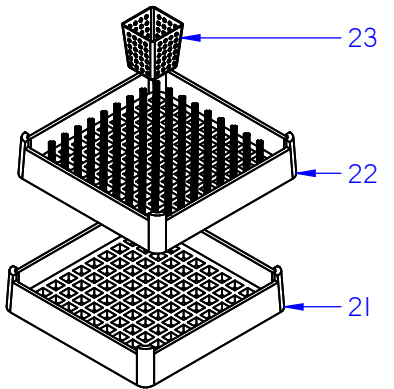
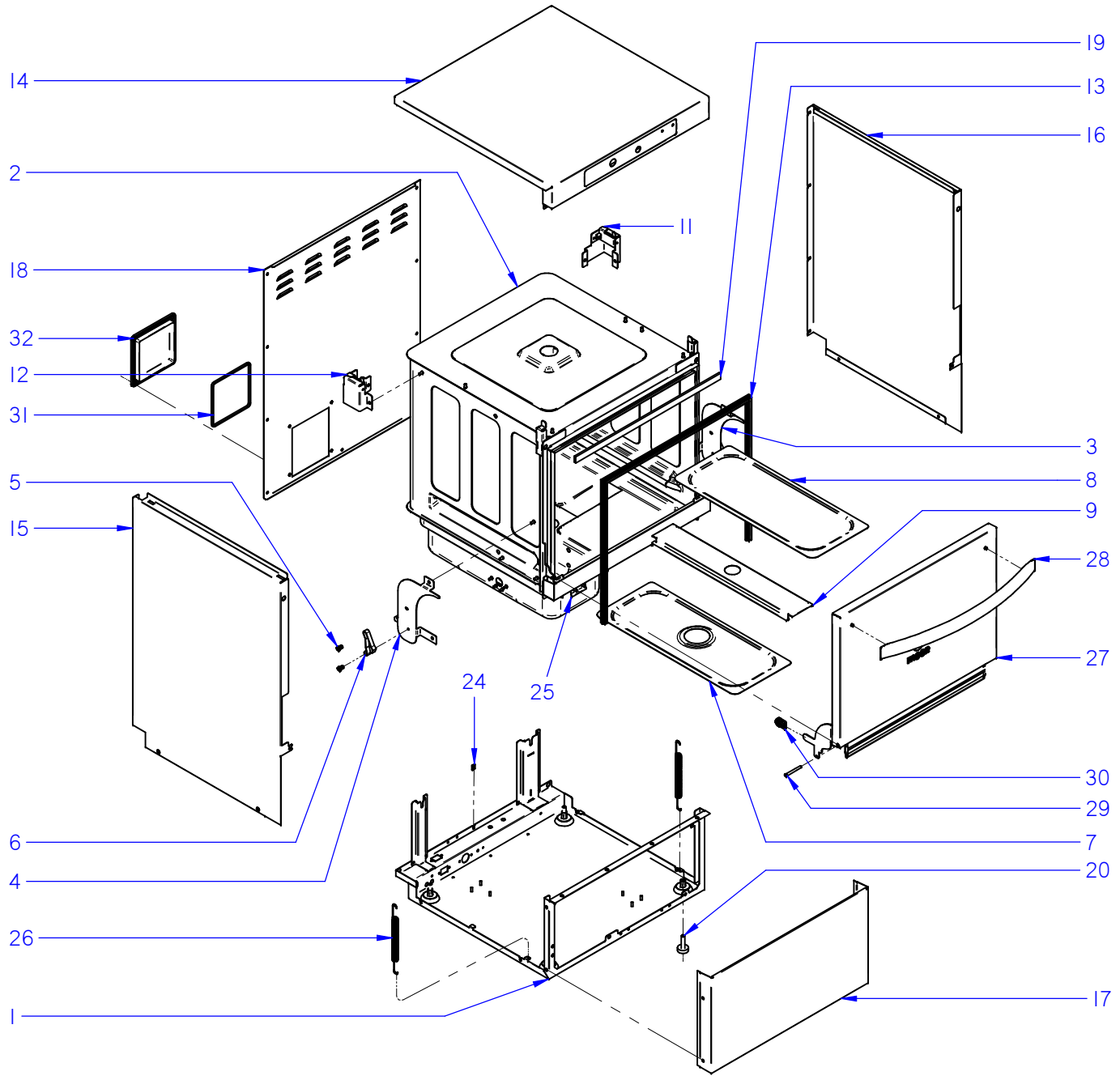
1

Lamina / Sheet

Opote

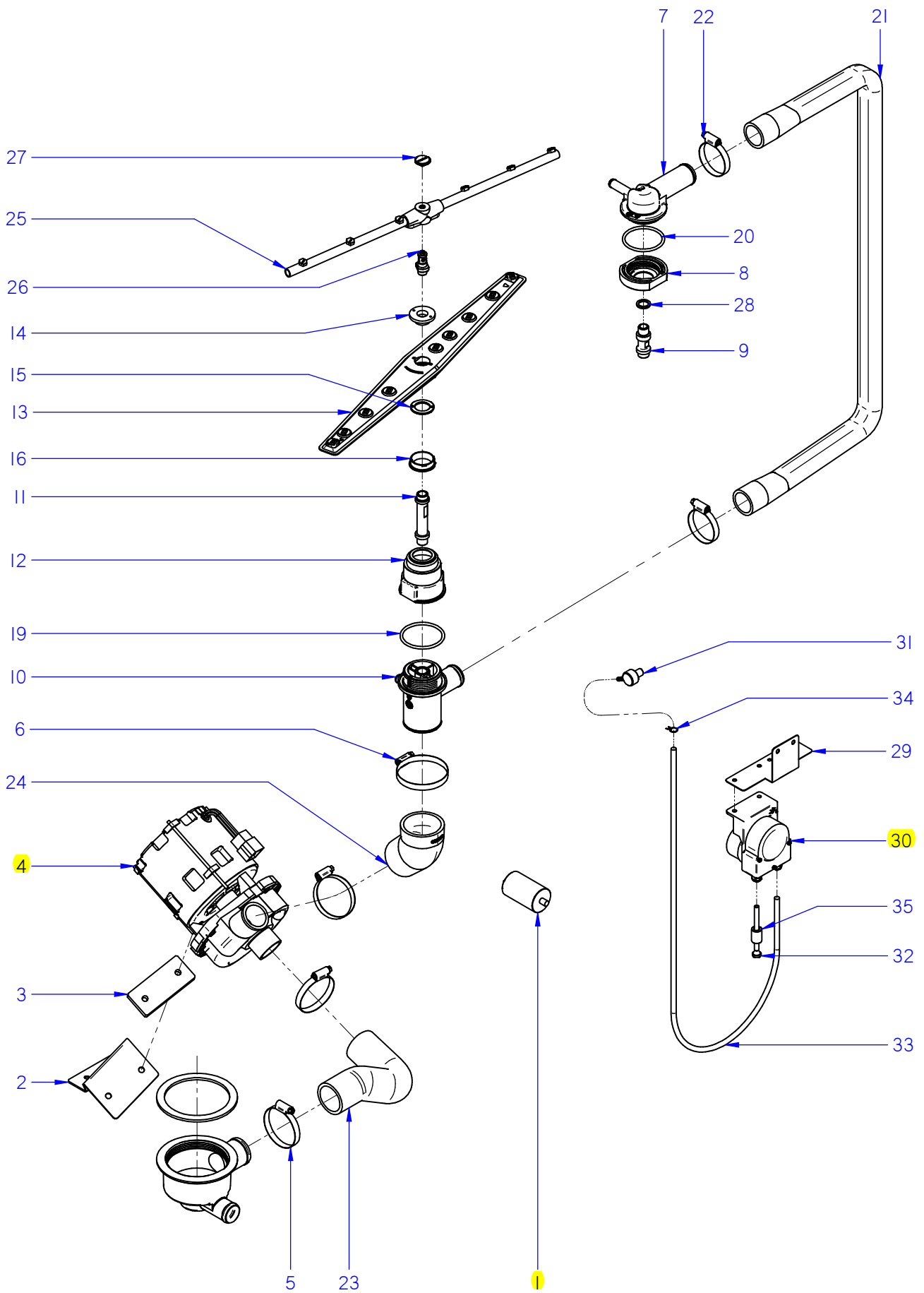
Fagor Industrial S. Coop. FAGOR

ITEM MARCADO EN COLOR = REPUESTO RECOMENDADO
COLOURED ITEM = RECOMMENDED SPARE PART



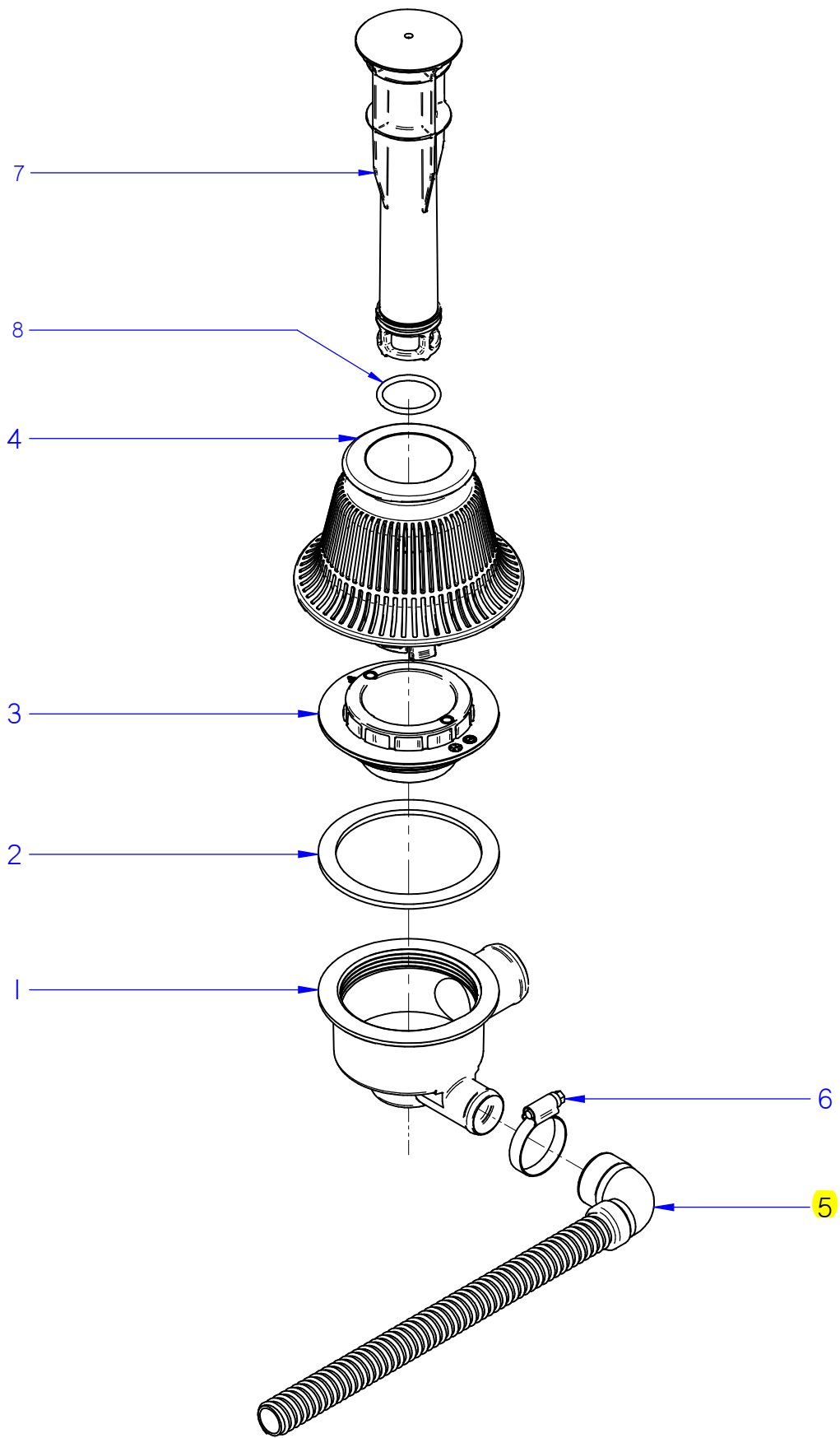
ZONA / ZONE	ARMAZON / FRAME	LÁMINA / DRAWING	C-3286	FAGOR 
--------------------	------------------------	-------------------------	---------------	--

ITEM	REFERENCIA REFERENCE	DENOMINACIÓN	DENOMINATION	CO-501	CO-500								RECOMMENDED	ELIMINADO ELIMINATED	INTRODUCIDO INTRODUCED	NOTAS / NOTES
1	12097740	CONJUNTO_BASE_ARMAZON_AF	BASE FRAME COMPLETE	1	1											
2	12049291	CAJA SOLDADA CONCEPT	WELDED TUB CONCEPT	1	1											
3	12043455	SOPORTE RESORTE PUERTA DCHA	DOOR SPRING RIGHT SUPPORT	1	1											
4	12043457	SOPORTE RESORTE PUERTA IZDA	DOOR SPRING LEFT SUPPORT	1	1											
5	12043554	EJE RESORTE	SPRING SHAFT	4	4											
6	12043429	RESORTE PUERTA	DOOR SPRING	2	2											
7	12109967	BANDEJA FILTRO ALIVIADERO	SPILLWAY FILTER TRAY	1	-											
8	12109964	BANDEJA CONCEPT LISA (DCHA.)	CONCEPT FLAT TRAY (RIGHT)	1	-											
9	12098244	SOPORTE CENTRAL BANDEJAS	CENTRAL TRAYS SUPPORT	1	-											
11	12103774	SUJECCIÓN PANEL LATERAL DCHO.	RIGHT SIDE PANEL FASTENING	1	1											
12	12103787	SUJECCIÓN PANEL LATERAL IZDO.	LEFT SIDE PANEL FASTENING	1	1											
13	12049352	BURLETE APERTURA FRONTAL	FRONT LOADING GASKET	1	1											
14	12103683	TAPA PORTAMANDOS CONCEPT	CONTROL PANEL COVER CONCEPT	1	1											
15	12122224	PANEL LATERAL IZDO	LEFT SIDE PANEL	1	1											
16	12122222	PANEL LATERAL DCHO	RIGHT SIDE PANEL	1	1											
17	12122220	PANEL FRONTAL	FRONT PANEL	1	1											
18	12120613	PANEL POSTERIOR ADVANCE	REAR PANEL ADVANCE	1	1											
19	12111378	ESPUMA CIERRE TAPA PORTAMAND.	CTRL. P. COVER CLOSURE FOAM	1	1											
20	12024163	PATA REGULABLE	REGULABLE FEET	4	4											
21	12025011	CESTILLO BASE CT-10	CT-10 BASE BASKET	1	1											
22	12024990	CESTILLO PLATOS CP-16-18	CP-16-18 PLATES BASKET	1	1											
23	12023745	CESTILLO CUBIERTOS	CUTLERY BASKET	1	1											
24	12087215	TUERCA RÁPIDA M5 MIKALOR	MIKALOR QUICK NUT M5	19	19											
25	12044905	SOPORTE BULBO TERMOMETRO	THERMOSTAT BULB SUPPORT	1	1											
26	12097279	MUELLE APERTURA FRONTAL	FRONT LOADING SPRING	2	2											
27	12097227	PUERTA COMPLETA	COMPLETE DOOR	1	1											
28	12049466	ASA PUERTA	DOOR HANDLE	1	1											
29	12048418	TORN_ESPECIAL_EJE_PUERTA_M6	DOOR AXIS SPECIAL SCREW M-6	2	2											
30	12047927	TOPE BISAGRA	HINGE DOORSTOP	2	2											
31	12096947	JUNTA TAPA	COVER'S SEAL	1	1											
32	12095220	TAPA PLASTICO CAJA CONEXIONES	CONNECTIONS BOX COVER	1	1											



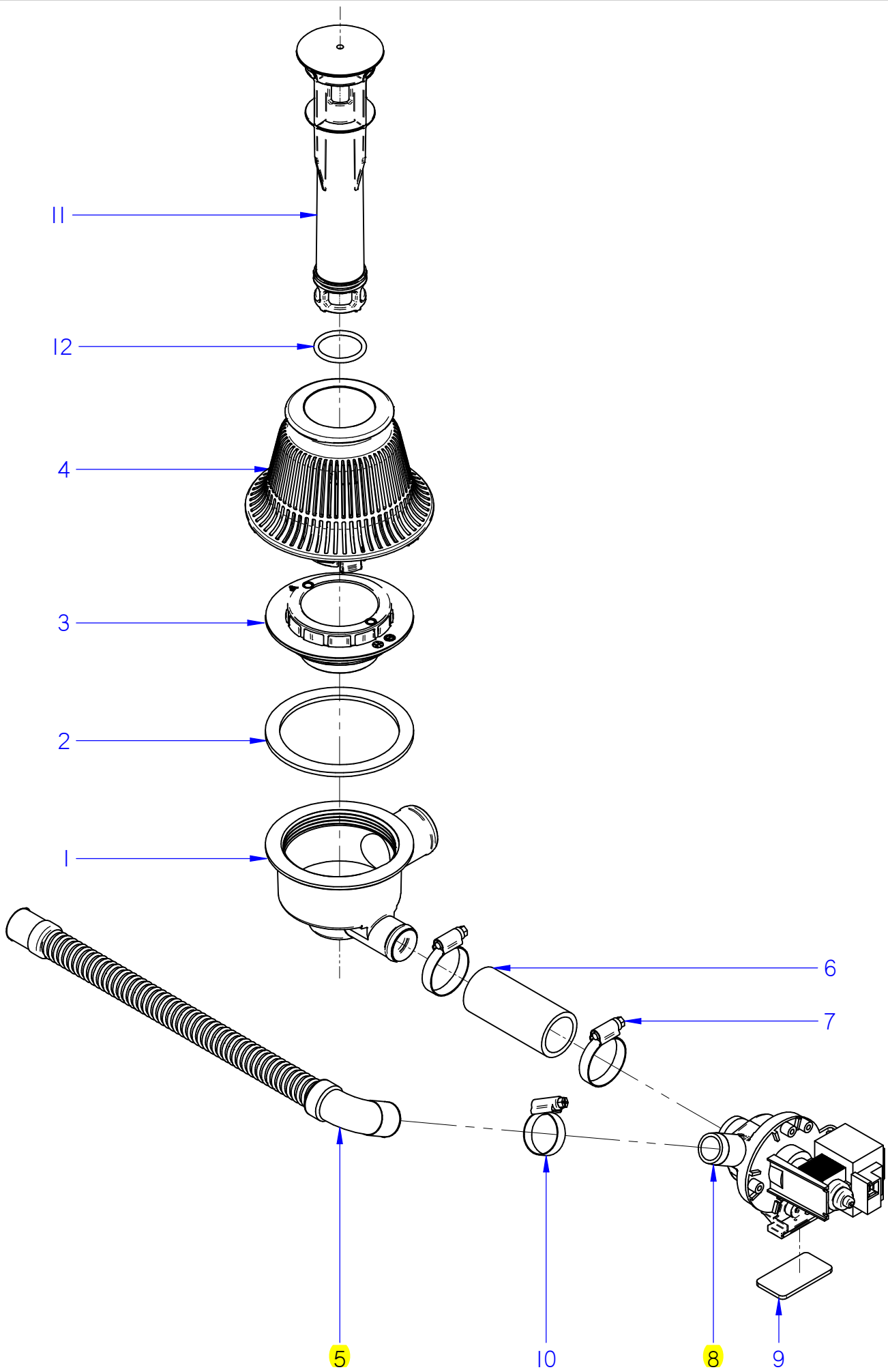
ITEM MARCADO EN COLOR = REPUESTO RECOMENDADO
 COLOURED ITEM = RECOMMENDED SPARE PART

N plano / Drawing N.	Firma / Signature	Fecha / Date	Aparato / Appliance	PARTE FUNCIONAL LAVADO / WASHING FUNCTIONAL PART	Lamina / Sheet	Fagor Industrial S.Coop. FAGOR
C-3287	Iban R.	10-2014	LAVAVAJILLAS CO-500-501 / DD	DISHWASHER	2	Oñate




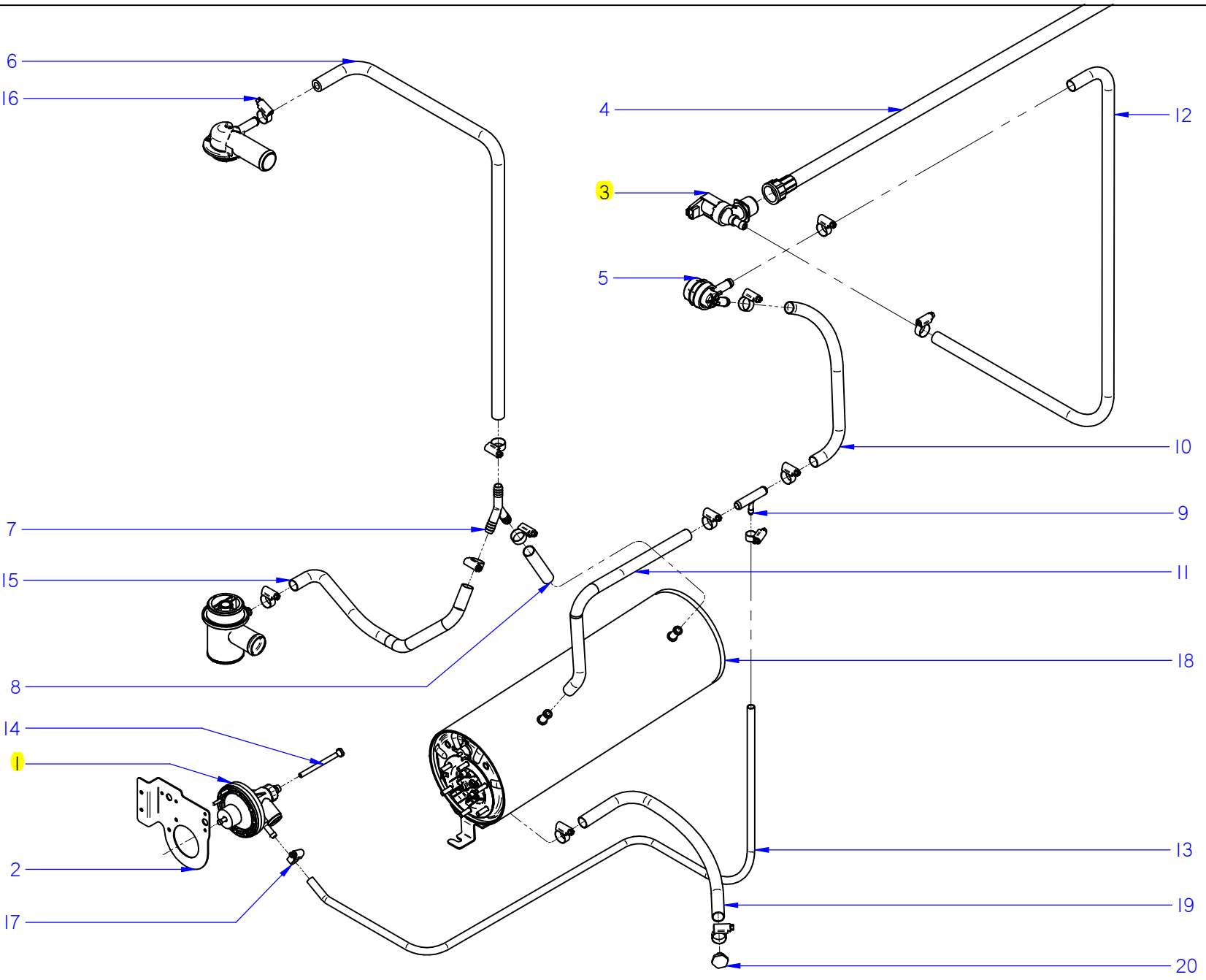
ITEM MARCADO EN COLOR = REPUESTO RECOMENDADO
 COLOURED ITEM = RECOMMENDED SPARE PART

N plano / Drawing N.	Firma / Signature	Fecha / Date	Aparato / Appliance	DESAGÜE / DRAINING PART	Lamina / Sheet	Fagor Industrial S.Coop. FAGOR
C-3288	Iban R.	10-2014	LAVAVAJILLAS CO-500-501 DISHWASHER		3	Oñate



ITEM MARCADO EN COLOR = REPUESTO RECOMENDADO
 COLOURED ITEM = RECOMMENDED SPARE PART

N plano / Drawing N.	Firma / Signature	Fecha / Date	Aparato / Appliance	DESAGÜE / DRAINING PART	Lamina / Sheet	Fagor Industrial S.Coop. FAGOR
C-3289	Iban R	11-2014	LAVAVAJILLAS COP-500-501 B DISHWASHER		4	
						Onote



ITEM MARCADO EN COLOR = REPUESTO RECOMENDADO
 COLOURED ITEM = RECOMMENDED SPARE PART

N plano / Drawing N.	Firma / Signature	Fecha / Date	Aparato / Appliance	ACABADO / FINISHING PART	Lamina / Sheet	Fogor / Industrial s. Coop.
C-3290	Iban R	2014-10	LAVAVAJILLAS CO-500-501 DISHWASHER		5	FAGOR

N plano / Drawing N.
C-3290-1 Iban R. 2014-10

Firma /
Signature

Fecha / Date

Aparato / Appliance

LAVAVAJILLAS CO-501 SOFT DISHWASHER

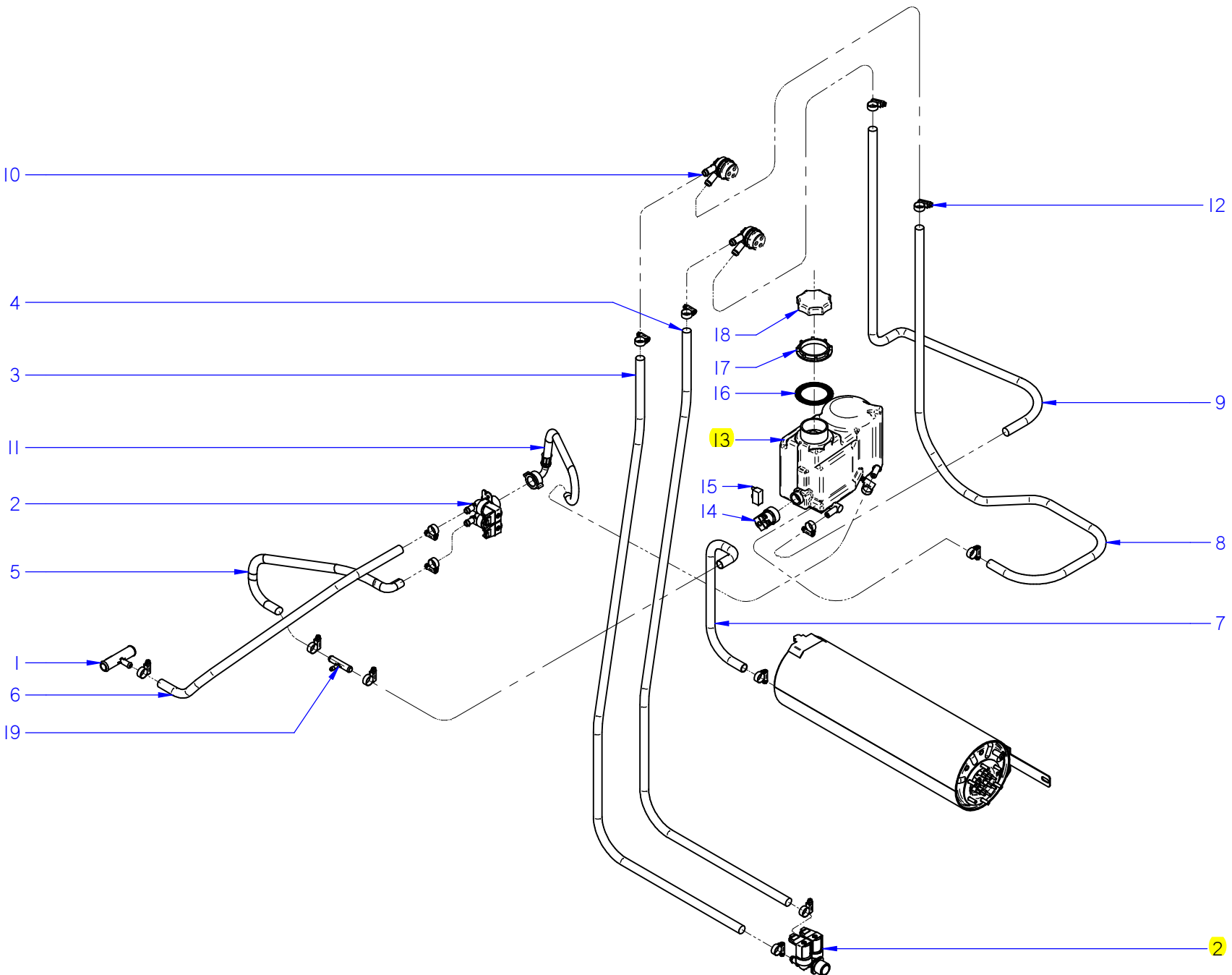
DESCALIFICADOR / SOFTENER

Lamina / Sheet

6

Fagor Industrial S. Coop. **FAGOR**
Omate

ITEM MARCADO EN COLOR = REPUESTO RECOMENDADO
COLOURED ITEM = RECOMMENDED SPARE PART



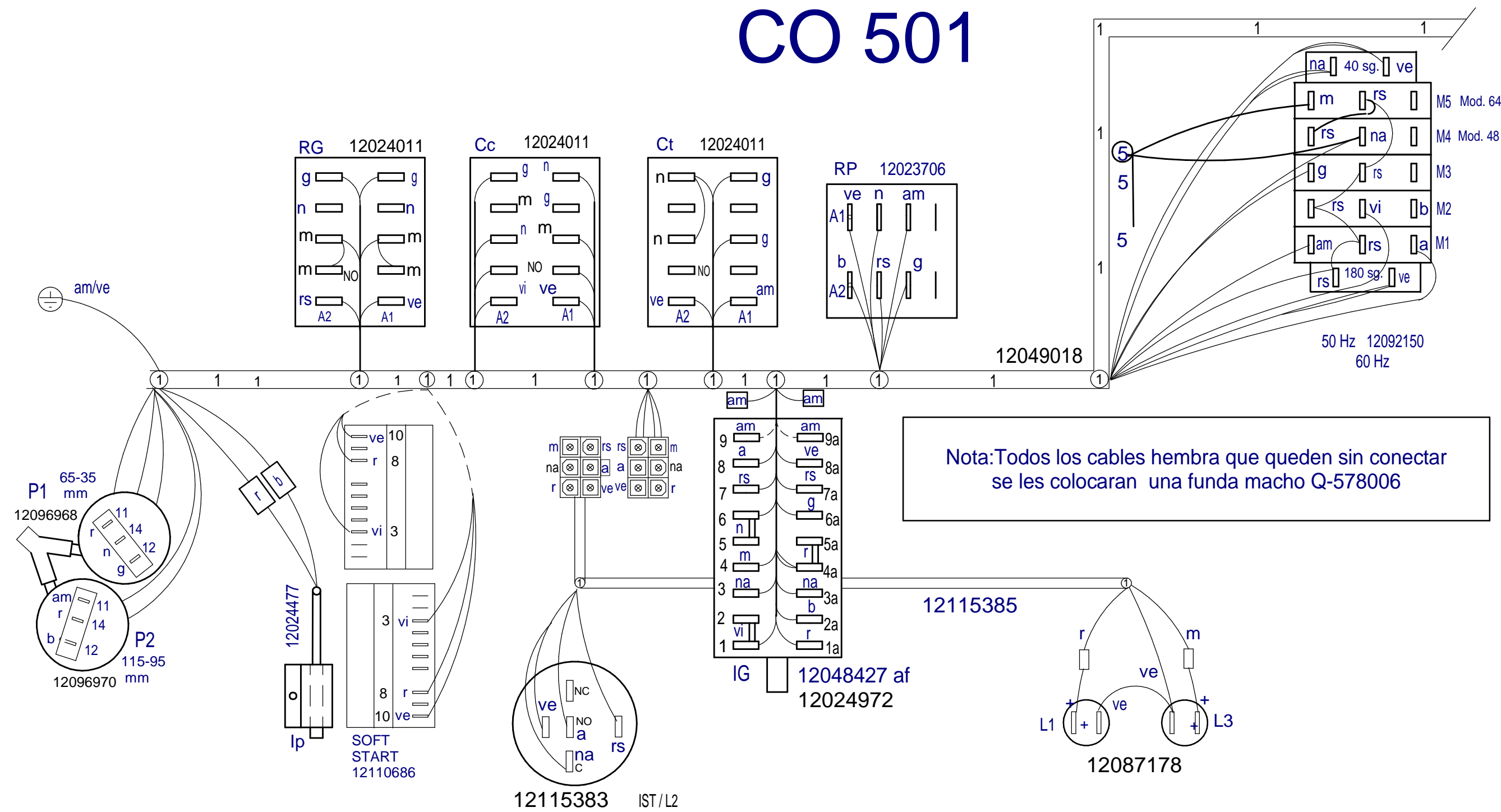
ZONA / ZONE	CONJUNTO ELECTRICO / ELECTRICAL PART	LÁMINA / DRAWING	C-3291	FAGOR 
--------------------	---	-------------------------	---------------	--

ITEM	REFERENCIA REFERENCE	DENOMINACIÓN	DENOMINATION	CO-500-501	CO-501 SOFT							RECOMMENDED	ELIMINADO ELIMINATED	INTRODUCIDO INTRODUCED	NOTAS / NOTES
1	12040858	TERMOSTATO REGULABLE 85°C	REGULABLE THERMOSTAT 85°C	2	2							X			
2	12098745	RESISTENCIA CALDERIN 6KW	BOILER'S RESISTOR 6KW	1	1							X			
3	12096597	TERM.SEG. 261B 110°C FAST 90	SAFETY THER. 261B 110°C FAST 90	2	2							X			
4	12024230	RETENEDOR DE CABLE	CABLE RETAINER	1	1										
5	12093146	CAMPANA TANQUE	TUB'S PRESSURE CHAMBER	1	1							X			
6	12048965	RESISTENCIA TANQUE 2800W	TUB'S RESISTOR 2800W	1	1							X			
7	12092556	EMBELLECEDOR CO-501	CO-501 STICKER	1	-							X			
7	12092560	EMBELLECEDOR CO-501 SOFT	CO-501 SOFT STICKER	-	1							X			
8	12115972	CONJUNTO MANDO CONCEPT	CONCEPT KNOB ASSEMBLED	1	1							X			
9	12047982	SOP. COMPONENTES ELECTRICOS	ELECTRIC COMPONENTS SUPPORT	1	1										
10	12024011	CONTACTOR 230 V. 50-60 HZ	230 V. 50-60 HZ CONTACTOR	3	3							X			
11	12096970	PRESOSTATO 1,40-6,30 BAR SIMPLE	1,40-6,30 BAR PRESSURE SWITCH	1	1							X			
12	12098323	SOPORTE PRESOSTATO AF	PRESSURE SWITCH SUPPORT	1	1										
13	12096968	PRESOSTATO 1,40-6,30 BAR SIMPLE	1,40-6,30 BAR PRESSURE SWITCH	1	1							X			
14	12024445	CONMUTADOR DE FUNCIONES	SWITCH FOR FUNCTIONS	1	1							X			
15	12024867	PROGRAMADOR REGENERACION	REGENERATION PROGRAMMER	-	1							X			
16	12025183	REGLETA AUXILIAR FV-122	AUX. CONNECTION STRIP FV-122	1	1										
17	12023706	RELE 230V. 16A 50-60 HZ	230V. 16A 50-60 HZ RELAY	1	1							X			
18	12024066	AMARRE INTERRUPTOR MAGNETICO	MAGNETIC SWITCH'S SUPPORT	1	1										
19	12024477	INTERRUPTOR MAGNETICO	MAGNETIC SWITCH	1	1							X			
20	12110686	SOFT START AF	SOFT START AF	1	1							X			
21	12023510	RACORD EN Y	Y FITTING	1	1										
22	11000066	TUBO GOMA NEGRO D 8*4	BLACK RUBBER PIPE D 8*4	1	1										
23	12023707	BRIDA ELASTICA TUBO	ELASTIC CLAMP FOR PIPES	2	2										
24	12087178	PILOTO BLANCO	WHITE PILOT	2	3										
25	12115383	PULSADOR 220V AC 5A 1VIA 1POS	220V AC 5A 1WAY 1POS PUSHBUTTON	1	1							X			
26	12092150	PROGRAMADOR 230V AC 50Hz 5LEV	PROGRAMMER 230 AC 50Hz 16A 5LEV	1	1							X			
27	12044848	REGULADOR A 60°C Tt DE 85°C	60°C Tt DE 85°C REGULATOR	1	1										
28	12093145	JUNTA TORICA CAMPANA	PRESSURE CHAMBER'S O-RING	1	1										
29	12010051	JUNTA TORICA RESIST. CALDERIN	BOILER'S RESISTOR'S O-RING	1	1							X			
30	12024516	JUNTA CONMUTADOR	FUNCTIONS SWITCH SEAL	1	1										
31	12024110	REGLETA DE CONEXIONES	CONNECTION STRIP	1	1										

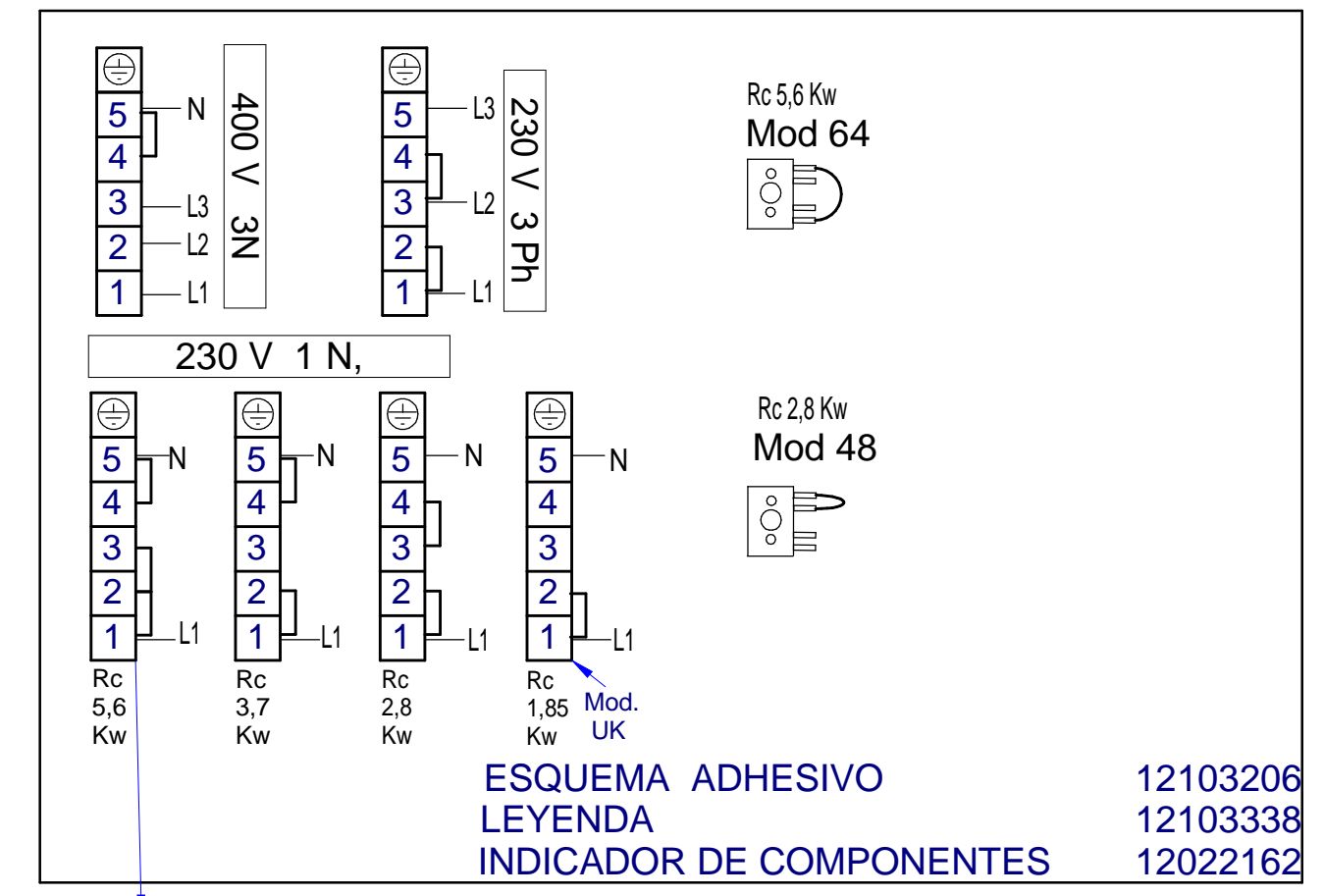
ZONA / ZONE	RECOMENDADOS / RECOMMENDED	LÁMINA / DRAWING	FAGOR 
-------------	----------------------------	------------------	---

ITEM	REFERENCIA REFERENCE	DENOMINACIÓN	DENOMINATION	CO-501 SOFT									ELIMINADO ELIMINATED	INTRODUCIDO INTRODUCED	NOTAS / NOTES
1	12024376	CONDENSADOR 10MF	10MF CAPACITOR	1											C-3287
4	12043287	MOTOBOMBA 590KW 50Hz	WASHIG PUMP 590KW 50Hz	1											C-3287
4	12102834	MOTOBOMBA 590KW 60Hz	WASHIG PUMP 590KW 60Hz	1											C-3287
5	12115471	MANGUERA DESAGÜE	DRAINING PIPE	1											C-3288
1	12045206	DOSIFICADOR ABRILL. AQUA	AQUA RINSE AID DISPENSER	1											C-3290
2	12110531	E.V.DOBLE 220/240V 50/60Hz	DOUBLE EV 220/240V 50/60Hz	2											C-3290-1
13	12044603	DESCALCIFICADOR COMPLETO	COMPLETE SOFTENER	1											C-3290-1
1	12040858	TERMOSTATO REGULABLE 85°C	REGULABLE THERMOSTAT 85°C	2											C-3291
2	12098745	RESISTENCIA CALDERIN 6KW	BOILER'S RESISTOR 6KW	1											C-3291
3	12096597	TERM_SEG_261B_110°C_FAST_90	SAFETY THER. 261B_110°C_FAST_90	2											C-3291
5	12093146	CAMPANA TANQUE	TUB'S PRESSURE CHAMBER	1											C-3291
6	12048965	RESISTENCIA TANQUE 2800W	TUB'S RESISTOR 2800W	1											C-3291
7	12092560	EMBELLECEDOR CO-501 SOFT	CO-501 SOFT STICKER	1											C-3291
8	12115972	CONJUNTO MANDO CONCEPT	CONCEPT KNOB ASSEMBLED	1											C-3291
10	12024011	CONTACTOR 230 V. 50-60 HZ	230 V. 50-60 HZ CONTACTOR	3											C-3291
11	12096970	PRESOSTATO 1,40-6,30 BAR SIMPLE	1,40-6,30 BAR PRESSURE SWITCH	1											C-3291
13	12096968	PRESOSTATO 1,40-6,30 BAR SIMPLE	1,40-6,30 BAR PRESSURE SWITCH	1											C-3291
14	12024445	CONMUTADOR DE FUNCIONES	SWITCH FOR FUNCTIONS	1											C-3291
15	12024867	PROGRAMADOR REGENERACION	REGENERATION PROGRAMMER	1											C-3291
17	12023706	RELE 230V. 16A 50-60 HZ	230V. 16A 50-60 HZ RELAY	1											C-3291
19	12024477	INTERRUPTOR MAGNETICO	MAGNETIC SWITCH	1											C-3291
20	12110686	SOFT START AF	SOFT START AF	1											C-3291
25	12115383	PULSADOR 220V AC 5A 1VIA 1POS	220V AC 5A 1WAY 1POS PUSHBUTTON	1											C-3291
26	12092150	PROGRAMADOR 230V AC 50Hz 5LEV	PROGRAMMER 230 AC 50Hz 16A 5LEV	1											C-3291
29	12010051	JUNTA TORICA RESIST. CALDERIN	BOILER'S RESISTOR'S O-RING	1											C-3291

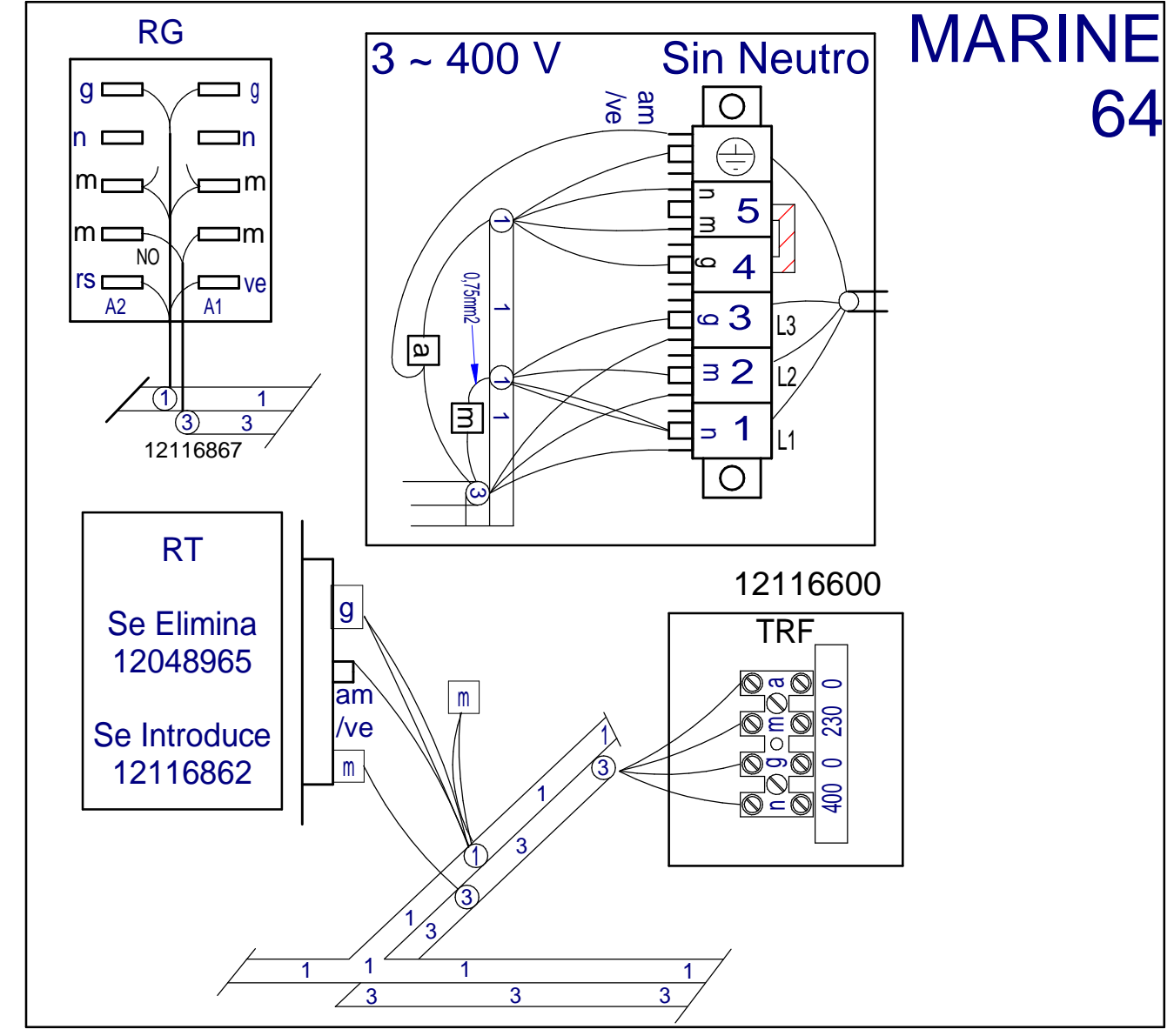
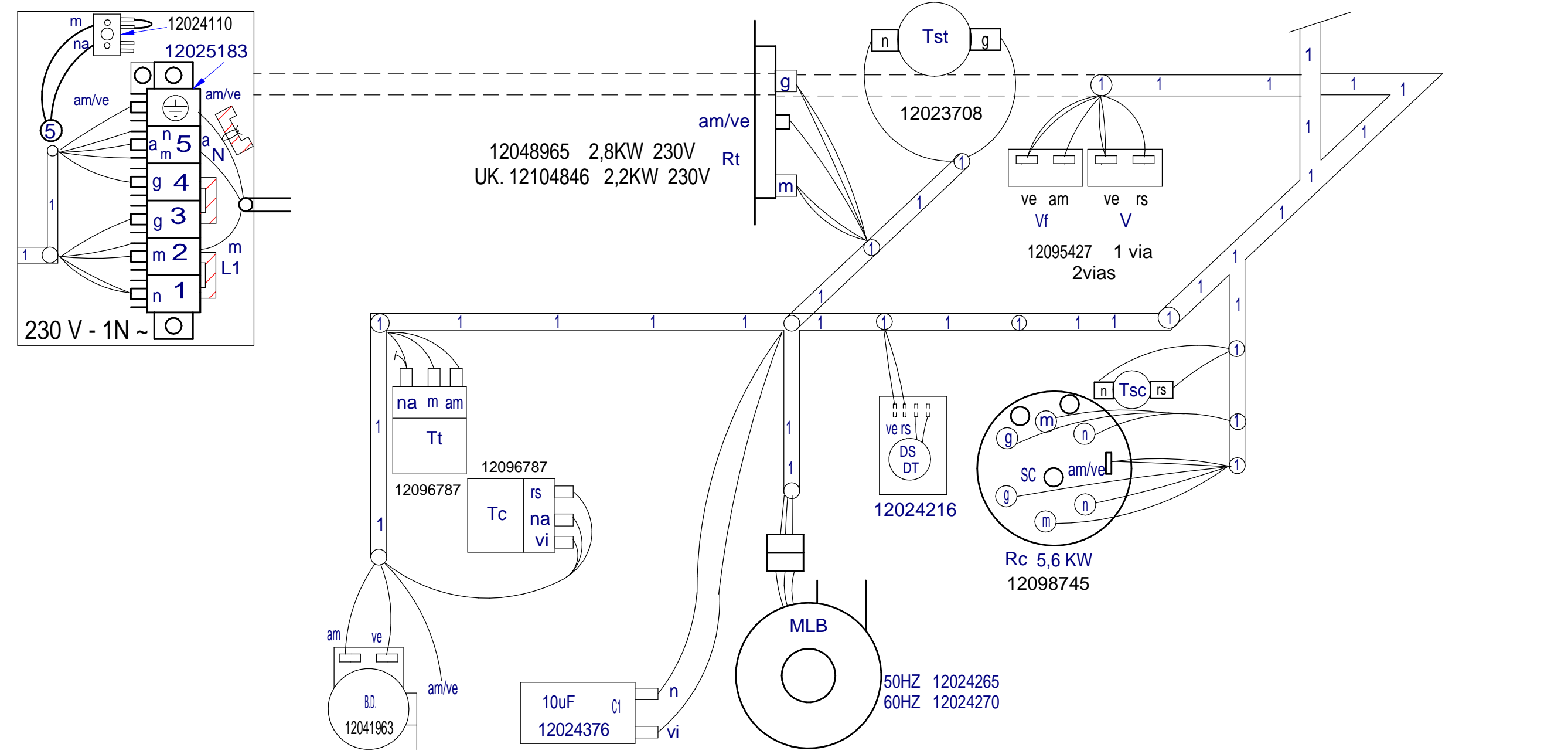
CO 501



Nota: Todos los cables hembra que queden sin conectar se les colocaran una funda macho Q-578006



Conexion FRCO 48 PROVISIONAL para RC monofasica



Plano Montaje CO 500, 501 (48, 64)		12111171																																																																									
Nº	TITLE	QTY	CODE	MATERIAL	TREATMENT																																																																						
GENERAL TOLERANCES: ISO 2768-1 Very Coarse																																																																											
<table border="1"> <tr> <th>LINEAL</th> <th>Fine</th> <th>Medium</th> <th>Coarse</th> <th>Very Coarse</th> <th>ANGULAR</th> <th>Fine</th> <th>Medium</th> <th>Coarse</th> <th>Very Coarse</th> </tr> <tr> <td><2mm</td> <td>±0.05</td> <td>±0.10</td> <td>±0.15</td> <td>±0.20</td> <td><10mm</td> <td>±1'</td> <td>±1'</td> <td>±1.50'</td> <td>±2'</td> </tr> <tr> <td>2-5mm</td> <td>±0.05</td> <td>±0.10</td> <td>±0.20</td> <td>±0.30</td> <td>10-50mm</td> <td>±1'</td> <td>±1'</td> <td>±2'</td> <td>±2'</td> </tr> <tr> <td>5-30mm</td> <td>±0.10</td> <td>±0.20</td> <td>±0.30</td> <td>±0.50</td> <td>50-120mm</td> <td>±2'</td> <td>±3'</td> <td>±4'</td> <td>±4'</td> </tr> <tr> <td>30-120mm</td> <td>±0.15</td> <td>±0.30</td> <td>±0.50</td> <td>±0.80</td> <td>120-400mm</td> <td>±10'</td> <td>±15'</td> <td>±30'</td> <td>±30'</td> </tr> <tr> <td>120-400mm</td> <td>±0.20</td> <td>±0.50</td> <td>±1.00</td> <td>±1.20</td> <td>400-1000mm</td> <td>±30'</td> <td>±60'</td> <td>±120'</td> <td>±120'</td> </tr> <tr> <td>400-1000mm</td> <td>±0.30</td> <td>±0.80</td> <td>±1.50</td> <td>±2.00</td> <td>1000-2000mm</td> <td>±50'</td> <td>±120'</td> <td>±240'</td> <td>±240'</td> </tr> </table>						LINEAL	Fine	Medium	Coarse	Very Coarse	ANGULAR	Fine	Medium	Coarse	Very Coarse	<2mm	±0.05	±0.10	±0.15	±0.20	<10mm	±1'	±1'	±1.50'	±2'	2-5mm	±0.05	±0.10	±0.20	±0.30	10-50mm	±1'	±1'	±2'	±2'	5-30mm	±0.10	±0.20	±0.30	±0.50	50-120mm	±2'	±3'	±4'	±4'	30-120mm	±0.15	±0.30	±0.50	±0.80	120-400mm	±10'	±15'	±30'	±30'	120-400mm	±0.20	±0.50	±1.00	±1.20	400-1000mm	±30'	±60'	±120'	±120'	400-1000mm	±0.30	±0.80	±1.50	±2.00	1000-2000mm	±50'	±120'	±240'	±240'
LINEAL	Fine	Medium	Coarse	Very Coarse	ANGULAR	Fine	Medium	Coarse	Very Coarse																																																																		
<2mm	±0.05	±0.10	±0.15	±0.20	<10mm	±1'	±1'	±1.50'	±2'																																																																		
2-5mm	±0.05	±0.10	±0.20	±0.30	10-50mm	±1'	±1'	±2'	±2'																																																																		
5-30mm	±0.10	±0.20	±0.30	±0.50	50-120mm	±2'	±3'	±4'	±4'																																																																		
30-120mm	±0.15	±0.30	±0.50	±0.80	120-400mm	±10'	±15'	±30'	±30'																																																																		
120-400mm	±0.20	±0.50	±1.00	±1.20	400-1000mm	±30'	±60'	±120'	±120'																																																																		
400-1000mm	±0.30	±0.80	±1.50	±2.00	1000-2000mm	±50'	±120'	±240'	±240'																																																																		
GENERAL TOLERANCE FOR FORM AND POSITION: ISO 2768-2																																																																											
LAVAVAJILLAS																																																																											
DESIGNED BY: M.Maillou		VALIDATED BY: A.Gallastegi		DATE: 01.04.2014																																																																							
SHEET: 1 / 1		SCALE: 1:1		MAT STATUS: ONA																																																																							

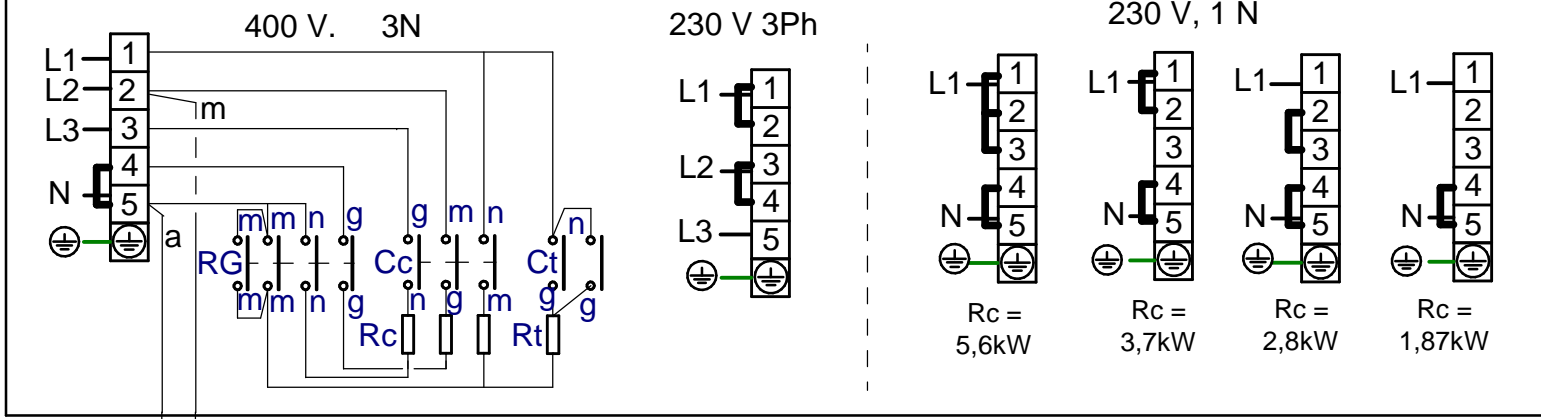
12111171

REVISION

PROPOSED BY: - ISSUE DATE:

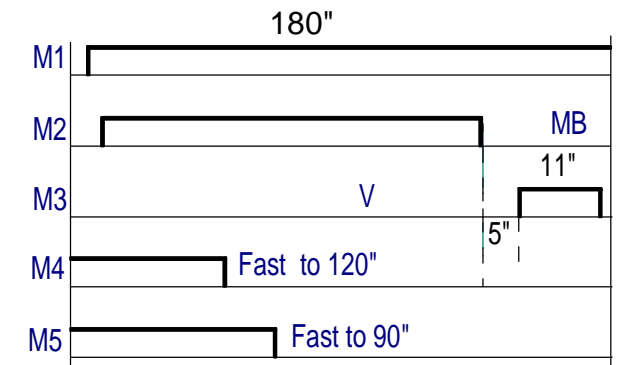
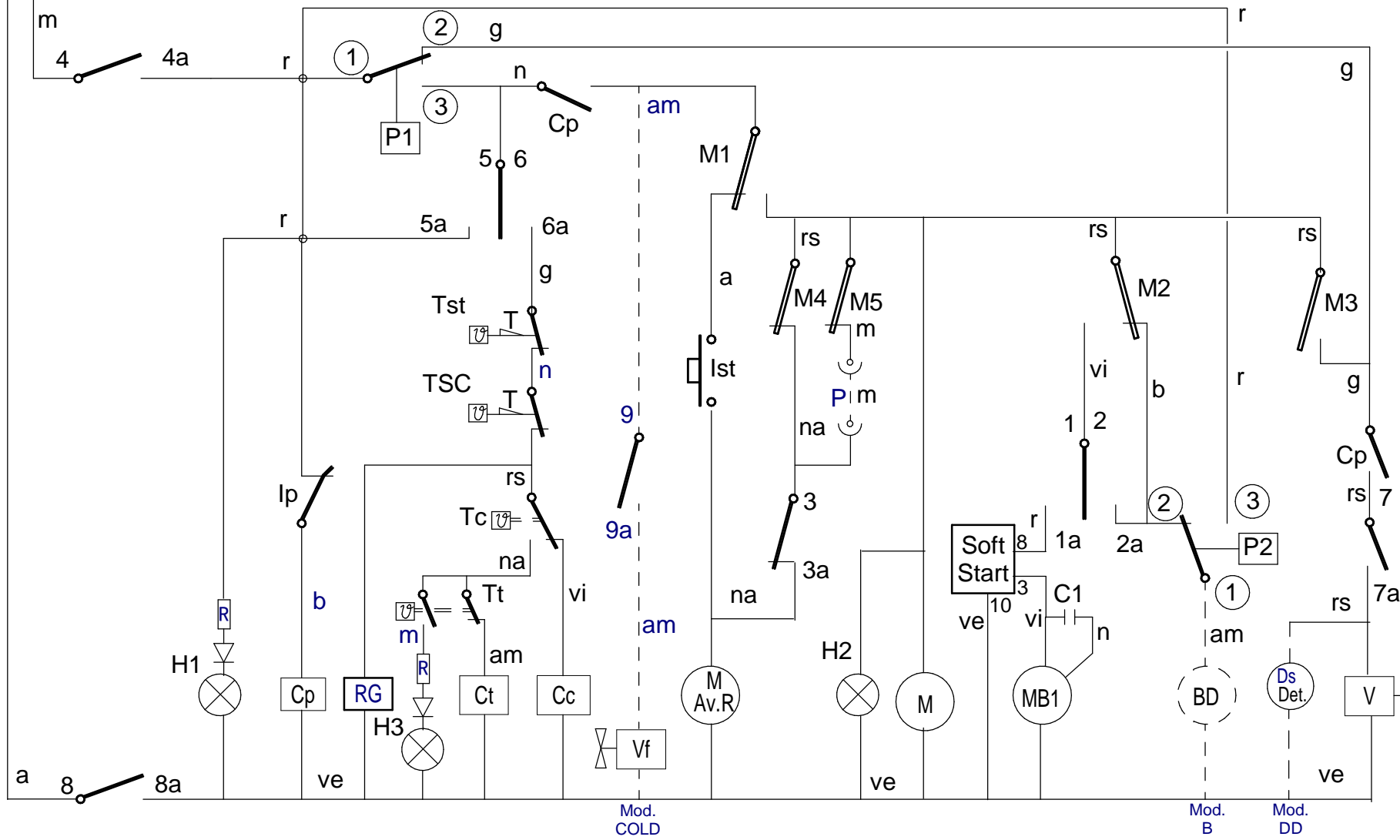
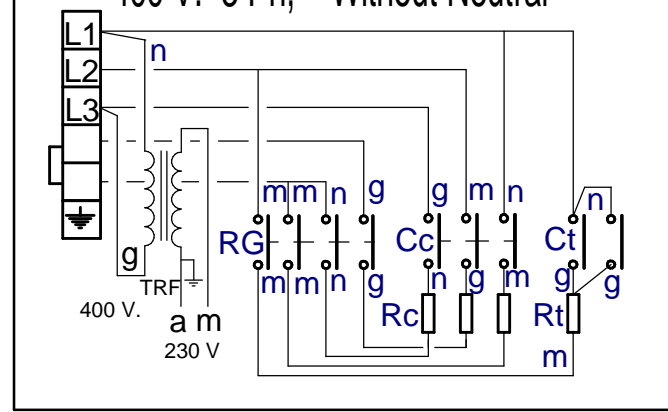
MARINE 64

CO 501, B, DD, COLD

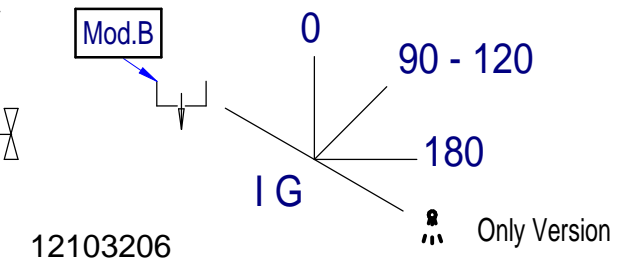


CO MARINE, 501

400 V. 3 Ph, Without Neutral



IG	1-1a	2-2a	3-3a	4-4a	5-5a	6-6a	7-7a	8-8a	9-9a
0		X		X	X			X	
90-120	X		X	X		X	X	X	
180	X			X		X	X	X	
Only Version	X			X		X	X	X	X



ESQUEMA TEORICO CO 501, B, DD		12103206																																									
Nº	TITLE	QTY	CODE																																								
GENERAL TOLERANCES: ISO 2768-1 Very Coarse		MATERIAL																																									
<table border="1"> <thead> <tr> <th>LINEAR</th> <th>Fine</th> <th>Medium</th> <th>Coarse</th> <th>Very Coarse</th> </tr> </thead> <tbody> <tr> <td><3mm</td> <td>±0.05</td> <td>±0.10</td> <td>±0.15</td> <td>±0.20</td> </tr> <tr> <td>3-6mm</td> <td>±0.05</td> <td>±0.10</td> <td>±0.20</td> <td>±0.30</td> </tr> <tr> <td>6-30mm</td> <td>±0.10</td> <td>±0.20</td> <td>±0.50</td> <td>±1.00</td> </tr> <tr> <td>30-120mm</td> <td>±0.15</td> <td>±0.30</td> <td>±0.80</td> <td>±1.20</td> </tr> <tr> <td>120-400mm</td> <td>±0.20</td> <td>±0.50</td> <td>±1.20</td> <td>±2.00</td> </tr> <tr> <td>400-1000mm</td> <td>±0.30</td> <td>±0.80</td> <td>±2.00</td> <td>±3.00</td> </tr> <tr> <td>1000-2000mm</td> <td>±0.50</td> <td>±1.20</td> <td>±3.00</td> <td></td> </tr> </tbody> </table>		LINEAR	Fine	Medium	Coarse	Very Coarse	<3mm	±0.05	±0.10	±0.15	±0.20	3-6mm	±0.05	±0.10	±0.20	±0.30	6-30mm	±0.10	±0.20	±0.50	±1.00	30-120mm	±0.15	±0.30	±0.80	±1.20	120-400mm	±0.20	±0.50	±1.20	±2.00	400-1000mm	±0.30	±0.80	±2.00	±3.00	1000-2000mm	±0.50	±1.20	±3.00			
LINEAR	Fine	Medium	Coarse	Very Coarse																																							
<3mm	±0.05	±0.10	±0.15	±0.20																																							
3-6mm	±0.05	±0.10	±0.20	±0.30																																							
6-30mm	±0.10	±0.20	±0.50	±1.00																																							
30-120mm	±0.15	±0.30	±0.80	±1.20																																							
120-400mm	±0.20	±0.50	±1.20	±2.00																																							
400-1000mm	±0.30	±0.80	±2.00	±3.00																																							
1000-2000mm	±0.50	±1.20	±3.00																																								
LAVAVAJILLAS		DESIGNED BY	VALIDATED BY																																								
ISO 2768-2		M.MAILLO	X.Iruretagoyena																																								
12103206		DATE	05.02.2014																																								
REVISION		SHEET:	1 / 1																																								
PROPOSED BY:		M.MAILLO	SCALE:																																								
		ISSUE DATE:																																									

