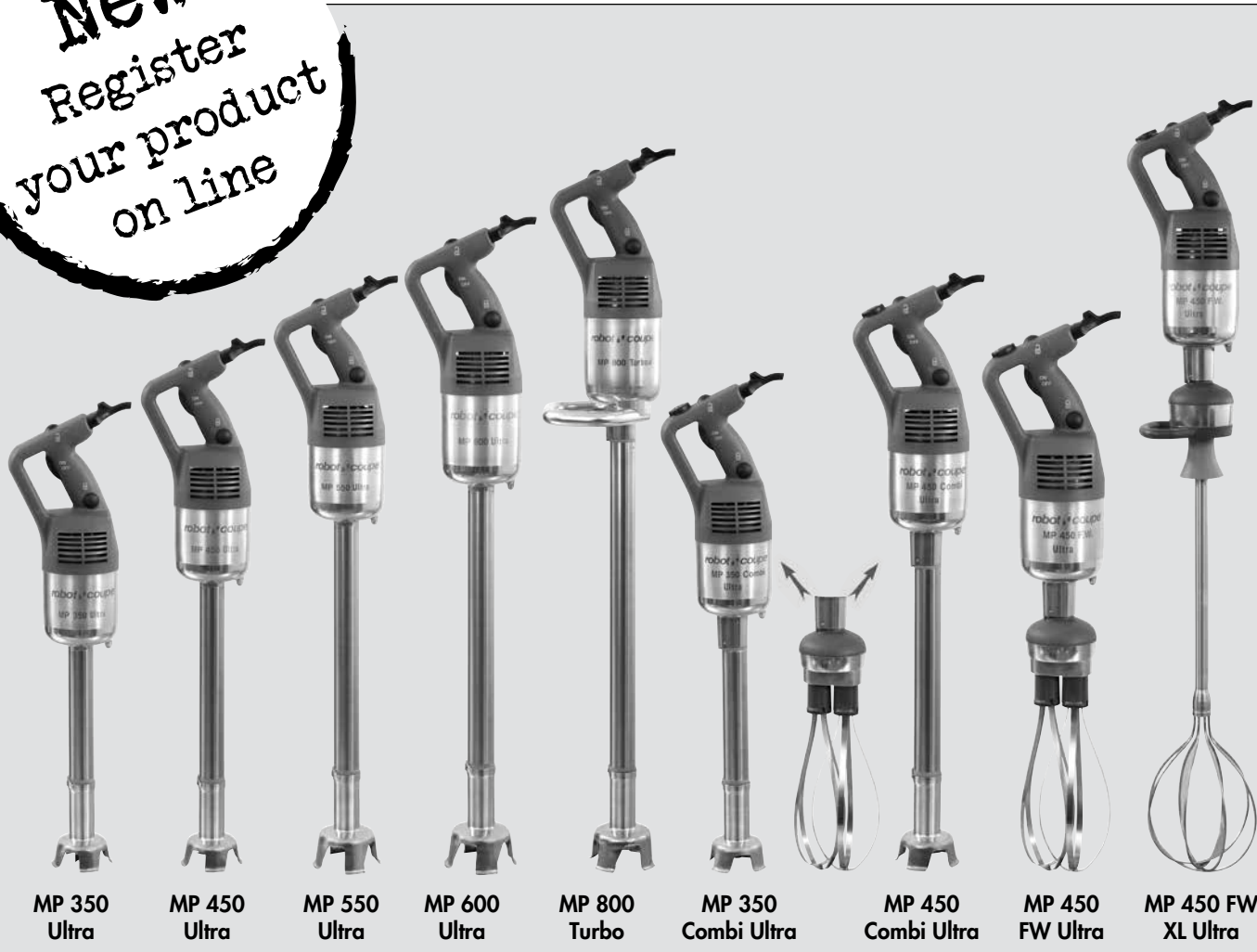
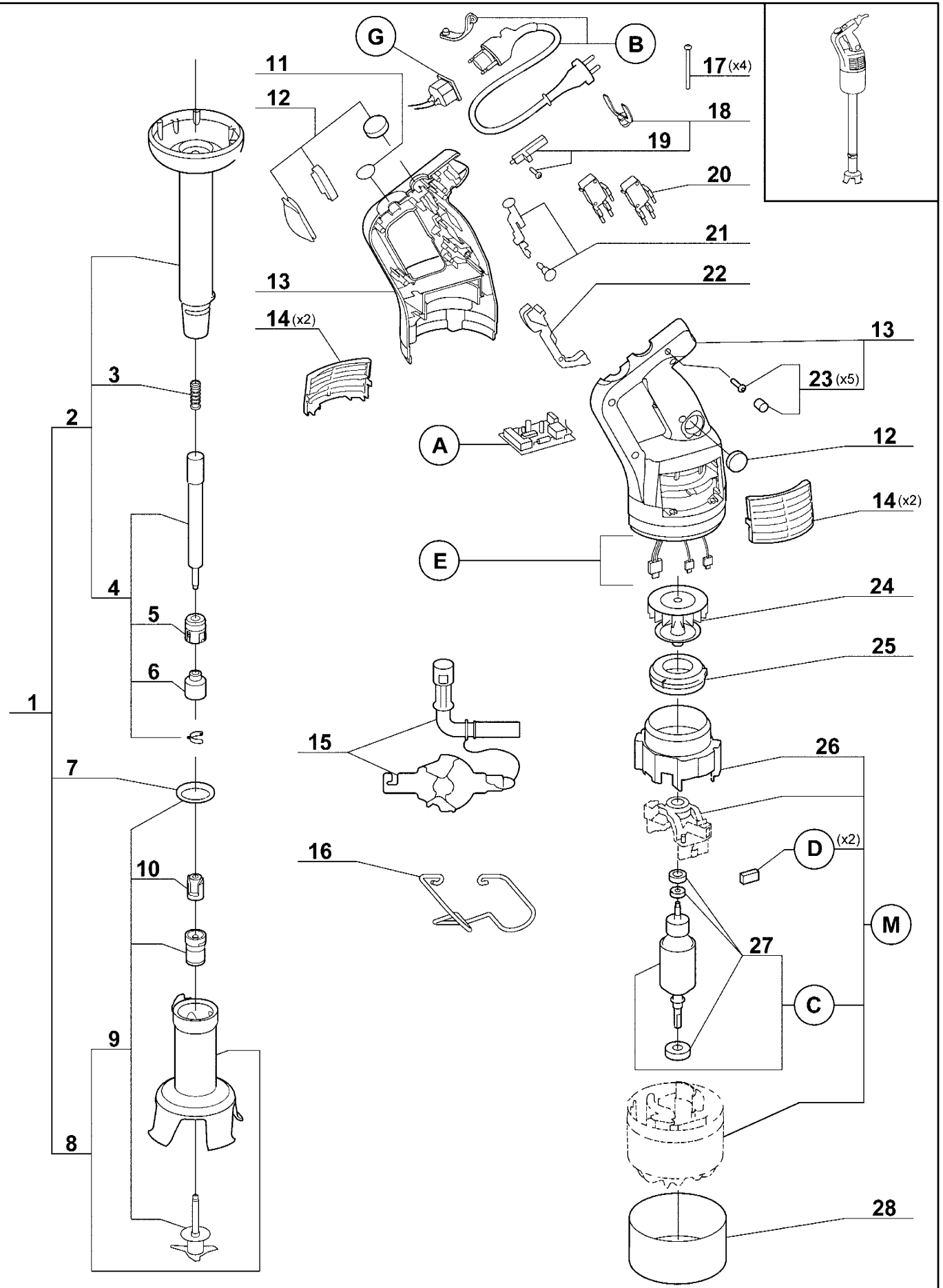


# robot coupe®

**New**  
Register  
your product  
on line



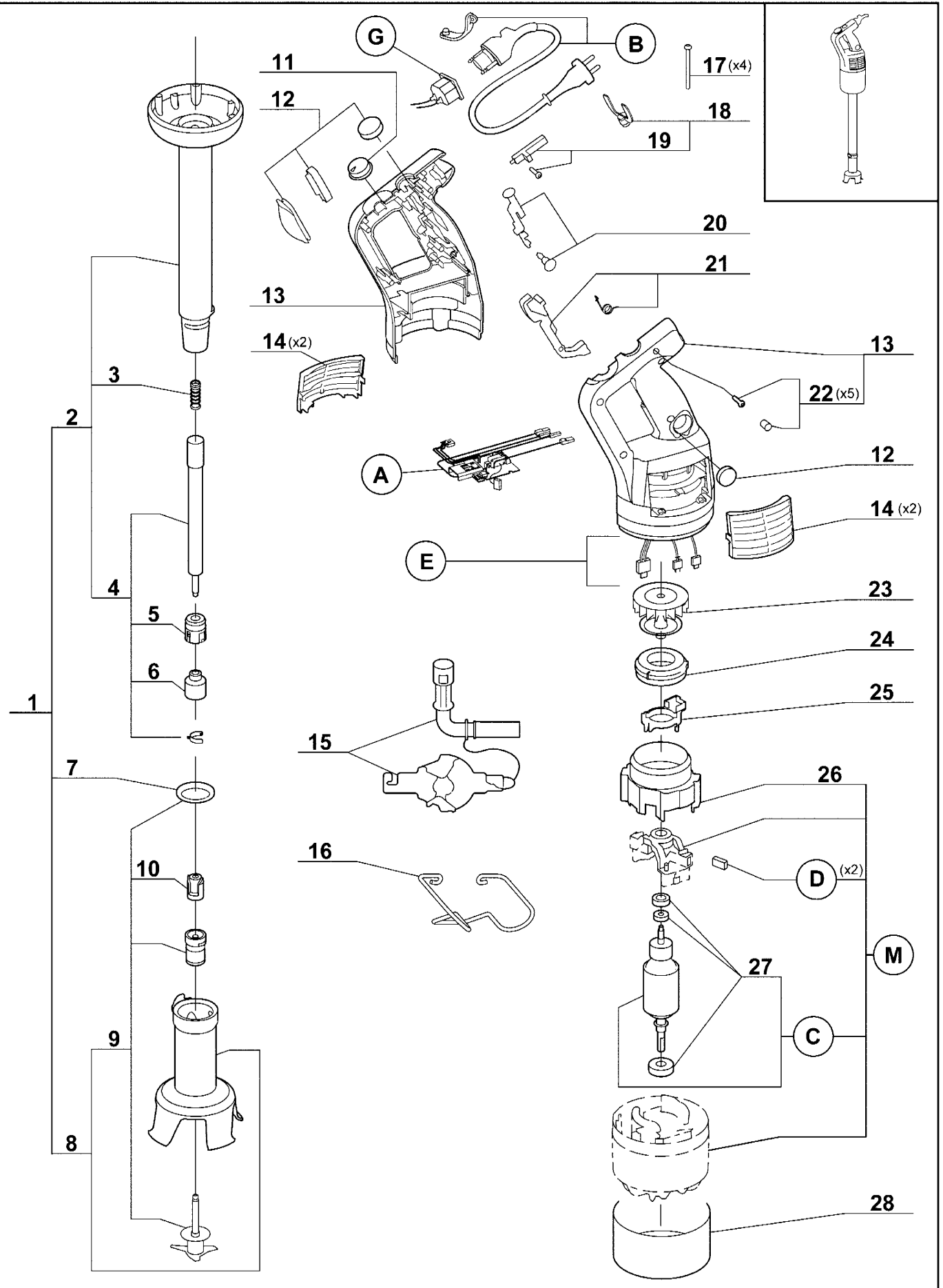
- **MP 350 Ultra**
- **MP 350 V.V. Ultra**
- **MP 450 Ultra**
- **MP 450 V.V. Ultra**
- **MP 550 Ultra**
- **MP 600 Ultra**
- **MP 800 Turbo**
- **MP 350 Combi Ultra**
- **MP 450 Combi Ultra**
- **MP 450 FW Ultra**
- **MP 450 FW XL Ultra**



Index	Pièce / Part	Désignation	Description
1	39 331	PIED COMPLET MP350 A	MP350A COMPLETE FOOT
2	39 332	PIED MP350 A EQUIPE	MP350 A FOOT
3	89 619	RESSORT PIED MP	MP FOOT SPRING
4	39 333	ARBRE D'ENTRAINEMENT MP350 A	MP350 A DRIVING SHAFT
5	39 334	BAGUE PIED MP A (roulement-joint à lèvres)	MPA FOOT BEARING RACE
6	89 624	CAGE D'ENTRAINEMENT INOX	STAINLESS STEEL DRIVING FRAME
7	89 628	JOINT DE PIED MP/CMP	MP/CMP FOOT SEAL
8	39 335	CLOCHE INOX MP450A EQU	MP450 A BELL COVER
9	39 337	COUTEAU MP450 A	MP450 A BLADE
10	89 625	MOYEU D'ENTRAINEMENT MP A	MP ADRIVING HUB
11	89 360	KIT BOUCHON POIGNEE +VIS+CACHE VIS	CAP HANDLE KIT +SCREW+CAP SCREW
12	89 533	KIT ETANCHEITE MP CMP+VIS+CACHE VIS	MP CMP WATERPROOFNESS KIT
13	89 145	POIGNEES MP (G+D)+VIS+CACHE	HANDLES MP (L+R)+SCREW+ CAP SCREW
14	89 508	KIT GRILLES MP (x2)	MP VENT COVERS KIT (x2)
15	89 662	OUTIL DEMONTAGE MP/CMP	MP/CMP DISMOUNT TOOL
16	89 629	SUPPORT MURAL MP	MP WALL SUPPORT
17	89 621	VIS M4x105 MP (x4)	MP SCREW M4x105 (x4)
18	89 156	KIT LEVIER DE VERROUILLAGE+VIS+CACHE VIS	LOCKING ARM+SCREW+CAP SCREW KIT
19	89 155	KIT LEVIER DE PRESENCE+VIS+CACHE VIS	PRESENCE ARM+SCREW+CAP SCREW KIT
20	89 365	MICRO INTERRUPTEUR +VIS+CACHE VIS	MICROSWITCH+SCREW+CAP SCREW
21	89 530	KIT BOUTON MP/CMP +VIS+CACHE VIS	MP/CMP KNOBS KIT +SCREW+CAP SCREW
22	89 364	KIT LEVIER DE COMMANDE+VIS+CACHE VIS	COMMAND ARM KIT+SCREW+CAP SCREW
23	89 532	KIT VIS POIG MP/CMP (x5)	MP/CMP HANDLE SCREW (x5)
24	89 572	VENTILATEUR DEFLEC MP	MP VENTILATOR
25	89 571	COURONNE CANALISATION MP	MP AIR DUCT
26	89 569	CONDUIT VENTILATEUR MP	MP VENTILATOR PIPE
27	89 507	ROULEMENT MOTEUR MP	MP MOTOR BEARING
28	89 031	VIROLE HAUTE MP350 Ultra	MP350 Ultra HIGH FERRULE

Index	Désignation	Description
<b>A</b>	PLATINE	CIRCUIT BOARD
<b>B</b>	CABLE D'ALIMENTATION	POWER CORD
<b>C</b>	INDUIT	INDUCED CIRCUIT
<b>D</b>	CHARBONS (x2)	BRUSHES (x2)
<b>E</b>	FILS ELECTRIQUES	ELECTRICAL WIRING
<b>G</b>	CONNECTEUR	CONNECTOR
<b>M</b>	MOTEUR	MOTOR

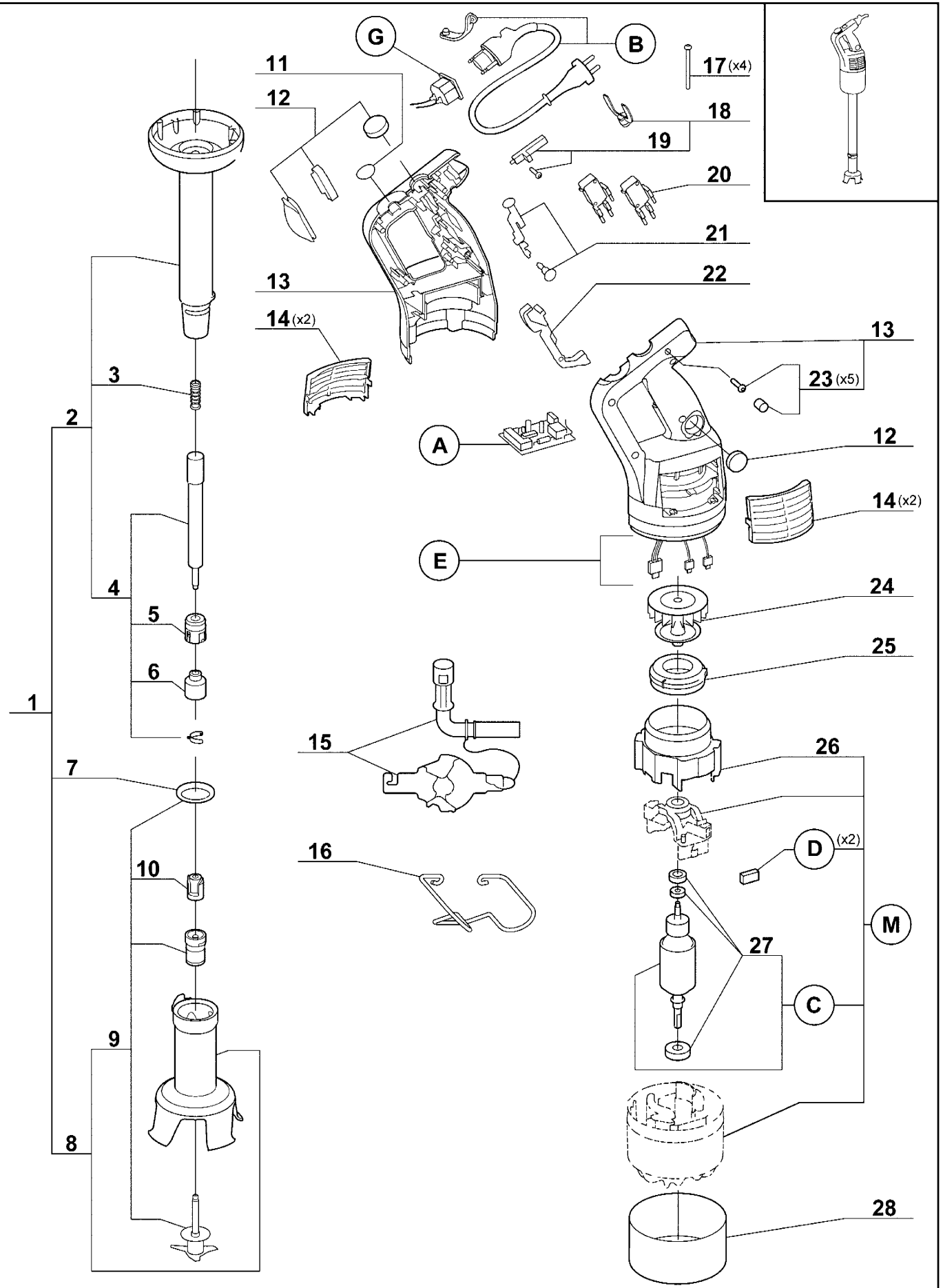
Machine	Voltage	A	B	C	D	E	G	M
34 806 Suisse	220-240/50-60/1	89 392	89 139	89 518	89 535	89 425	89 148	89 040
34 800			89 136					
34 800 BRA			89 141					
34 801 UK			89 137					
34 802 Aust			89 138					
34 805	120/60/1	89 393	89 143	89 519	89 537	89 426	89 149	89 044
34 809 Japon			89 144					



Index	Pièce / Part	Désignation	Description
1	39 331	PIED COMPLET MP350 A	MP350A COMPLETE FOOT
2	39 332	PIED MP350 A EQUIPE	MP350 A FOOT
3	89 619	RESSORT PIED MP	MP FOOT SPRING
4	39 333	ARBRE D'ENTRAINEMENT MP350 A	MP350 A DRIVING SHAFT
5	39 334	BAGUE PIED MP A (roulement-joint à lèvres)	MPA FOOT BEARING RACE
6	89 624	CAGE D'ENTRAINEMENT INOX	STAINLESS STEEL DRIVING FRAME
7	89 628	JOINT DE PIED MP/CMP	MP/CMP FOOT SEAL
8	39 335	CLOCHE INOX MP450A EQU	MP450 A BELL COVER
9	39 337	COUTEAU MP450 A	MP450 A BLADE
10	89 625	MOYEU D'ENTRAINEMENT MP A	MP ADRIVING HUB
11	89 154	BOUTON VARIATEUR MP/CMP+VIS+CACHE VIS	MP/CMP VARIATOR SWITCH+SCREW+CAP SCREW
12	89 533	KIT ETANCHEITE MP CMP+VIS+CACHE VIS	MP CMP WATERPROOFNESS KIT
13	89 145	POIGNEES MP (G+D)+VIS+CACHE	HANDLES MP (L+R)+SCREW+ CAP SCREW
14	89 508	KIT GRILLES MP (x2)	MP VENT COVERS KIT (x2)
15	89 662	OUTIL DEMONTAGE MP/CMP	MP/CMP DISMOUNT TOOL
16	89 629	SUPPORT MURAL MP	MP WALL SUPPORT
17	89 621	VIS M4x105 MP (x4)	MP SCREW M4x105 (x4)
18	89 156	KIT LEVIER DE VERROUILLAGE+VIS+CACHE VIS	LOCKING ARM+SCREW+CAP SCREW KIT
19	89 155	KIT LEVIER DE PRESENCE+VIS+CACHE VIS	PRESENCE ARM+SCREW+CAP SCREW KIT
20	89 530	KIT BOUTON MP/CMP +VIS+CACHE VIS	MP/CMP KNOBS KIT +SCREW+CAP SCREW
21	89 531	KIT LEVIER COMMANDE MP/CMP+VIS+CACHE VIS	MP/CMP COMMAND ARM KIT +SCREW+CAP SCREW
22	89 532	KIT VIS POIG MP/CMP (x5)	MP/CMP HANDLE SCREW (x5)
23	89 574	VENTILATEUR AIMANT MPC	MPC MAGNET VENTILATOR
24	89 571	COURONNE CANALISATION MP	MP AIR DUCT
25	89 613	SUPPORT SELF MP	MP SELF REST
26	89 569	CONDUIT VENTILATEUR MP	MP VENTILATOR PIPE
27	89 507	ROULEMENT MOTEUR MP	MP MOTOR BEARING
28	89 037	VIROLE HAUTE MP350 Ultra VV	MP350 VV Ultra HIGH FERRULE

Index	Désignation	Description
<b>A</b>	PLATINE	CIRCUIT BOARD
<b>B</b>	CABLE D'ALIMENTATION	POWER CORD
<b>C</b>	INDUIT	INDUCED CIRCUIT
<b>D</b>	CHARBONS (x2)	BRUSHES (x2)
<b>E</b>	FILS ELECTRIQUES	ELECTRICAL WIRING
<b>G</b>	CONNECTEUR	CONNECTOR
<b>M</b>	MOTEUR	MOTOR

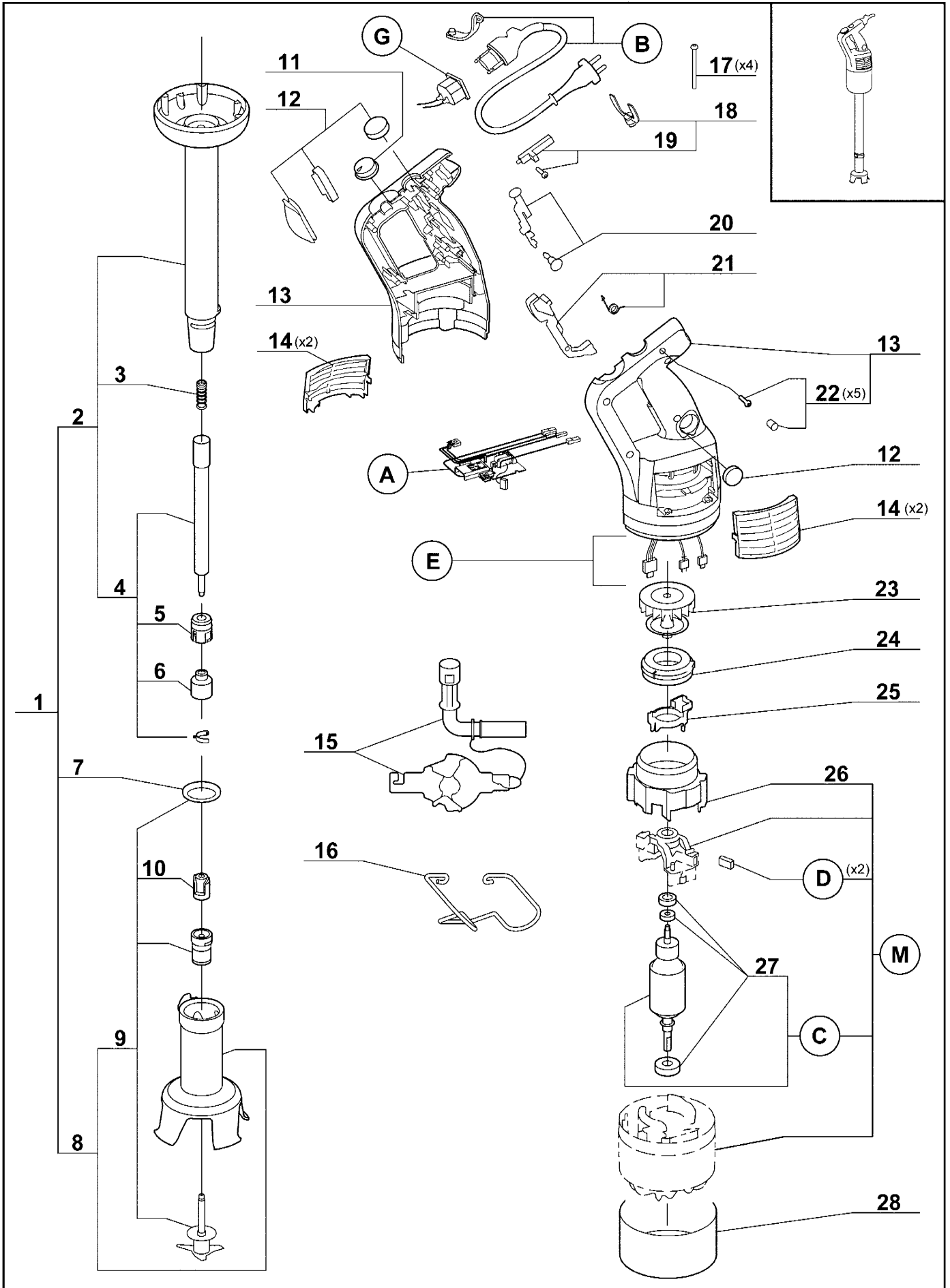
Machine	Voltage	A	B	C	D	E	G	M
34 840 BRA	220-240/50-60/1	89 406	89 141	89 518	89 535	89 408	89 152	89 040
34 840			89 136					
34 840 KOR			89 139					
34 846 Suisse			89 137					
34 841 UK			89 138					
34 842 Aust	120/60/1	89 407	89 143	89 519	89 537	89 409	89 153	89 044
34 845			89 144					
34 849 Japon			89 144					



Index	Pièce / Part	Désignation	Description
1	39 338	PIED COMPLET MP450 A	MP450A COMPLETE FOOT
2	39 339	PIED MP450 A EQUIPE	MP450 A FOOT
3	89 619	RESSORT PIED MP	MP FOOT SPRING
4	39 340	ARBRE D'ENTRAINEMENT MP450 A	MP450 A DRIVING SHAFT
5	39 334	BAGUE PIED MP A (roulement-joint à lèvres)	MPA FOOT BEARING RACE
6	89 624	CAGE D'ENTRAINEMENT INOX	STAINLESS STEEL DRIVING FRAME
7	89 628	JOINT DE PIED MP/CMP	MP/CMP FOOT SEAL
8	39 335	CLOCHE INOX MP450A EQU	MP450 A BELL COVER
9	39 337	COUTEAU MP450 A	MP450 A BLADE
10	89 625	MOYEU D'ENTRAINEMENT MP A	MP ADRIVING HUB
11	89 360	KIT BOUCHON POIGNEE +VIS+CACHE VIS	CAP HANDLE KIT +SCREW+CAP SCREW
12	89 533	KIT ETANCHEITE MP CMP+VIS+CACHE VIS	MP CMP WATERPROOFNESS KIT
13	89 145	POIGNEES MP (G+D)+VIS+CACHE	HANDLES MP (L+R)+SCREW+ CAP SCREW
14	89 508	KIT GRILLES MP (x2)	MP VENT COVERS KIT (x2)
15	89 662	OUTIL DEMONTAGE MP/CMP	MP/CMP DISMOUNT TOOL
16	89 629	SUPPORT MURAL MP	MP WALL SUPPORT
17	89 621	VIS M4x105 MP (x4)	MP SCREW M4x105 (x4)
18	89 156	KIT LEVIER DE VERROUILLAGE+VIS+CACHE VIS	LOCKING ARM+SCREW+CAP SCREW KIT
19	89 155	KIT LEVIER DE PRESENCE+VIS+CACHE VIS	PRESENCE ARM+SCREW+CAP SCREW KIT
20	89 365	MICRO INTERRUPTEUR +VIS+CACHE VIS	MICROSWITCH+SCREW+CAP SCREW
21	89 530	KIT BOUTON MP/CMP +VIS+CACHE VIS	MP/CMP KNOBS KIT +SCREW+CAP SCREW
22	89 364	KIT LEVIER DE COMMANDE+VIS+CACHE VIS	COMMAND ARM KIT+SCREW+CAP SCREW
23	89 532	KIT VIS POIG MP/CMP (x5)	MP/CMP HANDLE SCREW (x5)
24	89 572	VENTILATEUR DEFLEC MP	MP VENTILATOR
25	89 571	COURONNE CANALISATION MP	MP AIR DUCT
26	89 569	CONDUIT VENTILATEUR MP	MP VENTILATOR PIPE
27	89 507	ROULEMENT MOTEUR MP	MP MOTOR BEARING
28	89 032	VIROLE HAUTE MP450 Ultra	MP450 Ultra HIGH FERRULE

Index	Désignation	Description
<b>A</b>	PLATINE	CIRCUIT BOARD
<b>B</b>	CABLE D'ALIMENTATION	POWER CORD
<b>C</b>	INDUIT	INDUCED CIRCUIT
<b>D</b>	CHARBONS (x2)	BRUSHES (x2)
<b>E</b>	FILS ELECTRIQUES	ELECTRICAL WIRING
<b>G</b>	CONNECTEUR	CONNECTOR
<b>M</b>	MOTEUR	MOTOR

Machine	Voltage	A	B	C	D	E	G	M
34 816 Suisse	220-240/50-60/1	89 392	89 139	89 518	89 535	89 425	89 148	89 041
34 810 ZAF			89 140					
34 810			89 136					
35 810 KOR			89 141					
34 810 BRA			89 137					
34 811 UK			89 138					
34 812 Aust			89 138					
34 815	120/60/1	89 393	89 143	89 519	89 537	89 426	89 149	89 045
34 819 Japon			89 144					

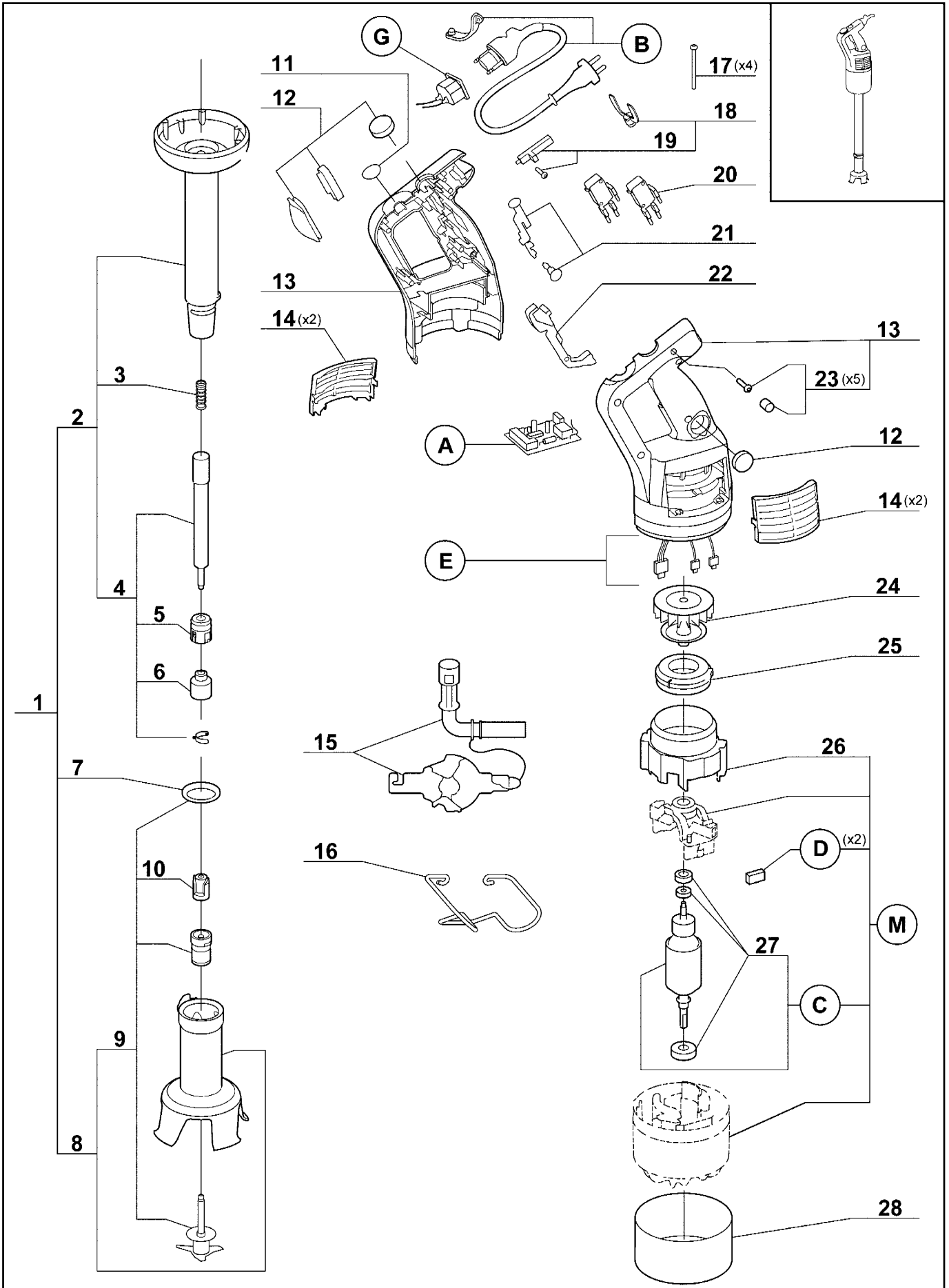




Index	Pièce / Part	Désignation	Description
1	39 338	PIED COMPLET MP450 A	MP450A COMPLETE FOOT
2	39 339	PIED MP450 A EQUIPE	MP450 A FOOT
3	89 619	RESSORT PIED MP	MP FOOT SPRING
4	39 340	ARBRE D'ENTRAINEMENT MP450 A	MP450 A DRIVING SHAFT
5	39 334	BAGUE PIED MP A (roulement-joint à lèvres)	MPA FOOT BEARING RACE
6	89 624	CAGE D'ENTRAINEMENT INOX	STAINLESS STEEL DRIVING FRAME
7	89 628	JOINT DE PIED MP/CMP	MP/CMP FOOT SEAL
8	39 335	CLOCHE INOX MP450A EQU	MP450 A BELL COVER
9	39 337	COUTEAU MP450 A	MP450 A BLADE
10	89 625	MOYEU D'ENTRAINEMENT MP A	MP ADRIVING HUB
11	89 154	BOUTON VARIATEUR MP/CMP+VIS+CACHE VIS	MP/CMP VARIATOR SWITCH+SCREW+CAP SCREW
12	89 533	KIT ETANCHEITE MP CMP+VIS+CACHE VIS	MP CMP WATERPROOFNESS KIT
13	89 145	POIGNEES MP (G+D)+VIS+CACHE	HANDLES MP (L+R)+SCREW+ CAP SCREW
14	89 508	KIT GRILLES MP (x2)	MP VENT COVERS KIT (x2)
15	89 662	OUTIL DEMONTAGE MP/CMP	MP/CMP DISMOUNT TOOL
16	89 629	SUPPORT MURAL MP	MP WALL SUPPORT
17	89 621	VIS M4x105 MP (x4)	MP SCREW M4x105 (x4)
18	89 156	KIT LEVIER DE VERROUILLAGE+VIS+CACHE VIS	LOCKING ARM+SCREW+CAP SCREW KIT
19	89 155	KIT LEVIER DE PRESENCE+VIS+CACHE VIS	PRESENCE ARM+SCREW+CAP SCREW KIT
20	89 530	KIT BOUTON MP/CMP +VIS+CACHE VIS	MP/CMP KNOBS KIT +SCREW+CAP SCREW
21	89 531	KIT LEVIER COMMANDE MP/CMP+VIS+CACHE VIS	MP/CMP COMMAND ARM KIT +SCREW+CAP SCREW
22	89 532	KIT VIS POIG MP/CMP (x5)	MP/CMP HANDLE SCREW (x5)
23	89 574	VENTILATEUR AIMANT MPC	MPC MAGNET VENTILATOR
24	89 571	COURONNE CANALISATION MP	MP AIR DUCT
25	89 613	SUPPORT SELF MP	MP SELF REST
26	89 569	CONDUIT VENTILATEUR MP	MP VENTILATOR PIPE
27	89 507	ROULEMENT MOTEUR MP	MP MOTOR BEARING
28	89 038	VIROLE HAUTE MP450 Ultra VV	MP450 VV Ultra HIGH FERRULE

Index	Désignation	Description
<b>A</b>	PLATINE	CIRCUIT BOARD
<b>B</b>	CABLE D'ALIMENTATION	POWER CORD
<b>C</b>	INDUIT	INDUCED CIRCUIT
<b>D</b>	CHARBONS (x2)	BRUSHES (x2)
<b>E</b>	FILS ELECTRIQUES	ELECTRICAL WIRING
<b>G</b>	CONNECTEUR	CONNECTOR
<b>M</b>	MOTEUR	MOTOR

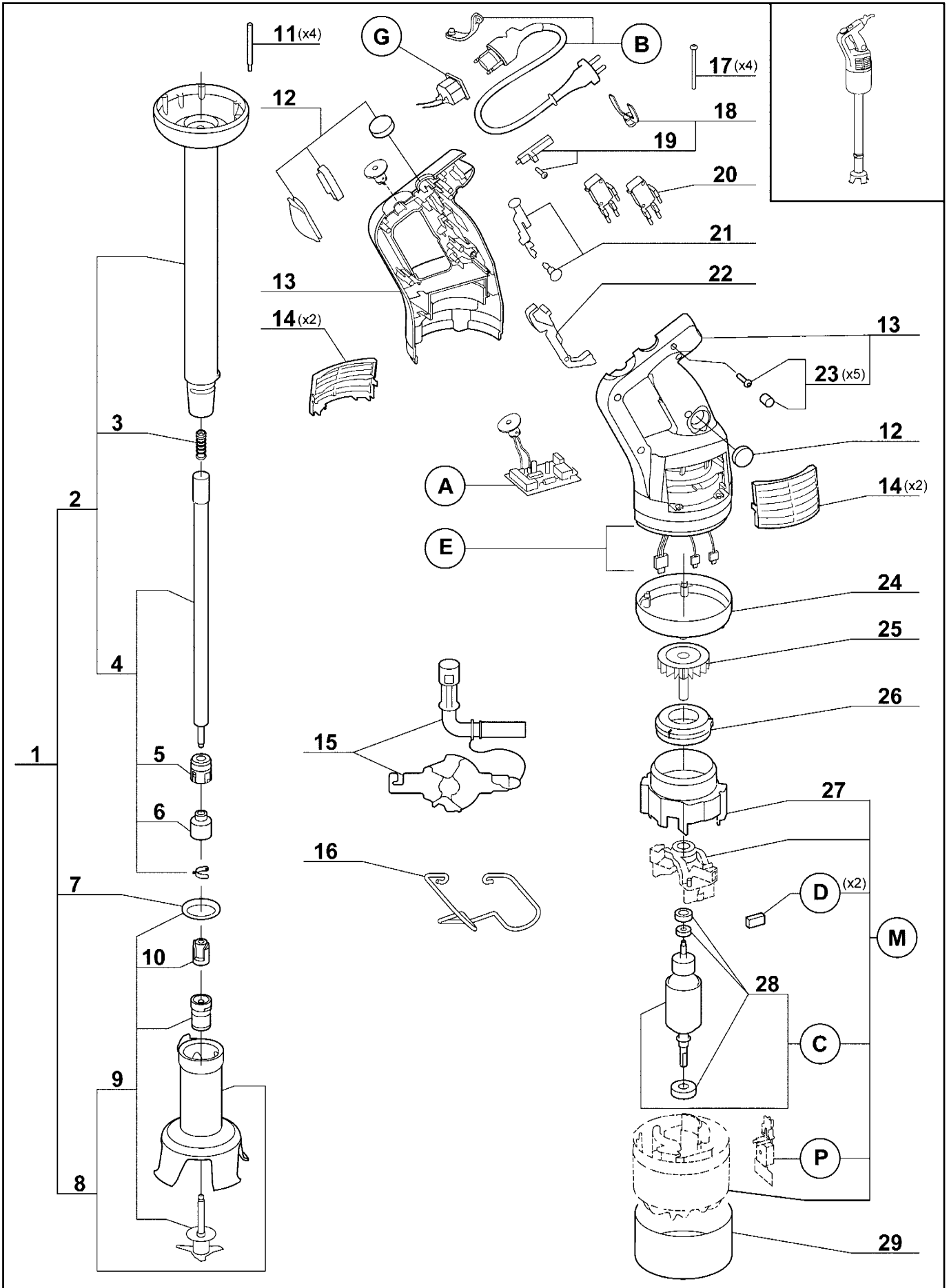
Machine	Voltage	A	B	C	D	E	G	M
34 850 BRA	220-240/50-60/1	89 406	89 141	89 518	89 535	89 408	89 152	89 041
34 850			89 136					
34 850 KOR			89 139					
34 856 Suisse			89 137					
34 851 UK			89 138					
34 852 Aust	120/60/1	89 407	89 143	89 519	89 537	89 409	89 153	89 045
34 855			89 144					
34 859 Japon			89 144					



Index	Pièce / Part	Désignation	Description
1	39 341	PIED COMPLET MP550 A	MP550A COMPLETE FOOT
2	39 342	PIED MP550 A EQUIPE	MP550 A FOOT
3	89 619	RESSORT PIED MP	MP FOOT SPRING
4	39 343	ARBRE D'ENTRAINEMENT MP550 A	MP550 A DRIVING SHAFT
5	39 334	BAGUE PIED MP A (roulement-joint à lèvres)	MPA FOOT BEARING RACE
6	89 624	CAGE D'ENTRAINEMENT INOX	STAINLESS STEEL DRIVING FRAME
7	89 628	JOINT DE PIED MP/CMP	MP/CMP FOOT SEAL
8	39 344	CLOCHE INOX MP550A EQU	MP550 A BELL COVER
9	39 345	COUTEAU MP550 A	MP550 A BLADE
10	89 625	MOYEU D'ENTRAINEMENT MP A	MP ADRIVING HUB
11	89 360	KIT BOUCHON POIGNEE +VIS+CACHE VIS	CAP HANDLE KIT +SCREW+CAP SCREW
12	89 533	KIT ETANCHEITE MP CMP+VIS+CACHE VIS	MP CMP WATERPROOFNESS KIT
13	89 145	POIGNEES MP (G+D)+VIS+CACHE	HANDLES MP (L+R)+SCREW+ CAP SCREW
14	89 508	KIT GRILLES MP (x2)	MP VENT COVERS KIT (x2)
15	89 662	OUTIL DEMONTAGE MP/CMP	MP/CMP DISMOUNT TOOL
16	89 629	SUPPORT MURAL MP	MP WALL SUPPORT
17	89 621	VIS M4x105 MP (x4)	MP SCREW M4x105 (x4)
18	89 156	KIT LEVIER DE VERROUILLAGE+VIS+CACHE VIS	LOCKING ARM+SCREW+CAP SCREW KIT
19	89 155	KIT LEVIER DE PRESENCE+VIS+CACHE VIS	PRESENCE ARM+SCREW+CAP SCREW KIT
20	89 365	MICRO INTERRUPTEUR +VIS+CACHE VIS	MICROSWITCH+SCREW+CAP SCREW
21	89 530	KIT BOUTON MP/CMP +VIS+CACHE VIS	MP/CMP KNOBS KIT +SCREW+CAP SCREW
22	89 364	KIT LEVIER DE COMMANDE+VIS+CACHE VIS	COMMAND ARM KIT+SCREW+CAP SCREW
23	89 532	KIT VIS POIG MP/CMP (x5)	MP/CMP HANDLE SCREW (x5)
24	89 572	VENTILATEUR DEFLEC MP	MP VENTILATOR
25	89 571	COURONNE CANALISATION MP	MP AIR DUCT
26	89 569	CONDUIT VENTILATEUR MP	MP VENTILATOR PIPE
27	89 507	ROULEMENT MOTEUR MP	MP MOTOR BEARING
28	89 033	VIROLE HAUTE MP550 Ultra	MP550 Ultra HIGH FERRULE

Index	Désignation	Description
<b>A</b>	PLATINE	CIRCUIT BOARD
<b>B</b>	CABLE D'ALIMENTATION	POWER CORD
<b>C</b>	INDUIT	INDUCED CIRCUIT
<b>D</b>	CHARBONS (x2)	BRUSHES (x2)
<b>E</b>	FILS ELECTRIQUES	ELECTRICAL WIRING
<b>G</b>	CONNECTEUR	CONNECTOR
<b>M</b>	MOTEUR	MOTOR

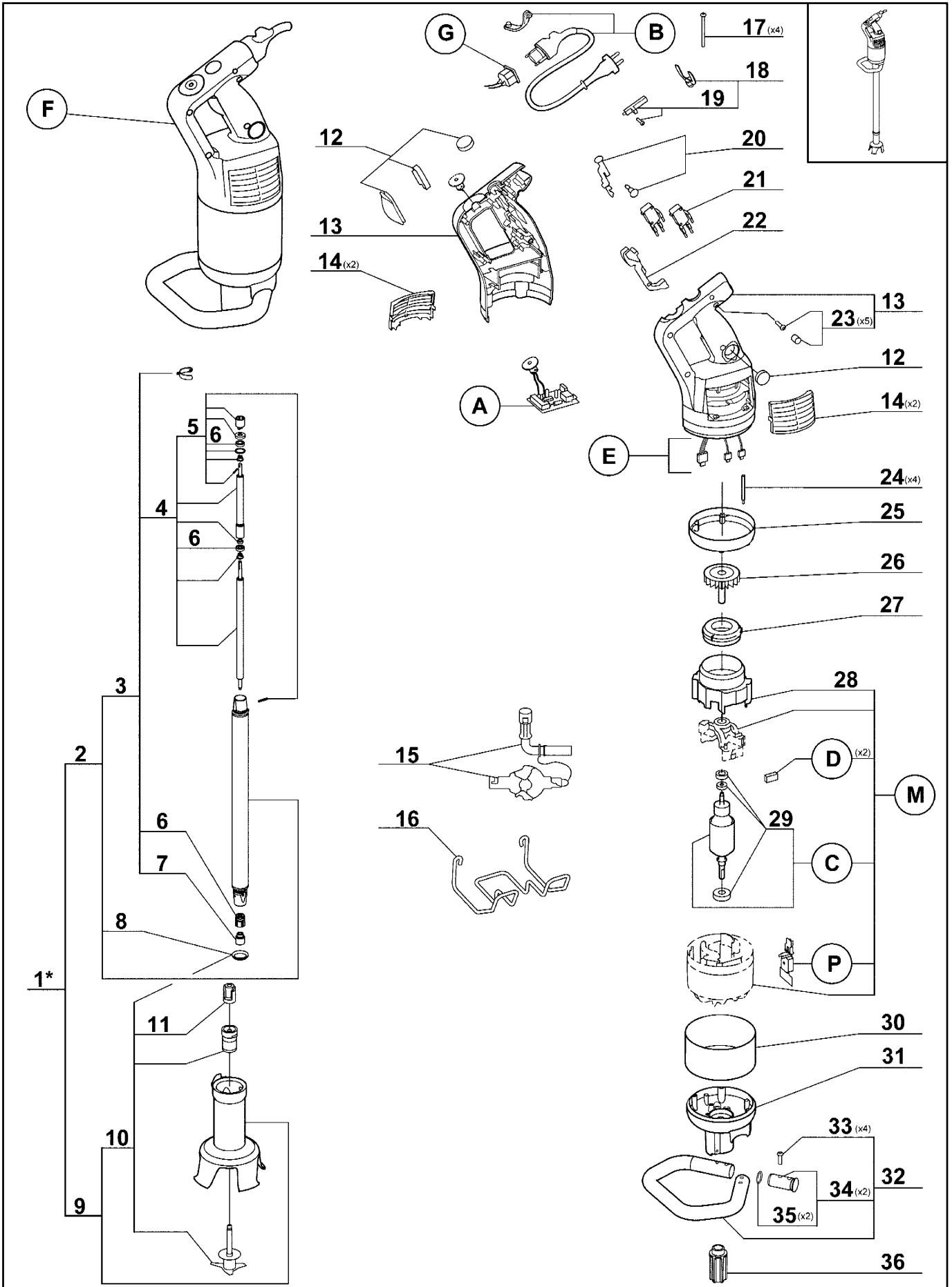
Machine	Voltage	A	B	C	D	E	G	M
34 820 BRA	220-240/50-60/1	89 430	89 141	89 510	89 535	89 425	89 148	89 042
34 820			89 136					
34 820 KOR			89 140					
34 820 ZAF			89 139					
34 826 Suisse			89 137					
34 821 UK			89 138					
34 822 Aust			89 143					
34 825	120/60/1	89 431	89 144	89 511	89 537	89 426	89 149	89 046
34 829 Japon			89 144					



Index	Pièce / Part	Désignation	Description
1	39 346	PIED COMPLET MP600 A	MP600 A COMPLETE FOOT
2	39 348	PIED MP600A EQU	MP600A FOOT
3	89 619	RESSORT PIED MP	MP FOOT SPRING
4	39 349	ARBRE D'ENTRAINEMENT MP600 A	MP600 A DRIVING SHAFT
5	39 334	BAGUE PIED MP A (roulement-joint à lèvres)	MPA FOOT BEARING RACE
6	89 624	CAGE D'ENTRAINEMENT INOX	STAINLESS STEEL DRIVING FRAME
7	89 628	JOINT DE PIED MP/CMP	MP/CMP FOOT SEAL
8	39 344	CLOCHE INOX MP550 A EQU.	MP550 A BELL COVER
9	39 345	COUTEAU MP550 A	MP550 A BLADE
10	89 625	MOYEU D'ENTRAINEMENT MP A	MP ADRIVING HUB
11	89 631	TIRANT MP600 (x4)	MP600 SCREWED SPACER (x4)
12	89 533	KIT ETANCHEITE MP CMP+VIS+CACHE VIS	MP CMP WATERPROOFNESS KIT
13	89 145	POIGNEES MP (G+D)+VIS+CACHE	HANDLES MP (L+R)+SCREW+ CAP SCREW
14	89 508	KIT GRILLES MP (x2)	MP VENT COVERS KIT (x2)
15	89 662	OUTIL DEMONTAGE MP/CMP	MP/CMP DISMOUNT TOOL
16	89 629	SUPPORT MURAL MP	MP WALL SUPPORT
17	89 622	VIS M4x60 MP600 (x4)	MP600 SCREW M4x60 (x4)
18	89 156	KIT LEVIER DE VERROUILLAGE+VIS+CACHE VIS	LOCKING ARM+SCREW+CAP SCREW KIT
19	89 155	KIT LEVIER DE PRESENCE+VIS+CACHE VIS	PRESENCE ARM+SCREW+CAP SCREW KIT
20	89 365	MICRO INTERRUPTEUR +VIS+CACHE VIS	MICROSWITCH+SCREW+CAP SCREW
21	89 530	KIT BOUTON MP/CMP +VIS+CACHE VIS	MP/CMP KNOBS KIT +SCREW+CAP SCREW
22	89 364	KIT LEVIER DE COMMANDE+VIS+CACHE VIS	COMMAND ARM KIT+SCREW+CAP SCREW
23	89 532	KIT VIS POIG MP/CMP (x5)	MP/CMP HANDLE SCREW (x5)
24	89 620	VIROLE MOTEUR MP600	MP600 MOTEUR FERRULE
25	89 573	VENTILATEUR MP600 Ø69	MP600 VENTILATOR
26	89 577	COURONNE CANALISATION MP600	MP600 AIR DUCT
27	89 569	CONDUIT VENTILATEUR MP	MP VENTILATOR PIPE
28	89 507	ROULEMENT MOTEUR MP	MP MOTOR BEARING
29	89 034	VIROLE HAUTE MP600 Ultra	MP600 Ultra HIGH FERRULE

Index	Désignation	Description
<b>A</b>	PLATINE	CIRCUIT BOARD
<b>B</b>	CABLE D'ALIMENTATION	POWER CORD
<b>C</b>	INDUIT	INDUCED CIRCUIT
<b>D</b>	CHARBONS (2)	BRUSHES (x2)
<b>E</b>	FILS ELECTRIQUES	ELECTRICAL WIRING
<b>G</b>	CONNECTEUR	CONNECTOR
<b>M</b>	MOTEUR	MOTOR
<b>P</b>	PONT DE DIODES	RECTIFIER BRIDGE

Machine	Voltage	A	B	C	D	E	G	M	P
34 836 Suisse	220-240/50-60/1	89 146	89 139	89 976	89 535	89 425	89 148	89 043	-
34 830 ZAF			89 140						
34 830			89 136						
34 830 KOR			89 141						
34 830 BRA			89 137						
34 831 UK			89 138						
34 832 Aust			89 143						
34 835	120/60/1	89 147	89 143	89 977	89 537	89 427	89 149	89 566	89 615
34 839 Japon			89 144						



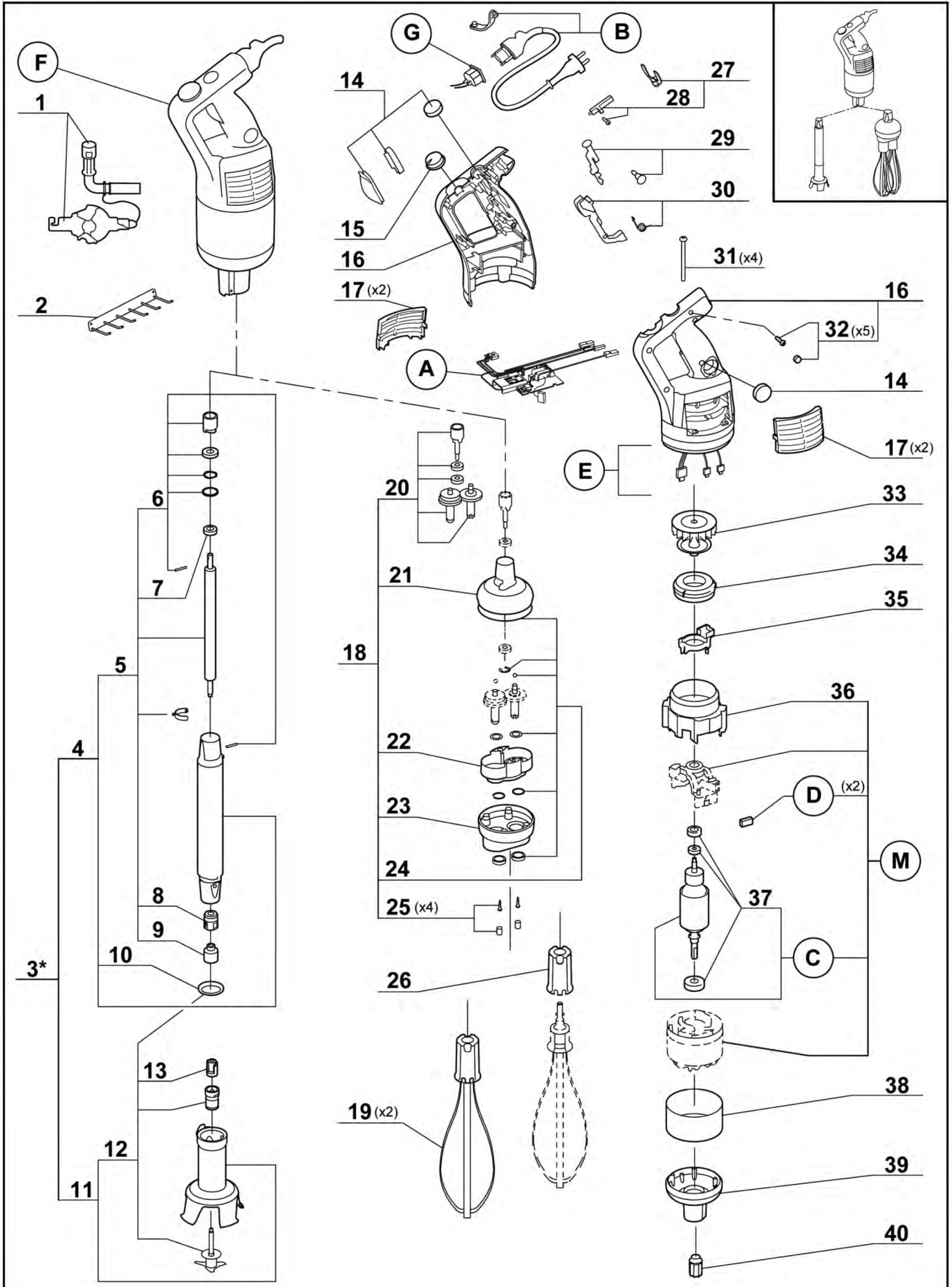
\* Voir tarif machine / see export price list

Index	Pièce / Part	Désignation	Description
1	*89 001	PIED COMPLET MP 800 T	MP 800 T COMPLETE FOOT
2	89 002	PIED MP 800 T EQUIPE	MP 800 T FOOT
3	89 003	ARBRE D'ENTRAINEMENT MP 800 T EQUIPEE	MP 800 T DRIVING SHAFT ASSEMBLY
4	89 004	ARBRE D'ENTRAINEMENT MP 800 T	MP 800 T DRIVING SHAFT
5	89 643	KIT PIED MPC / CMP / CMPC	MPC / CMP / CMPC FOOT KIT
6	89 006	ROULEMENT PIED MP 800 T	MP 800 T BEARING FOOT
7	89 624	CAGE D'ENTRAINEMENT INOX A	STAINLESS STEEL DRIVING FRAME A
8	89 628	JOINT DE PIED	FOOT SEAL
9	39 344	CLOCHE COMPLETE 550 A	COMPLETE 550 A BELL COVER
10	39 345	COUTEAU MP 550 A	550 A BLADE
11	89 625	MOYEU D'ENTRAINEMENT A	DRIVING HUB A
12	89 533	KIT ETANCHEITE + VIS + CACHE VIS	WATERPROOF NESS + SCREW + CAP SCREW KIT
13	89 145	POIGNEES (G+D) + VIS + CACHE MP	HANDLE (L+R) + SCREW + CAP SCREW MP
14	89 508	GRILLE (x2)	VENT COVER (x2)
15	89 662	OUTILLAGE DE DEMONTAGE MP	TOOL
16	89 007	SUPPORT MURAL MP 800 T	MP 800 T RACK
17	89 622	VIS M4x60 (x4)	SCREW M4x60 (x4)
18	89 156	KIT LEVIER DE VERROUILLAGE+VIS+CACHE VIS	LOCKING ARM+SCREW+CAP SCREW KIT
19	89 155	KIT LEVIER DE PRESENCE+VIS+CACHE VIS	PRESENCE ARM+SCREW+CAP SCREW KIT
20	89 530	KIT BOUTON + VIS + CACHE VIS	KNOBS + SCREW + CAP SCREW KIT
21	89 365	MICROINTERRUPTEUR + VIS + CACHE VIS	MICROSWITCH + SCREW + CAP SCREW KIT
22	89 364	KIT LEVIER DE COMMANDE + VIS + CACHE VIS	COMMAND ARM + SCREW + CAP SCREW KIT
23	89 532	VIS + CACHE VIS POIGNEE (x5)	SCREW + CAP SCREW HANDLE (x5)
24	89 631	TIRANT (x4)	SCREWED SPACER (x4)
25	89 620	VIROLE MOTEUR	MOTOR FERRULE
26	89 573	VENTILATEUR	VENTILATOR
27	89 577	COURONNE DE CANALISATION	AIR DUCT
28	89 569	CONDUIT VENTILATEUR	VENTILATOR PIPE
29	89 507	ROULEMENT MOTEUR	MOTEUR BEARING
30	89 008	VIROLE DECOR MP 800 T	MP 800 T FERRULE
31	89 009	CARTER ALU MP 800 T	MP 800 T ALUMINIUM CASING
32	89 000	POIGNEE INOX MP 800 T	MP 800 T STAINLESS-STEEL HANDLE
33	89 022	VIS POIGNEE MP 800 T	MP 800 T HANDLE SCREW
34	89 023	BOUCHON MP 800 T EQUIPEE	MP 800 T CAP
35	89 024	JOINT BOUCHON MP 800 T	MP 800 T SEAL CAP
36	89 010	MOYEU D'ENTRAINEMENT MP 800 T	MP 800 T DRIVING HUB

Index	Désignation	Description
<b>A</b>	PLATINE	CIRCUIT BOARD
<b>B</b>	CABLE D'ALIMENTATION	POWER CORD
<b>C</b>	ENSEMBLE INDUIT	INDUCED CIRCUIT
<b>D</b>	CHARBON (x2)	BRUSH (x2)
<b>E</b>	ENSEMBLE FILS ELECTRIQUES	ELECTRICAL WIRING
<b>F</b>	ENSEMBLE BLOC MOTEUR COMPLET	BLOC MOTOR ASSEMBLY
<b>G</b>	CONNECTEUR	CONNECTOR
<b>M</b>	MOTEUR	MOTOR
<b>P</b>	PONT DE DIODES	RECTIFIER BRIDGE

Machine	Voltage	A	B	C	D	E	F	G	M	P
<b>34 896 Suisse</b>	<b>220-240/50-60/1</b>	<b>89 146</b>	<b>89 139</b>	<b>89 976</b>	<b>89 535</b>	<b>89 011</b>	<b>89 204</b>	<b>89 148</b>	<b>89 021</b>	<b>89 615</b>
<b>34 890 ZAF</b>			<b>89 140</b>				<b>89 207</b>			
<b>34 890</b>			<b>89 136</b>				<b>89 201</b>			
<b>34 890 KOR</b>			<b>89 141</b>				<b>89 209</b>			
<b>34 890 BRA</b>			<b>89 137</b>				<b>89 208</b>			
<b>34 891 UK</b>			<b>89 138</b>				<b>89 202</b>			
<b>34 892 Aust</b>			<b>89 143</b>				<b>89 203</b>			
<b>34 895</b>	<b>120/60/1</b>	<b>89 147</b>	<b>89 143</b>	<b>89 977</b>	<b>89 537</b>	<b>89 427</b>	<b>89 205</b>	<b>89 149</b>	<b>89 566</b>	
<b>34 899 Japon</b>			<b>89 144</b>				<b>89 206</b>			





\* Voir tarif machines / See export price list

Index	Pièce / Part	Désignation	Description
1	89 662	OUTIL DEMONTAGE MP/CMP	MP/CMP DISMOUNT TOOL
2	89 630	SUPPORT MURAL MP	MP WALL SUPPORT
3	* 39 354	PIED COMPLET MPC350 A	MPC350A COMPLETE FOOT
4	39 452	PIED MPC350A EQU	MPC350A FOOT
5	39 352	ARBRE D'ENTRAINEMENT MPC 350 A	MPC350 A DRIVING SHAFT
6	89 643	KIT PIED MPC/CMP/CMPC	MPC/CMP/CMPC FOOT KIT
7	89 645	ROULEMENT 608 2RS	BEARING 608 2RS
8	39 334	BAGUE PIED MP A (roulement-joint à lèvres)	MPA FOOT BEARING RACE
9	89 624	CAGE D'ENTRAINEMENT INOX	STAINLESS STEEL DRIVING FRAME
10	89 628	JOINT DE PIED MP/CMP	MP/CMP FOOT SEAL
11	39 335	CLOCHE INOX MP450A EQU	MP450 A BELL COVER
12	39 337	COUTEAU MP450 A	MP450 A BLADE
13	89 625	MOYEU D'ENTRAINEMENT MP A	MP ADRIVING HUB
14	89 533	KIT ETANCHEITE MP CMP+VIS+CACHE VIS	MP CMP WATERPROOFNESS KIT
15	89 154	BOUTON VARIATEUR MP/CMP+VIS+CACHE VIS	MP/CMP VARIATOR SWITCH+SCREW+CAP SCREW
16	89 145	POIGNEES MP (G+D)+VIS+CACHE	HANDLES MP (L+R)+SCREW+ CAP SCREW
17	89 508	KIT GRILLES MP (x2)	MP VENT COVERS KIT (x2)
18	89 650	BOITE FOUET MP	MP WHIP BOX
19	89 553	FOUETS MP (x2)	MP WHIPS KIT (x2)
20	89 544	PIGNONS RLT BAG BF MP+VIS+CACHE-VIS BF	PIGNONS RLT BAG BF MP+SCREW+CAP SCREW
21	89 379	COQUE SUP BF MP/CMP	MP/CMP BF UPPER BODY
22	89 385	FLASQUE+VIS+CACHE-VIS	PLATE+SCREW+CAP SCREW
23	89 387	COQUE INF ALU BF MP	MP BF ALU LOWER BODY
24	89 545	KIT JOINT RONDELLE BF+VIS+CACHE VIS	BF SEAL WASHER KIT+SCREW+CAP SCREW KIT
25	89 389	VIS+CACHE VIS BF MP/CMP	BF SCREW+CAP SCREW
26	89 552	KIT EJECT FOUET MP/CMP	MP/CMP WHIP EJECTOR
27	89 156	KIT LEVIER DE VERROUILLAGE+VIS+CACHE VIS	LOCKING ARM+SCREW+CAP SCREW KIT
28	89 155	KIT LEVIER DE PRESENCE+VIS+CACHE VIS	PRESENCE ARM+SCREW+CAP SCREW KIT
29	89 530	KIT BOUTON MP/CMP+VIS+CACHE VIS	MP/CMP KNOBS KIT+SCREW+CAP SCREW
30	89 531	KIT LEVIER COMMANDE MP/CMP+VIS+CACHE VIS	MP/CMP COMMAND ARM KIT +SCREW+CAP SCREW
31	89 621	VIS M4x105 MP (x4)	MP SCREW M4x105 (x4)
32	89 532	KIT VIS POIG MP/CMP (x5)	MP/CMP HANDLE SCREW KIT (x5)
33	89 574	VENTILATEUR AIMANT MPC	MPC MAGNET VENTILATOR
34	89 571	COURONNE CANALISATION MP	MP AIR DUCT
35	89 613	SUPPORT SELF MP	MP SELF REST
36	89 569	CONDUIT VENTILATEUR MP	MP VENTILATOR PIPE
37	89 507	ROULEMENTS MOTEUR MP	MP MOTOR BEARINGS
38	89 035	VIROLE HAUTE MPC350 Ultra	MPC350 Ultra HIGH FERRULE
39	89 633	CARTER ALU MPC	MPC ALUMINIUM CASING
40	89 632	MOYEU D'ENTRAINEMENT MPC	MPC DRIVING HUB

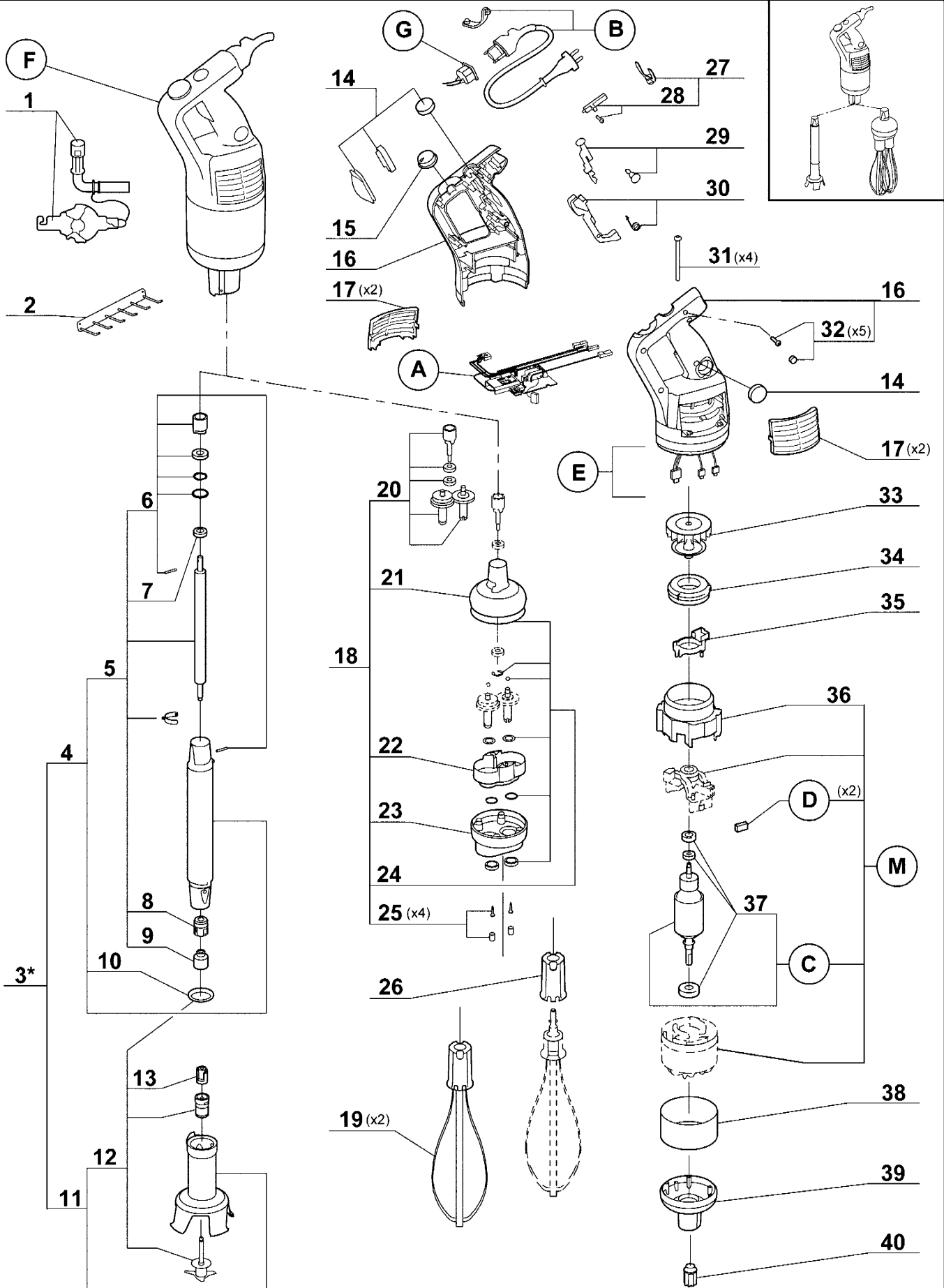
Index	Désignation	Description
<b>A</b>	PLATINE	CIRCUIT BOARD
<b>B</b>	CABLE D'ALIMENTATION	POWER CORD
<b>C</b>	INDUIT	INDUCED CIRCUIT
<b>D</b>	CHARBONS (x2)	BRUSHES (x2)
<b>E</b>	FILS ELECTRIQUES	ELECTRICAL WIRING
<b>F</b>	BLOC MOTEUR	BLOCK MOTEUR
<b>G</b>	CONNECTEUR	CONNECTOR
<b>M</b>	MOTEUR	MOTOR

Machine	Voltage	A	B	C	D	E	F	G	M
34 860 BRA	220-240/50-60/1	89 406	89 141	89 518	89 535	89 408	89 192	89 152	89 040
34 860			89 136				89 193		
34 866 Suisse			89 139				89 194		
34 867 Suède			89 142				89 195		
34 860 ZAF			89 140				89 196		
34 861 UK			89 137				89 197		
34 862 Aust			89 138				89 198		
34 865			120/60/1				89 407		
34 869 Japon	89 144	89 200							

robotcoupe®

MP 450 Ultra  
Combi

N° de série / Serial number  
- 649 - - - - -



\* Voir tarif machines / See export price list

Index	Pièce / Part	Désignation	Description
1	89 662	OUTIL DEMONTAGE MP/CMP	MP/CMP DISMOUNT TOOL
2	89 630	SUPPORT MURAL MP	MP WALL SUPPORT
3	* 39 355	PIED COMPLET MPC450 A	MPC450A COMPLETE FOOT
4	39 453	PIED MPC450A EQU	MPC450A FOOT
5	39 350	ARBRE D'ENTRAINEMENT MPC 450 A	MPC450 A DRIVING SHAFT
6	89 643	KIT PIED MPC/CMP/CMPC	MPC/CMP/CMPC FOOT KIT
7	89 645	ROULEMENT 608 2RS	BEARING 608 2RS
8	39 334	BAGUE PIED MP A (roulement-joint à lèvres)	MPA FOOT BEARING RACE
9	89 624	CAGE D'ENTRAINEMENT INOX	STAINLESS STEEL DRIVING FRAME
10	89 628	JOINT DE PIED MP/CMP	MP/CMP FOOT SEAL
11	39 335	CLOCHE INOX MP450A EQU	MP450 A BELL COVER
12	39 337	COUTEAU MP450 A	MP450 A BLADE
13	89 625	MOYEU D'ENTRAINEMENT MP A	MP ADRIVING HUB
14	89 533	KIT ETANCHEITE MP CMP+VIS+CACHE VIS	MP CMP WATERPROOFNESS KIT
15	89 154	BOUTON VARIATEUR MP/CMP+VIS+CACHE VIS	MP/CMP VARIATOR SWITCH+SCREW+CAP SCREW
16	89 145	POIGNEES MP (G+D)+VIS+CACHE	HANDLES MP (L+R)+SCREW+ CAP SCREW
17	89 508	KIT GRILLES MP (x2)	MP VENT COVERS KIT (x2)
18	89 650	BOITE FOUET MP	MP WHIP BOX
19	89 553	FOUETS MP (x2)	MP WHIPS KIT (x2)
20	89 544	PIGNONS RLT BAG BF MP+VIS+CACHE-VIS B.F.	PIGNONS RLT BAG BF MP+SCREW+CAP SCREW
21	89 379	COQUE SUP BF MP/CMP	MP/CMP BF UPPER BODY
22	89 385	FLASQUE+VIS+CACHE-VIS	PLATE+SCREW+CAP SCREW
23	89 387	COQUE INF ALU BF MP	MP BF ALU LOWER BODY
24	89 545	KIT JOINT RONDELLE BF+VIS+CACHE VIS	BF SEAL WASHER KIT+SCREW+CAP SCREW KIT
25	89 389	VIS+CACHE VIS BF MP/CMP	BF SCREW+CAP SCREW
26	89 552	KIT EJECT FOUET MP/CMP	MP/CMP WHIP EJECTOR
27	89 156	KIT LEVIER DE VERROUILLAGE+VIS+CACHE VIS	LOCKING ARM+SCREW+CAP SCREW KIT
28	89 155	KIT LEVIER DE PRESENCE+VIS+CACHE VIS	PRESENCE ARM+SCREW+CAP SCREW KIT
29	89 530	KIT BOUTON MP/CMP+VIS+CACHE VIS	MP/CMP KNOBS KIT+SCREW+CAP SCREW
30	89 531	KIT LEVIER COMMANDE MP/CMP+VIS+CACHE VIS	MP/CMP COMMAND ARM KIT +SCREW+CAP SCREW
31	89 621	VIS M4x105 MP (x4)	MP SCREW M4x105 (x4)
32	89 532	KIT VIS POIG MP/CMP (x5)	MP/CMP HANDLE SCREW KIT (x5)
33	89 574	VENTILATEUR AIMANT MPC	MPC MAGNET VENTILATOR
34	89 571	COURONNE CANALISATION MP	MP AIR DUCT
35	89 613	SUPPORT SELF MP	MP SELF REST
36	89 569	CONDUIT VENTILATEUR MP	MP VENTILATOR PIPE
37	89 507	ROULEMENTS MOTEUR MP	MP MOTOR BEARINGS
38	89 036	VIROLE HAUTE MPC 450 Ultra	MPC450 Ultra HIGH FERRULE
39	89 633	CARTER ALU MPC	MPC ALUMINIUM CASING
40	89 632	MOYEU D'ENTRAINEMENT MPC	MPC DRIVING HUB

Index	Désignation	Description
A	PLATINE	CIRCUIT BOARD
B	CABLE D'ALIMENTATION	POWER CORD
C	INDUIT	INDUCED CIRCUIT
D	CHARBONS (x2)	BRUSHES (x2)
E	FILS ELECTRIQUES	ELECTRICAL WIRING
F	BLOC MOTEUR	BLOCK MOTEUR
G	CONNECTEUR	CONNECTOR
M	MOTEUR	MOTOR

Machine	Voltage	A	B	C	D	E	F	G	M
34 871 UK	220-240/50-60/1	89 406	89 137	89 518	89 535	89 408	89 182	89 152	89 041
34 872 Aust			89 138				89 183		
34 870 BRA			89 141				89 184		
34 870			89 136				89 185		
34 870 KOR			89 136				89 186		
34 870 ZAF			89 140				89 187		
34 876 Suisse			89 139				89 188		
34 877 Suède			89 142				89 189		
34 875			120/60/1				89 407		
34 869 Japon	89 144	89 191							



Index	Pièce / Part	Désignation	Description
1	89 092	BOITE MELANGEUR	MIXER BOX
2	89 094	FOUET 600	WHIPS
3	89 090	Kit PIGNONS + BAGUE + ROULEMENT	PIGNONS + BAG + BEARING KIT
4	89 379	COQUE SUP BF MP/CMP	MP/CMP BF UPPER BODY
5	89 091	Kit JOINT + RONDELLE	SEAL + WASHER KIT
6	89 088	COQUE INF ALU	LOWER BODY
7	89 077	Kit ROULEMENT + CIRCLIPS + BAGUE + JOINT A LEVRE	BEARING + CIRCLIPS + BAG + SEAL
8	89 076	AXE SORTIE	DRIVING SHAFT
9	89 089	Kit VIS + CACHE VIS	SCREW + CAP SCREW KIT
10	89 093	Kit POIGNEE	HANDLES KIT
11	89 078	PROTECTION	PROTECTION
12	89 650	BOITE FOUET MP	MP WHIP BOX
13	89 553	FOUETS MP (x2)	MP WHIPS KIT (x2)
14	89 544	PIGNONS RLT BAG BF MP+VIS+CACHE-VIS B.F.	PIGNONS RLT BAG BF MP+SCREW+CAP SCREW
15	89 385	FLASQUE+VIS+CACHE-VIS	PLATE+SCREW+CAP SCREW
16	89 387	COQUE INF ALU BF MP	MP BF ALU LOWER BODY
17	89 545	KIT JOINT RONDELLE BF+VIS+CACHE VIS	BF SEAL WASHER KIT+SCREW+CAP SCREW KIT
18	89 389	VIS+CACHE VIS BF MP/CMP	BF SCREW+CAP SCREW
19	89 552	KIT EJECT FOUET MP/CMP	MP/CMP WHIP EJECTOR
20	89 154	BOUTON VARIATEUR MP/CMP+VIS+CACHE VIS	MP/CMP VARIATOR SWITCH+SCREW+CAP SCREW
21	89 533	KIT ETANCHEITE MP CMP+VIS+CACHE VIS	MP CMP WATERPROOFNESS KIT
22	89 145	POIGNEES MP (G+D)+VIS+CACHE	HANDLES MP (L+R)+SCREW+ CAP SCREW
23	89 508	KIT GRILLES MP (x2)	MP VENT COVERS KIT (x2)
24	89 630	SUPPORT MURAL MP	MP WALL SUPPORT
25	89 156	KIT LEVIER DE VERROUILLAGE+VIS+CACHE VIS	LOCKING ARM+SCREW+CAP SCREW KIT
26	89 155	KIT LEVIER DE PRESENCE+VIS+CACHE VIS	PRESENCE ARM+SCREW+CAP SCREW KIT
27	89 530	KIT BOUTON MP/CMP+VIS+CACHE VIS	MP/CMP KNOBS KIT+SCREW+CAP SCREW
28	89 531	KIT LEVIER COMMANDE MP/CMP+VIS+CACHE VIS	MP/CMP COMMAND ARM KIT +SCREW+CAP SCREW
29	89 621	VIS M4x105 MP (x4)	MP SCREW M4x105 (x4)
30	89 532	KIT VIS POIG MP/CMP (x5)	MP/CMP HANDLE SCREW KIT (x5)
31	89 574	VENTILATEUR AIMANT MPC	MPC MAGNET VENTILATOR
32	89 571	COURONNE CANALISATION MP	MP AIR DUCT
33	89 613	SUPPORT SELF MP	MP SELF REST
34	89 569	CONDUIT VENTILATEUR MP	MP VENTILATOR PIPE
35	89 507	ROULEMENTS MOTEUR MP	MP MOTOR BEARINGS
36	89 039	VIROLE HAUTE MP450 ULTRA FW	MP450FW ULTRA HIGH FERRULE
37	89 633	CARTER ALU MPC	MPC ALUMINIUM CASING
38	89 632	MOYEU D'ENTRAINEMENT MPC	MPC DRIVING HUB

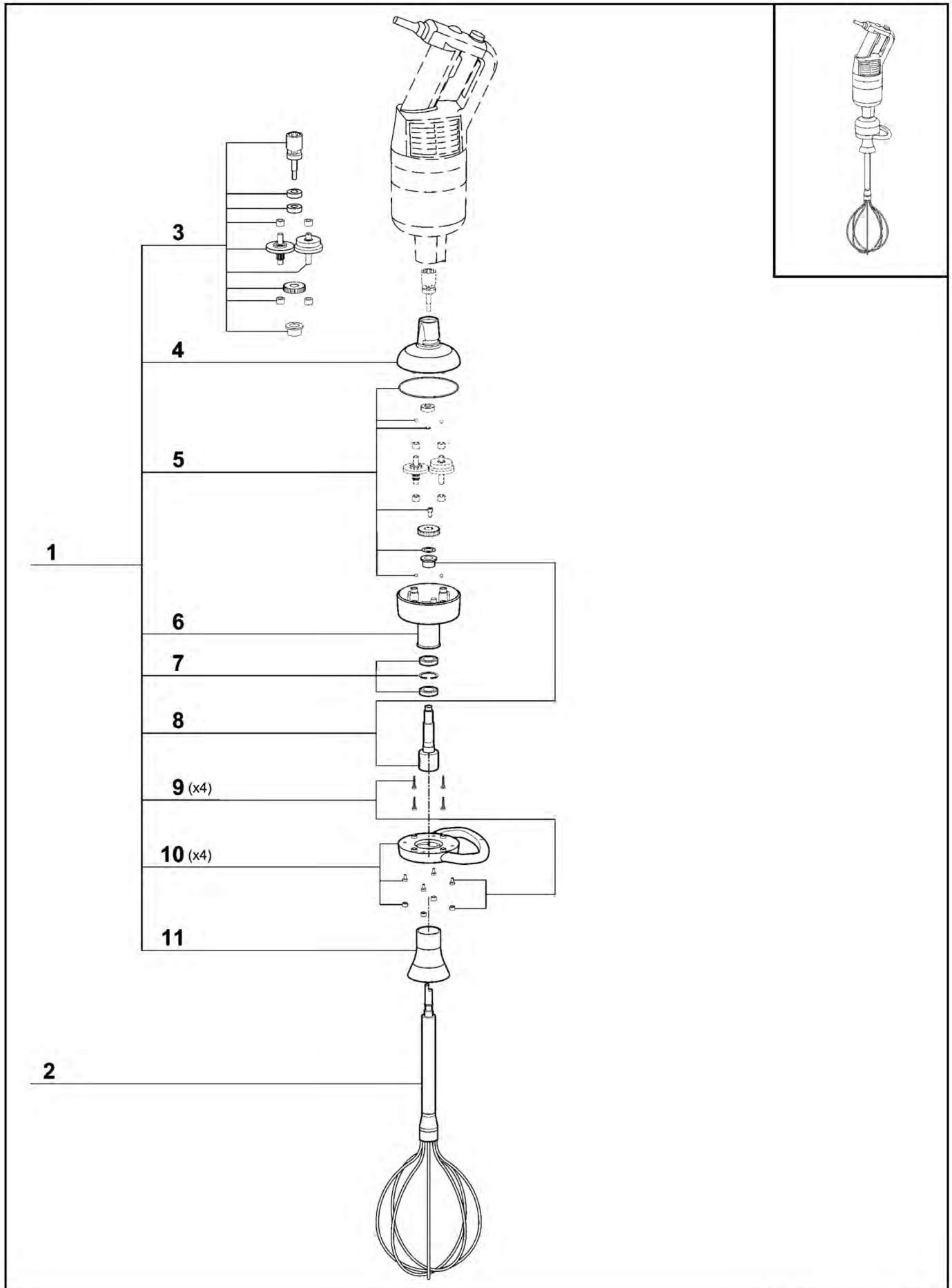
Index	Désignation	Description
<b>A</b>	PLATINE	CIRCUIT BOARD
<b>B</b>	CABLE D'ALIMENTATION	POWER CORD
<b>C</b>	INDUIT	INDUCED CIRCUIT
<b>D</b>	CHARBONS (x2)	BRUSHES (x2)
<b>E</b>	FILS ELECTRIQUES	ELECTRICAL WIRING
<b>F</b>	BLOC MOTEUR	BLOCK MOTOR
<b>G</b>	CONNECTEUR	CONNECTOR
<b>M</b>	MOTEUR	MOTOR

Machine		Voltage	A	B	C	D	E	F (FW)	F (FW XL)	G	M
FW	FW XL										
34 881 UK	34 281 UK	220-240/50-60/1	89 406	89 137	89 518	89 468	89 408	89 162	89 160	89 152	89 041
34 882 Aust	34 282 Aust			89 138				89 172	89 161		
34 880 BRA				89 141				89 174			
34 880	34 280			89 136				89 177	89 157		
34 886 Suisse				89 139				89 178			
34 887 Suède				89 142				89 179			
34 885		120/60/1	89 407	89 143	89 519	89 469	89 409	89 180		89 153	89 045
34 889 Japon				89 144				89 181			

**robot@coupe®**

**OUTIL MELANGEUR  
MIXING TOOL**

**27355**



<i>Index</i>	<i>Pièce / Part</i>	<i>Désignation</i>	<i>Description</i>
1	<b>89 092</b>	BOITE MELANGEUR	MIXER BOX
2	<b>89 094</b>	FOUET 600	WHIPS
3	<b>89 090</b>	Kit PIGNONS + BAGUE + ROULEMENT	PIGNONS + BAG + BEARING KIT
4	<b>89 379</b>	COQUE SUP BF MP/CMP	MP/CMP BF UPPER BODY
5	<b>89 091</b>	Kit JOINT + RONDELLE	SEAL + WASHER KIT
6	<b>89 088</b>	COQUE INF ALU	LOWER BODY
7	<b>89 077</b>	Kit ROULEMENT + CIRCLIPS + BAGUE + JOINT A LEVRE	BEARING + CIRCLIPS + BAG + SEAL
8	<b>89 076</b>	AXE SORTIE	DRIVING SHAFT
9	<b>89 089</b>	Kit VIS + CACHE VIS	SCREW + CAP SCREW KIT
10	<b>89 093</b>	Kit POIGNEE	HANDLES KIT
11	<b>89 078</b>	PROTECTION	PROTECTION





**robot  coupe®**

**Head Office, French,  
Export and Marketing Department:**  
48, rue des Vignerons  
94305 Vincennes Cedex- France  
Tel.: 01 43 98 88 15 - Fax: 01 43 74 36 26  
Email: international@robot-coupe.com

**Delegación comercial en España:**  
Riera Figuera Major, 13-15 baix  
08304 Mataró (Barcelona)  
Tel.: (93) 741 10 23 - Fax: (93) 741 12 73  
Email: robot-coupe@robot-coupe.e.telefonica.net

**Service Clients Belgique**  
26, Rue des Hayettes  
6540 Mont Sainte-Geneviève  
Tél. : (071) 59 32 62  
Fax : (071) 59 36 04  
Email : info@robot-coupe.be

**Robot-Coupe Italia srl**  
Via Stelloni Levante 24/a  
40012 Calderara di Reno (BO)  
Tel: 051 72 68 10 - Fax: 051 72 68 12  
Email: info@robot-coupe.it

**[www.robot-coupe.com](http://www.robot-coupe.com)**