

DESPIECE TÉCNICO TECHNICAL PARTS

Lavavajillas
Dishwasher

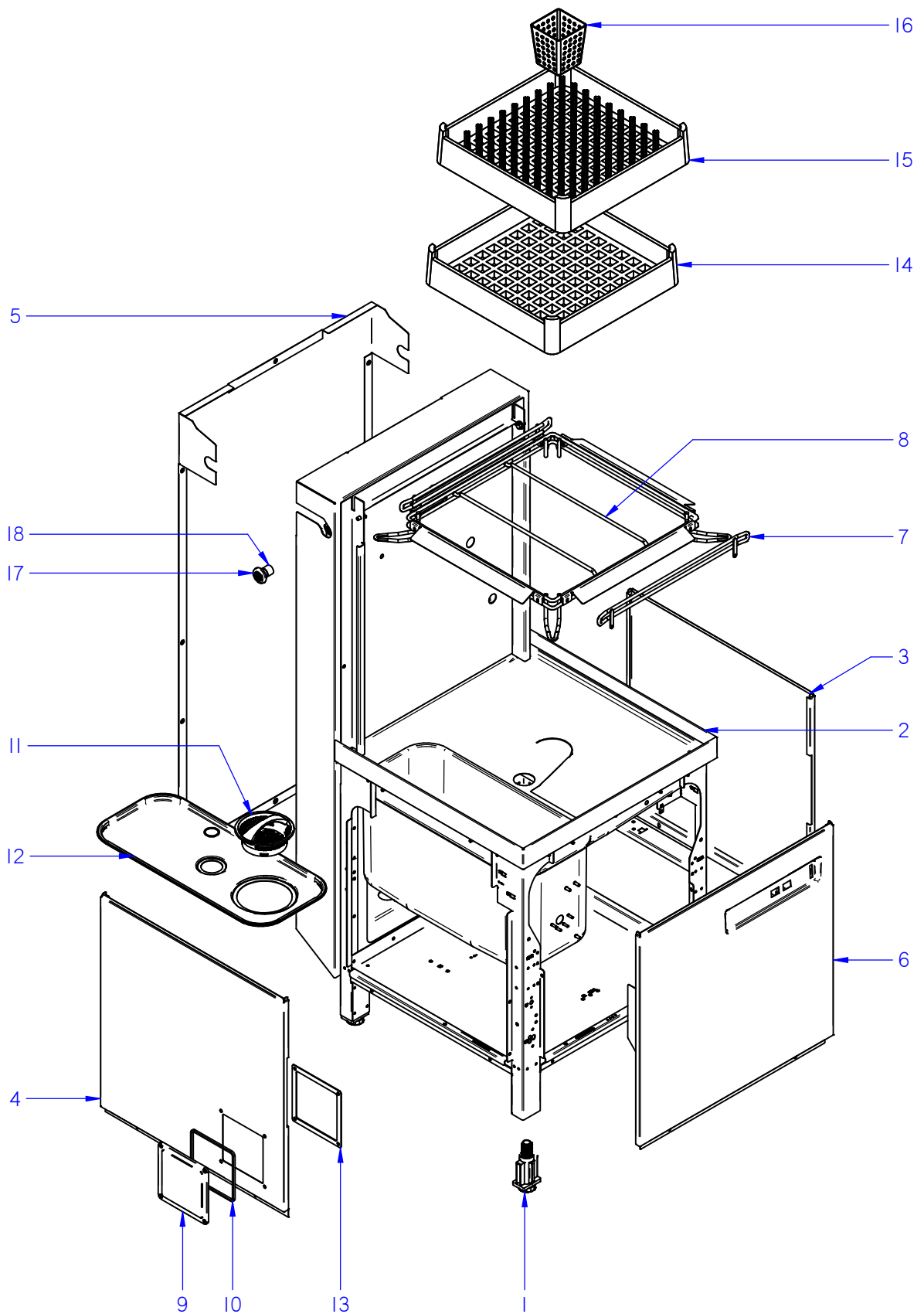
MODELOS

CO-112 / DD / B / B DD
CO-172 / DD / B / B DD

Enero 2015 January

Revisado Enero 2015 January Revised





ITEM MARCADO EN COLOR = REPUESTO RECOMENDADO
 COLOURED ITEM = RECOMMENDED SPARE PART

N plano / Drawing N.	Firma / Signature	Fecha / Date	Aparato / Appliance	MUEBLE / FRAME	Lamina / Sheet	Fagor Industrial S.Coop. FAGOR
C-3348	Iban R.	01-2015	LAVAVAJILLAS CO-112-172 DISHWASHER		1	Oñate

ZONA / ZONE

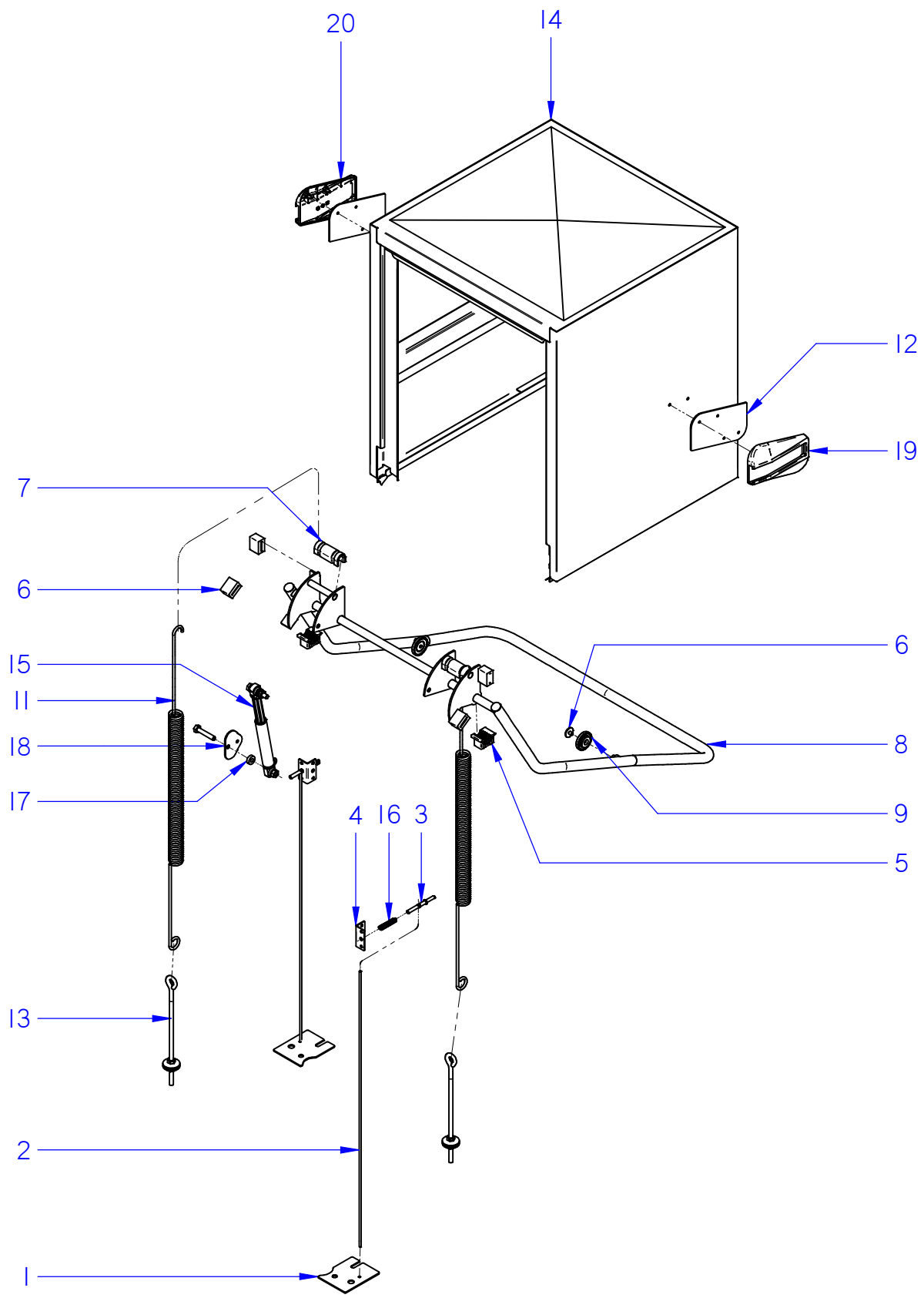
ARMAZON / FRAME

LÁMINA / DRAWING

C-3348

FAGOR 

ITEM	REFERENCIA REFERENCE	DENOMINACIÓN	DENOMINATION	CO-112-172								RECOMMENDED	ELIMINADO ELIMINATED	INTRODUCIDO INTRODUCED	NOTAS / NOTES
1	12009104	PATAS REGULABLES	REGULABLE FEET	4											
2	12098018	CASQUILLO RODADURA	ROLLING BUSHING	2											
3	12120608	PANEL LATERAL DCHO	RIGHT SIDE PANEL	1											
4	12120609	PANEL LATERAL IZDO	LEFT SIDE PANEL	1											
5	12110635	PANEL POSTERIOR CAPOTA	RARE PANEL	1											
6	12119680	PANEL FRONT CONCEPT ELECTR.	ELECTR. CONCEPT FRONT PANEL	1											
7	12045900	TOPE BASE CESTILLO COMPLETO	COMPLETE BASKET BASE END	2											
8	12045909	BASE CESTILLO VARILLA COMPLETA	COMPLETE WIRE BASKET BASE	1											
9	12095220	TAPA CAJA CONEXIONES	CONNECTIONS BOX COVER	1											
10	12096947	JUNTA TAPA	COVER'S SEAL	1											
11	12048609	CESTILLO RECOGEDOR CONCEPT	CONCEPT DUSTPAN BASKET	1											
12	12047947	BANDEJA FILTRO CONCEPT	CONCEPT FILTER TRAY	1											
13	12103501	JUNTA EPDM CAJA CONEXIONES	CONNECTION BOX EPDM JOINT	1											
14	12025011	CESTILLO BASE CT-10	CT-10 BASE BASKET	1											
15	12102646	CESTILLO PLATOS CP-16-18	CP-16-18 PLATES BASKET	1											
16	12023745	CESTILLO CUBIERTOS	CUTLERY BASKET	2											
17	12047509	RODILLO ELEVACIÓN CAPÓ	HOOD ASCENT ROLLER	2											
2	12098018	CASQUILLO RODADURA	ROLLING BUSHING	2											

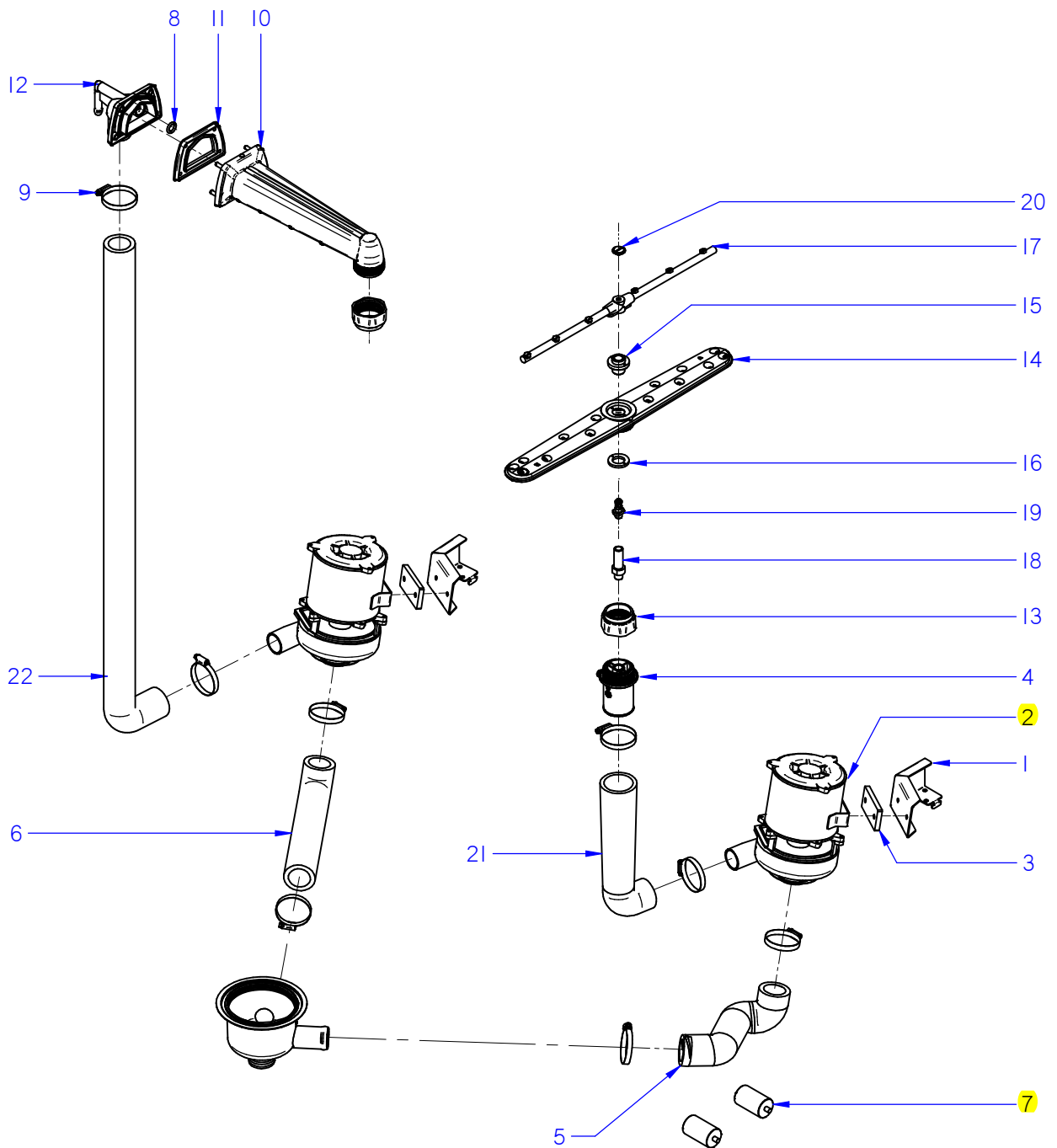


ITEM MARCADO EN COLOR = REPUESTO RECOMENDADO
 COLOURED ITEM = RECOMMENDED SPARE PART

N plano / Drawing N.	Firma / Signature	Fecha / Date	Aparato / Appliance	ASA-CAPOTA / HANDLE HOOD	Lamina / Sheet	Fagor Industrial S.Coop. FAGOR
C-3349	Iban R.	01-2015	LAVAVAJILLAS CO-112-172	DISHWASHER	2	Oñate

ZONA / ZONE	ASA-CAPOTA / HANDLE-HOOD	LÁMINA / DRAWING	C-3349	FAGOR 
--------------------	---------------------------------	-------------------------	---------------	--

ITEM	REFERENCIA REFERENCE	DENOMINACIÓN	DENOMINATION	CO-112-172								RECOMMENDED	ELIMINADO ELIMINATED	INTRODUCIDO INTRODUCED	NOTAS / NOTES
1	12096877	SOPORTE BLOQUEO SEGURIDAD	SECURITY LOCK SUPPORT	2											
2	12096881	VARILLA BLOQUEO SEGURIDAD	SECURITY LOCK ROD	2											
3	12096882	EJE BLOQUEO SEGURIDAD	SECURITY LOCK SHAFT	2											
4	12096883	TAPA BLOQUEO SEGURIDAD	SECURITY LOCK COVER	2											
5	12098128	SOPORTE DE GIRO EJE ASA	HANDLE AXIS ROD SUPPORT	2											
6	12047537	TOPE GOMA BIELA	CONNECTING ROD RUBBER END	4											
7	12096710	CASQUILLO APOYO MUELLE	SPRING SUPPORT BUSHING	2											
8	12098150	SISTEMA ELEVACION CAPOTA ADV.	HOOD ASCENT SYSTEM ADVANCE	1											
9	12098068	RODILLO ASA CAPOTA EVO	EVO HOOD HANDLE ROLLER	2											
10	12098073	TORNILLO RODILLO ASA EVO	HANDLE ROLLER SCREW	2											
11	12048836	MUELLE CAPOTA K7.5	HOOD SPRING K7.5	2											
12	12093162	JUNTA PLANA CARRIL	GUIDE'S PLANE SEAL	2											
13	12048915	GANCHO ROSCADO M10-L315	THREADED HOOK M10-L315	2											
14	12091140	CONJUNTO CAPO SIMPLE PARED	SIMPLE WALL HOOD ASSEMBLED	1											
15	12024980	AMORTIG. RD10FK 140N SUSPA	SHOCK ABSORVER RD10FK 140N	1											
16	12110409	MUELLE SIS. BLOQUEO CAPOTA	HOOD'S LOCK SYSTEM SPRING	2											
17	12025255	CASQUILLO RODANTE	ROLLING BUSHING	1											
18	12098217	SOPORTE AMORTIGUADOR	SHOCK ABSORVER SUPPORT	1											
19	12091573	CARRIL IZDO CAPOTA	HOOD'S LEFT GUIDE	1											
20	12091933	CARRIL DCHO CAPOTA	HOOD'S RIGHT GUIDE	1											

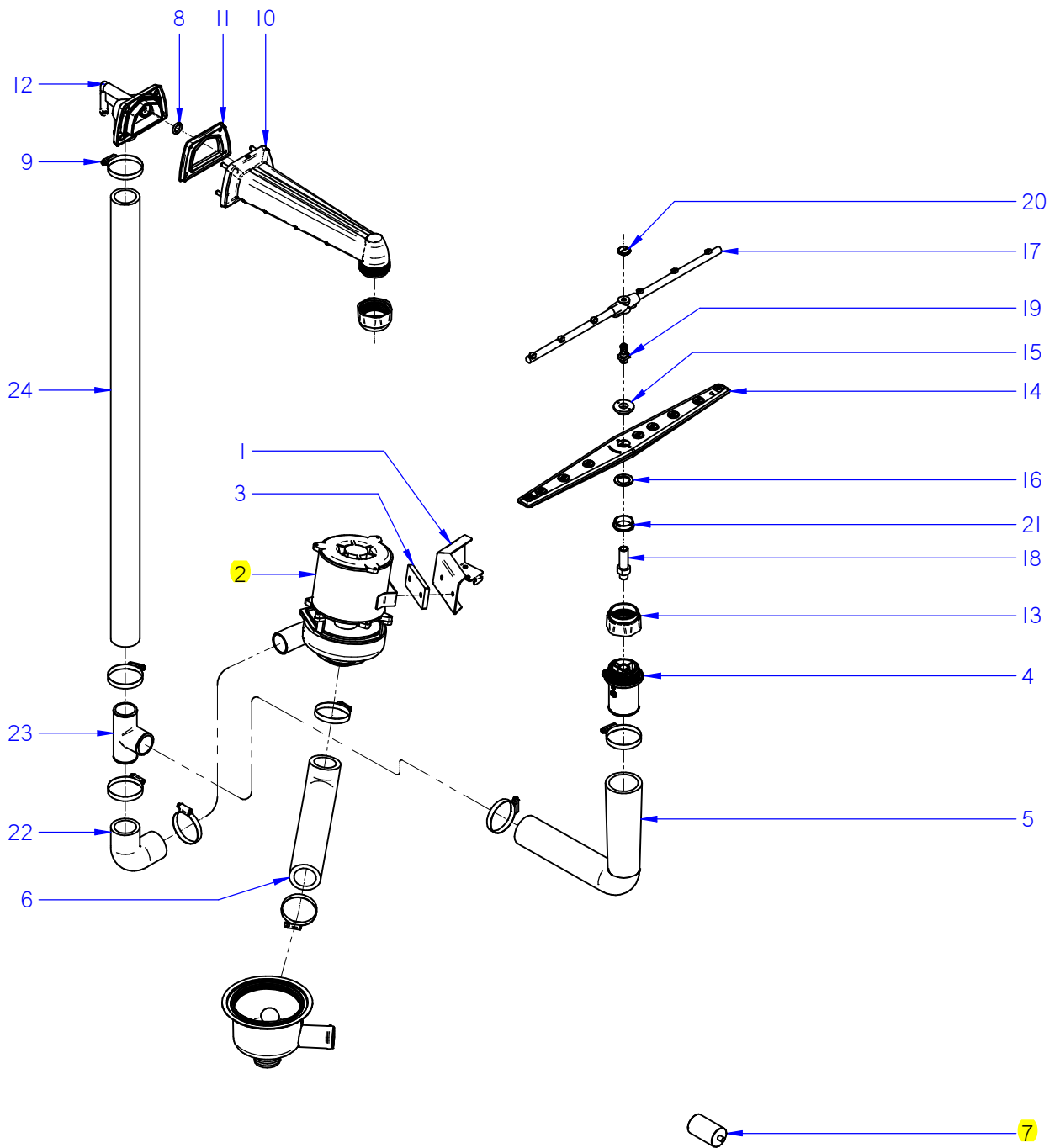


ITEM MARCADO EN COLOR = REPUESTO RECOMENDADO
 COLOURED ITEM = RECOMMENDED SPARE PART

N plano / Drawing N.	Firma / Signature	Fecha / Date	Aparato / Appliance	PARTE FUNCIONAL LAVADO / WASHING FUNCTIONAL PART	Lamina / Sheet	Fagor Industrial S.Coop. FAGOR
C-3350	Iban R.	01-2015	LAVAVAJILLAS CO-172	DISHWASHER	3	Oñate

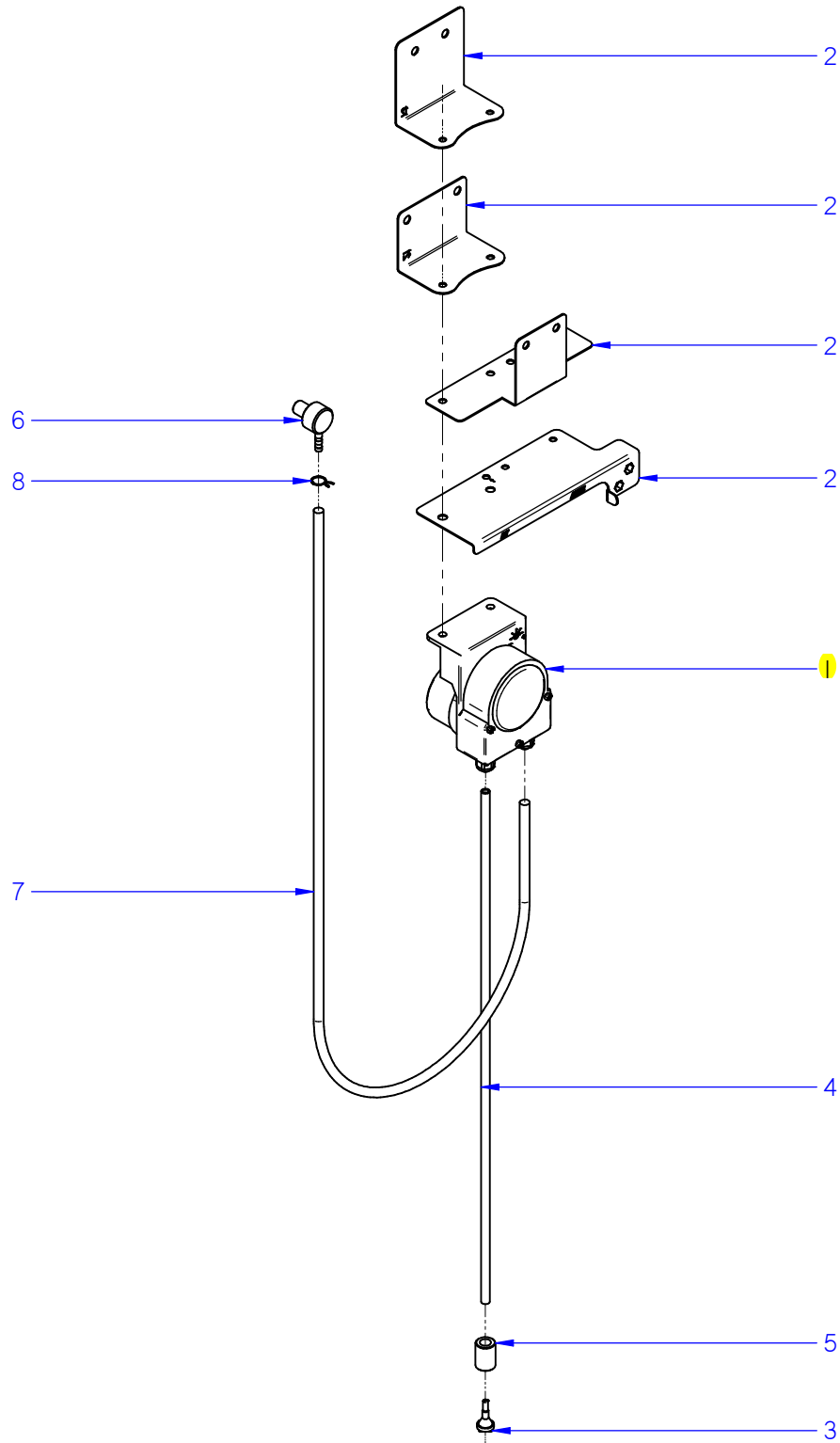
ZONA / ZONE PARTE FUNCIONAL LAVADO / WASHING FUNCTIONAL PART

ITEM	REFERENCIA REFERENCE	DENOMINACIÓN	DENOMINATION	CO-172											RECOMMENDED	ELIMINADO ELIMINATED	INTRODUCIDO INTRODUCED	NOTAS / NOTES
1	12046160	SOPORTE BOMBA LAVADO	WASHIG PUMP SUPPORT	2														
2	12043287	MOTOBOMBA 590KW 50Hz	WASHIG PUMP 590KW 50Hz	2											X			
2	12102834	MOTOBOMBA 590KW 60Hz	WASHIG PUMP 590KW 60Hz	2											X			
3	12023556	BASE BOMBA LAVADO 1003016	WASHIG PUMP BASE 1003016	2														
4	12047910	SOP. DISTRIBUIDOR INFERIOR	LOWER SPRY-ARM SUPPORT	1														
5	12047688	CONDUCTO ASPIRACION 2 BOMB.	2 PUMP SUCTION PIPE	1														
6	12046162	CONDUCTO ASPIRACION	SUCTION PIPE	1														
7	12024376	CONDENSADOR 10MF	10MF CONDENSER	2										X				
8	12049214	JUNTA TORICA ACLARADO 13.8-3.5	RINSING O-RING 13,8-3,5	1														
9	12009962	ABRAZADERA 40-60	40-60 CLAMP	8														
10	12048173	BRAZO LAVAD-ACLAR. CAPOTA	WASH-RINSE ARM	1														
11	12048366	JUNTA BRAZO LAVADO-ACLAR.	WASH-RINSE ARM'S SEAL	1														
12	12048367	CIERRE BRAZO LAVADO-ACLAR.	WASH-RINSE ARM'S CLOSURE	1														
13	12048171	ADAPTADOR RAMAS LAVADO 2 BOMB.	WASHING ARMS ADAPTER 2 PUMPS	2														
14	12003421	DISTRIBUIDOR COMPLETO	COMPLETE SPRY-ARM	2														
15	12025116	CASQUILLO DISTRIBUIDOR	SPRY-ARM'S BUSHING	2														
16	12023674	ARANDELA AMARRE	TIGHTEN UP WASHER	2														
17	12111791	DISTRIBUIDOR ACLARADO CONCEPT	CONCEPT RINSE SPRY-ARM	2														
18	12112480	EJE LAVADO CAPOTA CONCEPT	WASHING SHAFT	2														
19	12113893	EJE ACLARADO CAPOTA CONCEPT	RINSING SHAFT CONCEPT	2														
20	12009829	TORNILLO ESPECIAL INOX M5X7MM	SPECIAL SCREW M5X7MM	2														
21	12047689	CODO IMPULSION COP110	COP110 EXPULSION ELBOW	1														
22	12047690	ARBOL LAVADO COP110 2 BOMBAS	COP110 2 PUMPS WASHING TREE	1														



ITEM MARCADO EN COLOR = REPUESTO RECOMENDADO
 COLOURED ITEM = RECOMMENDED SPARE PART

N plano / Drawing N.	Firma / Signature	Fecha / Date	Aparato / Appliance	PARTE FUNCIONAL LAVADO / WASHING FUNCTIONAL PART	Lamina / Sheet	Fagor Industrial S.Coop. FAGOR
C-3351	Iban R.	01-2015	LAVAVAJILLAS CO-112	DISHWASHER	4	Oñate

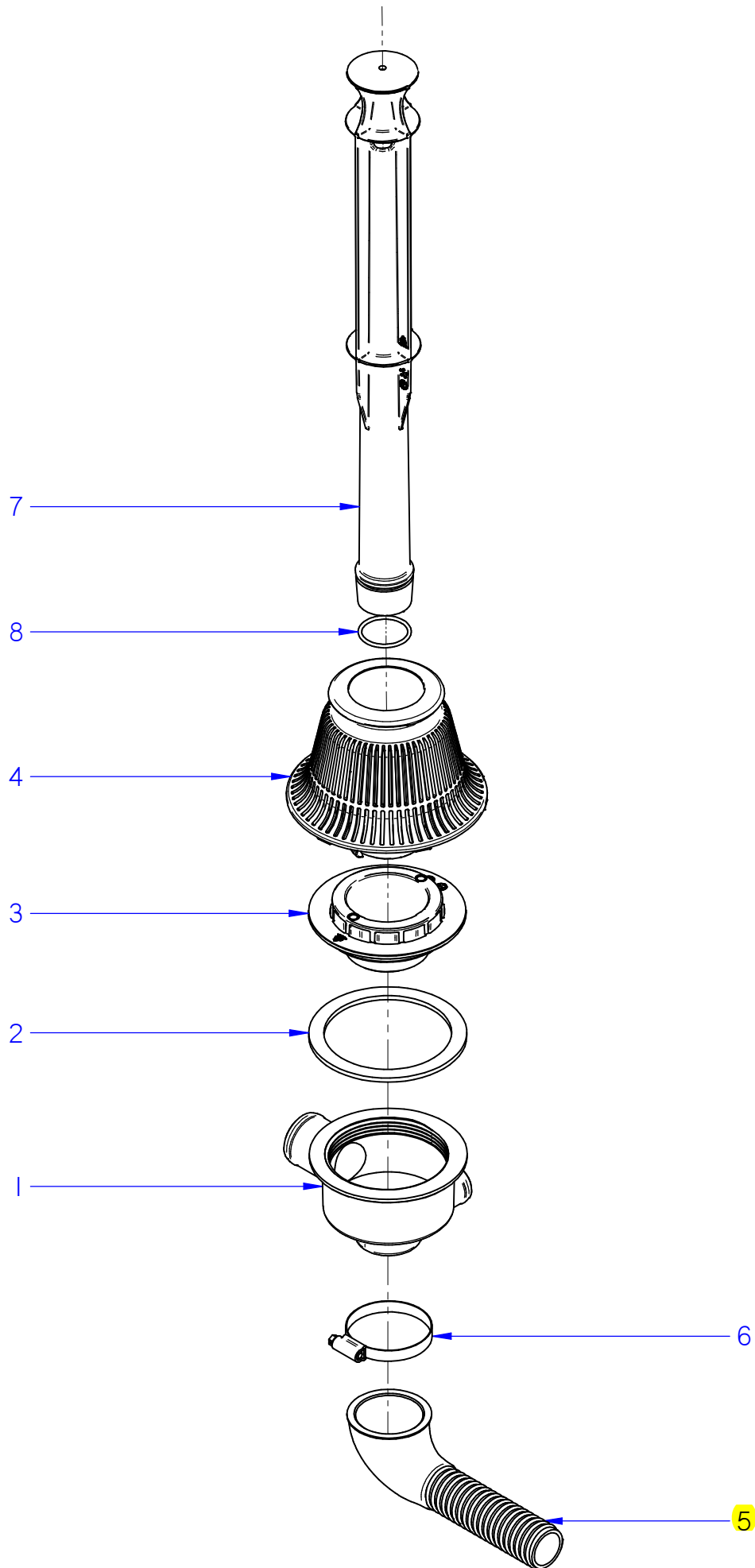


ITEM MARCADO EN COLOR = REPUESTO RECOMENDADO
 COLOURED ITEM = RECOMMENDED SPARE PART


N plano / Drawing N.	Firma / Signature	Fecha / Date	Aparato / Appliance	KIT DOSIFICADOR DETERGENTE / DETERGENT DISPENSER KIT	Lamina / Sheet	Fagor Industrial S.Coop. FAGOR
C-3352	Iban R.	01-2015	LAVAVAJILLAS CO-112-172	DISHWASHER	5	FAGOR
						Note

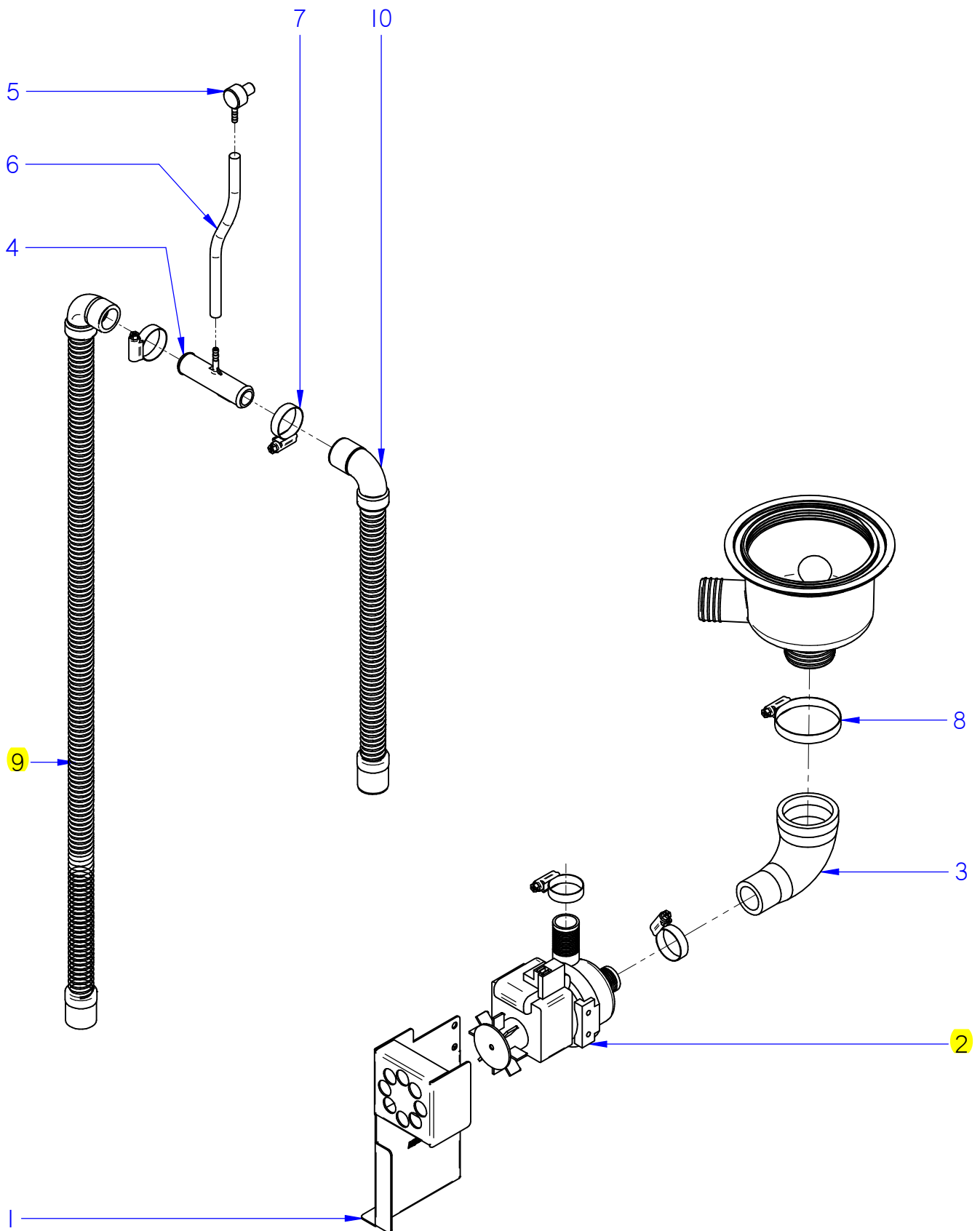
ZONA / ZONE	KIT DOSIFICADOR DETERGENTE / DETERG. DISPENSER KIT	LÁMINA / DRAWING	C-3352	FAGOR 
--------------------	---	-------------------------	---------------	--

ITEM	REFERENCIA REFERENCE	DENOMINACIÓN	DENOMINATION	CO-112-172 DD							RECOMMENDED	ELIMINADO ELIMINATED	INTRODUCIDO INTRODUCED	NOTAS / NOTES
	19022347	KIT DOSIFICADOR DETERGENTE EVO	DETERGENT DISPENSER KIT EVO											
1	12024216	DOSIF. DGTE REGULABLE G300	DETERG. REGUL. DISPENSER	1							X			
2	12120598	SOP. DOSIFICADORES CAPOTA	DISPENSERS SUPPORT	1										CAPOTA - PASS-THOUGH
2	12046465	SOPORTE BOMBA PERISTALTICA	PERISTALTIC PUMP SUPPORT	1										LAVAVASOS 400
2	12049139	SOPORTE DOS. DETERGENTE 12	DISPENSERS SUPPORT	1										LAVAVASOS 350
2	12102040	SOP. DOSIF. DETERGENTE AF	DISPENSERS SUPPORT FRONT LOAD.	1										AP.FRONTAL - FRONT LOADING
3	12011355	FILTRO ASPIRACION	SUCTION FILTER	1										
4	12024139	CONDUCTO ASPIRACIÓN AZKOY	AZKOY SUCTION PIPE	1										
5	12024353	PESO FILTRO	FILTER'S WEIGHT	1										
6	12024531	INYECTOR DETERGENTE INOX	DETERGENT INJECTOR	1										
7	11000079	CONDUCTO DOSIF. TRANSP 6X4	DISPENSER TRANSPARENT PIPE	1										
8	12023707	BRIDA ELASTICA TUBO	ELASTIC CLAMP FOR PIPES	1										
	12024314	CABLEADO DOSIF. DETERGENTE	DETERGENT DISPENSER WIRING	1										



ITEM MARCADO EN COLOR = REPUESTO RECOMENDADO
 COLOURED ITEM = RECOMMENDED SPARE PART

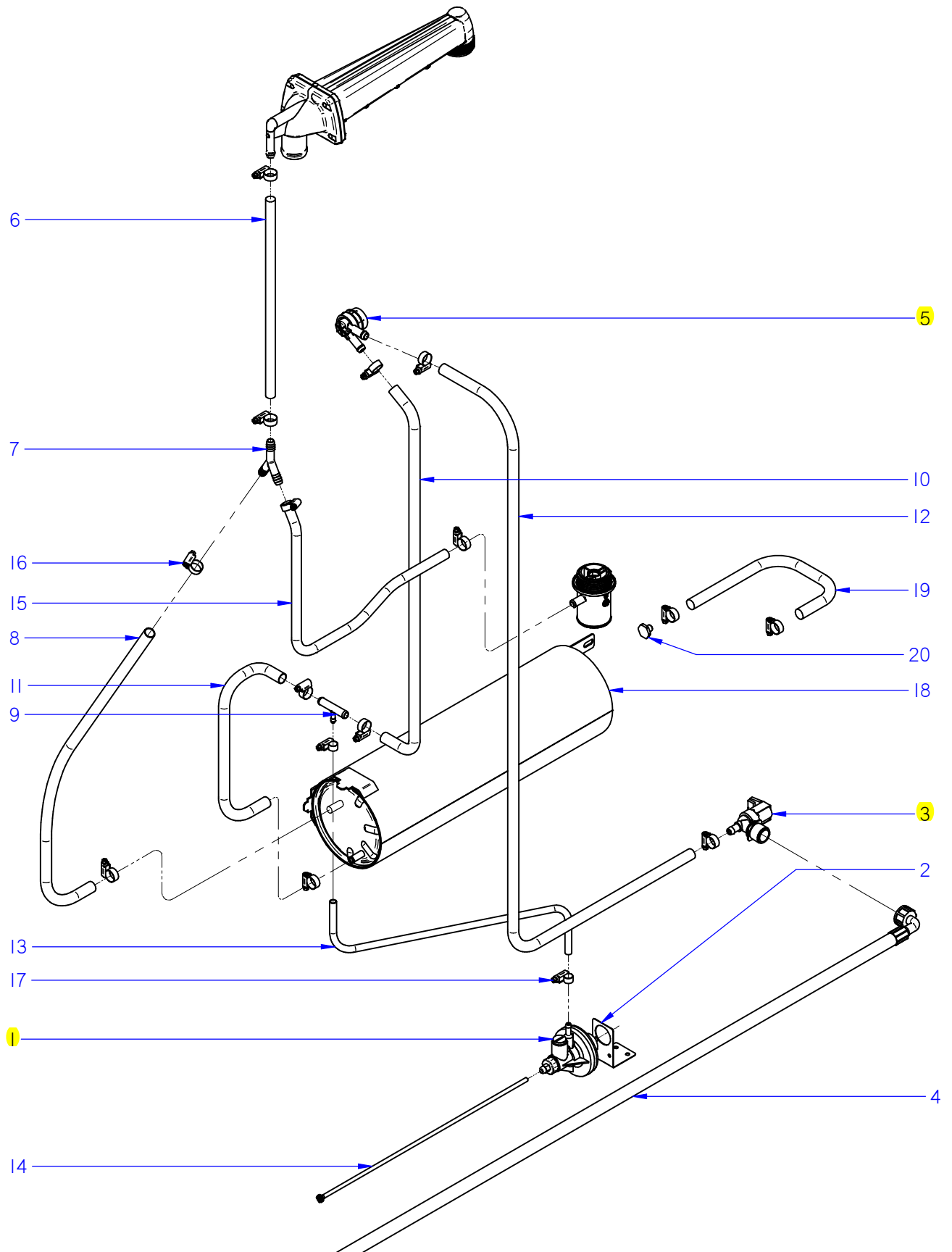
N plano / Drawing N.	Firma / Signature	Fecha / Date	Aparato / Appliance	DESAGÜE / DRAINING PART	Lamina / Sheet	Fagor Industrial S.Coop. FAGOR
C-3353	Iban R.	01-2015	LAVAVAJILLAS CO-112-172 DISHWASHER		6	 FAGOR
						Onote



ITEM MARCADO EN COLOR = REPUESTO RECOMENDADO
 COLOURED ITEM = RECOMMENDED SPARE PART

N plano / Drawing N.	Firma / Signature	Fecha / Date	Aparato / Appliance	KIT BOMBA DESAGÜE / DRAINING PUMP KIT	Lamina / Sheet	Fagor Industrial S.Coop. FAGOR
C-3354	Iban R	01-2015	LAVAVAJILLAS CO-112-172 DISHWASHER		7	Oñate

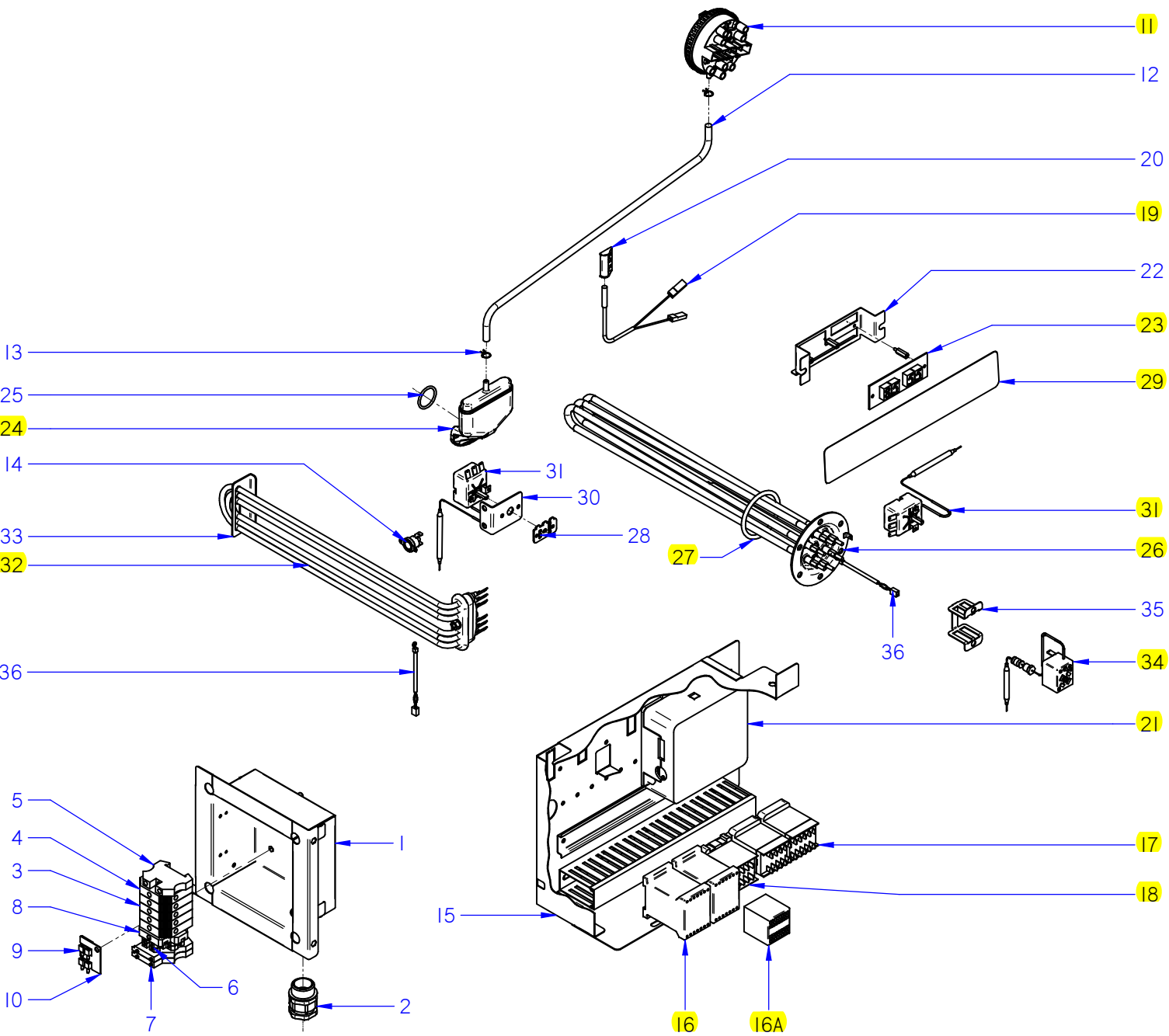
ITEM	REFERENCIA REFERENCE	DENOMINACIÓN	DENOMINATION	CO-112-172 B							RECOMMENDED	ELIMINADO ELIMINATED	INTRODUCIDO INTRODUCED	NOTAS / NOTES
	19022349	KIT BOMBA DESAGÜE CONCEPT	CONCEPT DRAINING PUMP KIT											
1	12096889	SOPORTE BOMBA CONCEPT	DRAINING PUMP'S SUPPORT	1										
2	12023456	BOMBA DESAGUE	DRAINING PUMP	1							X			
3	12049606	CODO BOMBA DESAGÜE	DRAINING PUMP'S ELBOW	1										
4	12041519	EMPALME DESAGÜE	DRAINING JOINT	1										
5	12024531	INYECTOR DETERGENTE INOX	DETERGENT INJECTOR	1										
6	11000083	TUBO GOMA NEGRA D 17x10	D 17x10 BLACK RUBBER PIPE	1										
7	12010023	ABRAZADERA 20-32	20-32 CLAMP	4										
8	12009962	ABRAZADERA 40-60	40-60 CLAMP	1										
9	12041934	MANGUERA DESAGÜE	DRAINING PIPE	1							X			
10	12041936	MANGUERA DESAGÜE	DRAINING PIPE	1										



ITEM MARCADO EN COLOR = REPUESTO RECOMENDADO
 COLOURED ITEM = RECOMMENDED SPARE PART

N plano / Drawing N.	Firma / Signature	Fecha / Date	Aparato / Appliance	ACLARADO / RINSING PART	Lamina / Sheet	Fagor Industrial S.Coop. FAGOR
C-3355	Iban R	01-2015	LAVAVAJILLAS CO-112-172 DISHWASHER		7	Oñate

ITEM	REFERENCIA REFERENCE	DENOMINACIÓN	DENOMINATION	CO-112-172								RECOMMENDED	ELIMINADO ELIMINATED	INTRODUCIDO INTRODUCED	NOTAS / NOTES
1	12045206	DOSIFICADOR ABRILL. AQUA	AQUA RINSE AID DISPENSER	1								X			
2	12092111	SOPORTE DOSIF. ABRILLANTADOR	RINSE-AID DISPENSER SUPPORT	1											
3	12095427	E.V SIMPLE 220V SALIDA A 90º	SIMPLE E.V 90º EXIT	1								X			
4	12024115	MANGUERA ENTRADA AGUA	WATER SUPPLY HOSE	1											
5	12024568	VALVULA ANTIRRETORNO	NON-RETURN VALVE	1								X			
6	11000083	TUBO GOMA NEGRA D 17x10	BLACK RUBBER PIPE D 17x10	1											
7	12023511	RACORD EN Y	Y FITTING	1											
8	11000083	TUBO GOMA NEGRA D 17x10	BLACK RUBBER PIPE D 17x10	1											
9	12025288	TOMA PRESION	PRESSURE FITTING	1											
10	11000083	TUBO GOMA NEGRA D 17x10	BLACK RUBBER PIPE D 17x10	1											
11	11000083	TUBO GOMA NEGRA D 17x10	BLACK RUBBER PIPE D 17x10	1											
12	11000083	TUBO GOMA NEGRA D 17x10	BLACK RUBBER PIPE D 17x10	1											
13	11000070	TUBO GOMA NEGRO D 10,5*5	BLACK RUBBER PIPE D 10,5*5	1											
14	12024139	CONDUCTO ASPIRACIÓN AZKOY CO	AZKOY SUCTION PIPE	1											
15	11000083	TUBO GOMA NEGRA D 17x10	BLACK RUBBER PIPE D 17x10	1											
16	12010036	ABRAZADERA 12-20	12-20 CLAMP	10											
17	12010047	ABRAZADERA 8-14L	8-14L CLAMP	2											
18	12045874	CALDERIN CONCEPT SOLDADO	CONCEPT BOILER WELDED	1											
19	11000083	TUBO GOMA NEGRA D 17x10	BLACK RUBBER PIPE D 17x10	1											
20	12041528	Tapon M10x1.5	M10x1.5 CAP	1											




ITEM MARCADO EN COLOR = REPUESTO RECOMENDADO
 COLOURED ITEM = RECOMMENDED SPARE PART

ZONA / ZONE	CONJUNTO ELECTRICO / ELECTRICAL PART	LÁMINA / DRAWING	C-3356	FAGOR 
--------------------	---	-------------------------	---------------	--

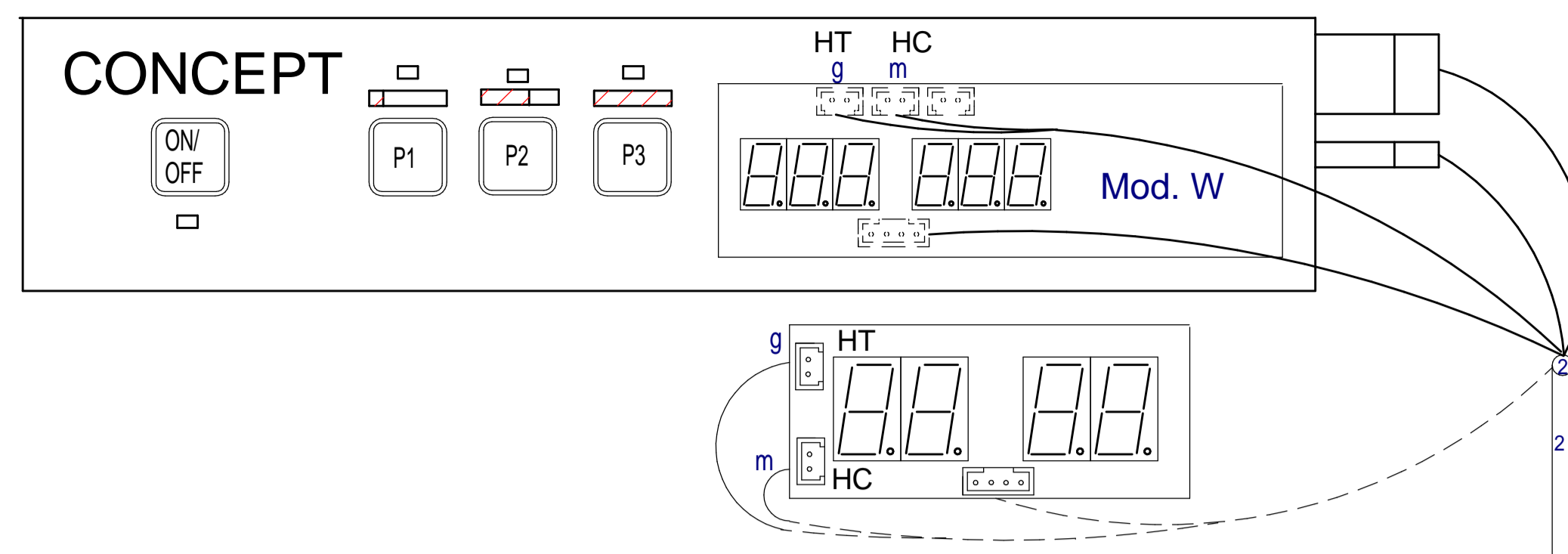
ITEM	REFERENCIA REFERENCE	DENOMINACIÓN	DENOMINATION	CO-112	CO-172							RECOMMENDED	ELIMINADO ELIMINATED	INTRODUCIDO INTRODUCED	NOTAS / NOTES
1	12120601	BASE CAJA CONEXIONES	CONNECTIONS BOX BASE	1	1										
2	12009927	PRENSA ESTOPAS PG-21	PG-21 CABLE GLAND	1	1										
3	12023373	BORNES 10 WDU-10203.O	10 WDU-10203.O TERMINAL	3	3										
4	12025224	BORNA DE PASO AZUL	BLUE TERMINAL	2	2										
5	12024743	BORNE TIER 10 WPE-10103.O	EARTH TERMINAL	1	1										
6	12025180	REGLETA BORNAJE 2 PISOS	2 LEVEL CONNECTION STRIP	2	2										
7	12025158	BORNAS PORTA FUSIBLES	FUSE HOLDER TERMINALS	2	2										
8	12024199	TOPE FINAL	FINAL END	1	1										
9	12103361	CONECTOR 2 VIAS 10mm 57A	2 WAY CONNECTOR 57A	3	3										
10	12103535	SOP. CONECTORES 2 VIAS	2 WAY CONNECTOR'S SUPP.	1	1										
11	12093675	PRESOSTAT. DOBLE 125/20-190/165	125/20-190/165 PRESSURE SWITCH	1	1							X			
12	11000066	TUBO GOMA NEGRO D 8x4	D 8x4 BLACK RUBBER PIPE	1	1										
13	12023707	BRIDA ELASTICA TUBO	ELASTIC CLAMP FOR PIPES	2	2										
14	12096597	TERM. SEG. 261B 110°C FAST 90	SEC. THERM. 261B 110°C FAST 90	1	1							X			
15	12047752	BASE CUADRO ELECTRICO	ELECTRIAL PANEL'S BASE	1	1										
16	12111795	CONTACTOR 230V 4VIAS UL	230V 4WAY UL CONTACTOR	2	-							X			
16	12024040	CONTACTOR 230V 4VIAS UL	230V 4WAY UL CONTACTOR	-	2							X			
16A	12119174	CONTACTOR AUXILIAR 10A 400V UL	10A 400V AUX. CONTACTOR UL	-	1							X			
17	12024011	CONTACTOR 16A 4VIA UL	16A 4VIA CONTACTOR UL	1	2							X			
18	12024012	CONTACTOR 16A 4VIA UL	16A 4VIA CONTACTOR UL	1	1							X			
19	12024477	INTERRUPTOR MAGNETICO	MAGNETIC SWITCH	1	1							X			
20	12024066	AMARRE INTERRUPTOR MAGNETICO	MAGNETIC SWITCH'S SUPPORT	1	1										
21	12008750	CONTROL TARJETA 5 REL. AC 50/60	5 REL. AC 50/60 CONTROL CARD	1	1							X			
22	12022219	SOPORTE COMPO. AD AF-LVS	COMPONENTS SUPPORT AD AF-LVS	1	1										
23	12024028	VISUALIZADOR 12V DC 4DIG. 7SEG.	12V DC 4DIG. 7SEG. DISPLAY	1	1							X			
24	12093146	CAMPANA TANQUE	TUB'S PRESSURE CHAMBER	1	1							X			
25	12093145	JUNTA TORICA CAMPANA	PRESSURE CHAMBER'S O-RING	1	1										
26	12024732	RESISTENCIA CALDERIN COMPLETA	COMPLETE BOILER RESISTOR	1	-							X			
26	12024146	RESISTENCIA CALDERIN COMPLETA	COMPLETE BOILER RESISTOR	-	1							X			
27	12010051	JUNTA TÓRICA RESIS. CALDERIN	BOILER RESISTOR'S O-RING	1	1							X			
28	12044848	REGULADOR A 60°C Tt DE 85°C	60°C Tt DE 85°C REGULATOR	1	1										
29	12119109	EMBELLECEDOR CO-112-172	CO-112-172 STICKER	1	1							X			

ITEM	REFERENCIA REFERENCE	DENOMINACIÓN	DENOMINATION	CO-112	CO-172								RECOMMENDED	ELIMINADO ELIMINATED	INTRODUCIDO INTRODUCED	NOTAS / NOTES
30	12102004	SOPORTE TERMOSTATO	THERMOSTAT SUPPORT	1	1											
31	12040858	TERMOSTATO 16A 85°C 6MM	THERMOSTAT 16A 85°C 6MM	2	2								X			
32	12045886	RESISTENCIA 4,5KW TRIPLE	TRIPLE RESISTOR 4,5KW	1	1								X			
33	12049715	SOPORTE RESISTENCIA TANQUE	TUB RESOSTOR SUPPORT	1	1											
34	12023830	LIMITADOR TECASA 125°C	TECASA THERMOSTAT 125°C	1	1								X			
35	12022151	AMARRE LIMITADOR TECASA	TECASA THERMOST. SUPPORT	1	1											
36	12025036	CONJUNTO SONDA 64kOHM NTC	64kOHM NTC THERMOSTAT	2	2											

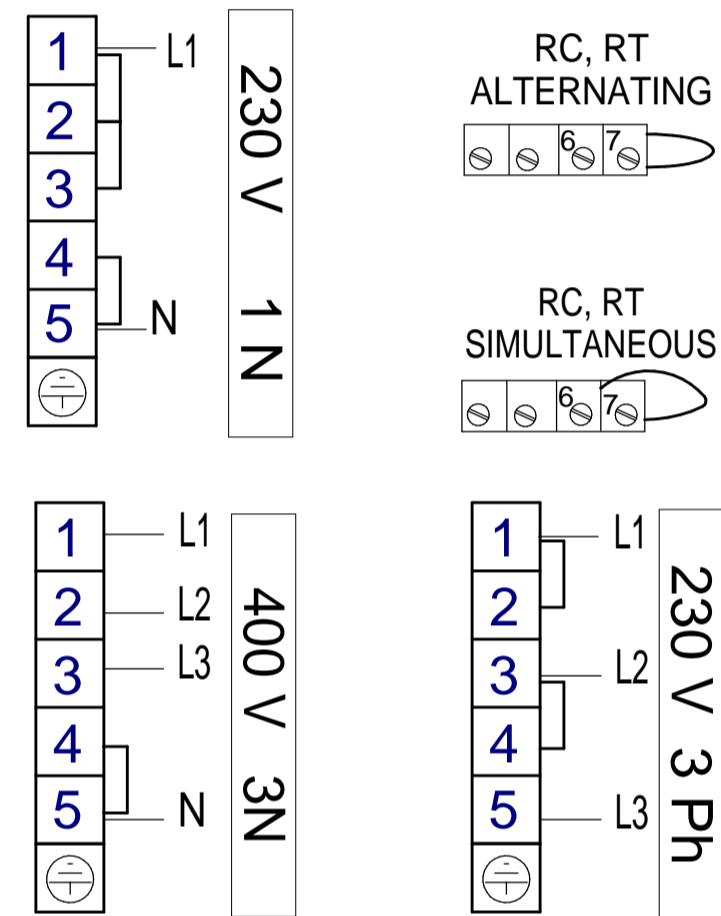
ITEM	REFERENCIA REFERENCE	DENOMINACIÓN	DENOMINATION	CO-112	CO-172							RECOMMENDED	ELIMINADO ELIMINATED	INTRODUCIDO INTRODUCED	NOTAS / NOTES
	12009946	CABLEADO TENSOR	TENSIONER WIRING	1	1										
	12120045	INSTALACIÓN ELÉCTR CO 120 W UL	CO 120 W UL ELECTRICAL WIRING	1	1										
	12115668	CABLEADO PORTAMANDOS EVAD 21	CONTROL PANEL WIRING EVAD 21	1	1										
	12114419	CABL.PORTAMAN. CO 21, 64, 120, W	CTRL. PANEL WIRING CO 21, 64, 120	1	1										

ZONA / ZONE		RECOMENDADOS / RECOMMENDED								LÁMINA / DRAWING				FAGOR 	
ITEM	REFERENCIA REFERENCE	DENOMINACIÓN	DENOMINATION	CO-112	CO-112 DD	CO-112 B	CO-112 B DD	CO-172	CO-172 DD	CO-172 B	CO-172 B DD	ELIMINADO ELIMINATED	INTRODUCIDO INTRODUCED	NOTAS / NOTES	
2	12043287	MOTOBOMBA 590KW 50Hz	WASHIG PUMP 590KW 50Hz	1	1	1	1	2	2	2	2			C-3351	
2	12102834	MOTOBOMBA 590KW 60Hz	WASHIG PUMP 590KW 60Hz	1	1	1	1	2	2	2	2			C-3351	
7	12024376	CONDENSADOR 10MF	10MF CONDENSER	1	1	1	1	2	2	2	2			C-3351	
1	12024216	DOSIF. DGTE REGULABLE G300	DETERG. REGUL. DISPENSER	_	1	_	1	_	1	_	1			C-3352	
5	12024473	MANGUERA DESAGÜE	DRAINING PIPE	1	1	_	_	1	1	_	_			C-3353	
2	12023456	BOMBA DESAGUE	DRAINING PUMP	_	_	1	1	_	_	1	1			C-3354	
9	12041934	MANGUERA DESAGÜE	DRAINING PIPE	_	_	1	1	_	_	1	1			C-3354	
1	12045206	DOSIFICADOR ABRILL. AQUA	AQUA RINSE AID DISPENSER	1	1	1	1	1	1	1	1			C-3355	
3	12095427	E.V SIMPLE 220V SALIDA A 90º	SIMPLE E.V 90º EXIT	1	1	1	1	1	1	1	1			C-3355	
5	12024568	VALVULA ANTIRRETORNO	NON-RETURN VALVE	1	1	1	1	1	1	1	1			C-3355	
11	12093675	PRESOSTAT. DOBLE 125/20-190/165	125/20-190/165 PRESSURE SWITCH	1	1	1	1	1	1	1	1			C-3356	
14	12096597	TERM. SEG. 261B 110ºC FAST 90	SEC. THERM. 261B 110ºC FAST 90	1	1	1	1	1	1	1	1			C-3356	
16	12111795	CONTACTOR 230V 4VIAS UL	230V 4WAY UL CONTACTOR	2	2	2	2	_	_	_	_			C-3356	
16	12024040	CONTACTOR 230V 4VIAS UL	230V 4WAY UL CONTACTOR	_	_	_	_	2	2	2	2			C-3356	
16A	12119174	CONTACTOR AUXILIAR 10A 400V UL	10A 400V AUX. CONTACTOR UL	_	_	_	_	1	1	1	1			C-3356	
17	12024011	CONTACTOR 16A 4VIA UL	16A 4VIA CONTACTOR UL	1	1	1	1	2	2	2	2			C-3356	
18	12024012	CONTACTOR 16A 4VIA UL	16A 4VIA CONTACTOR UL	1	1	1	1	1	1	1	1			C-3356	
19	12024477	INTERRUPTOR MAGNETICO	MAGNETIC SWITCH	1	1	1	1	1	1	1	1			C-3356	
21	12008750	CONTROL TARJETA 5 REL. AC 50/60	5 REL. AC 50/60 CONTROL CARD	1	1	1	1	1	1	1	1			C-3356	
23	12024028	VISUALIZADOR 12V DC 4DIG. 7SEG.	12V DC 4DIG. 7SEG. DISPLAY	1	1	1	1	1	1	1	1			C-3356	
24	12093146	CAMPANA TANQUE	TUB'S PRESSURE CHAMBER	1	1	1	1	1	1	1	1			C-3356	
26	12024732	RESISTENCIA CALDERIN COMPLETA	COMPLETE BOILER RESISTOR	1	1	1	1	_	_	_	_			C-3356	
26	12024146	RESISTENCIA CALDERIN COMPLETA	COMPLETE BOILER RESISTOR	_	_	_	_	1	1	1	1			C-3356	
27	12010051	JUNTA TÓRICA RESIS. CALDERIN	BOILER RESISTOR'S O-RING	1	1	1	1	1	1	1	1			C-3356	
29	12119109	EMBELLECEDOR CO-112-172	CO-112-172 STICKER	1	1	1	1	1	1	1	1			C-3356	
31	12040858	TERMOSTATO 16A 85°C 6MM	THERMOSTAT 16A 85°C 6MM	2	2	2	2	2	2	2	2			C-3356	
32	12045886	RESISTENCIA 4,5KW TRIPLE	TRIPLE RESISTOR 4,5KW	1	1	1	1	1	1	1	1			C-3356	
34	12023830	LIMITADOR TECASA 125°C	TECASA THERMOSTAT 125°C	1	1	1	1	1	1	1	1			C-3356	

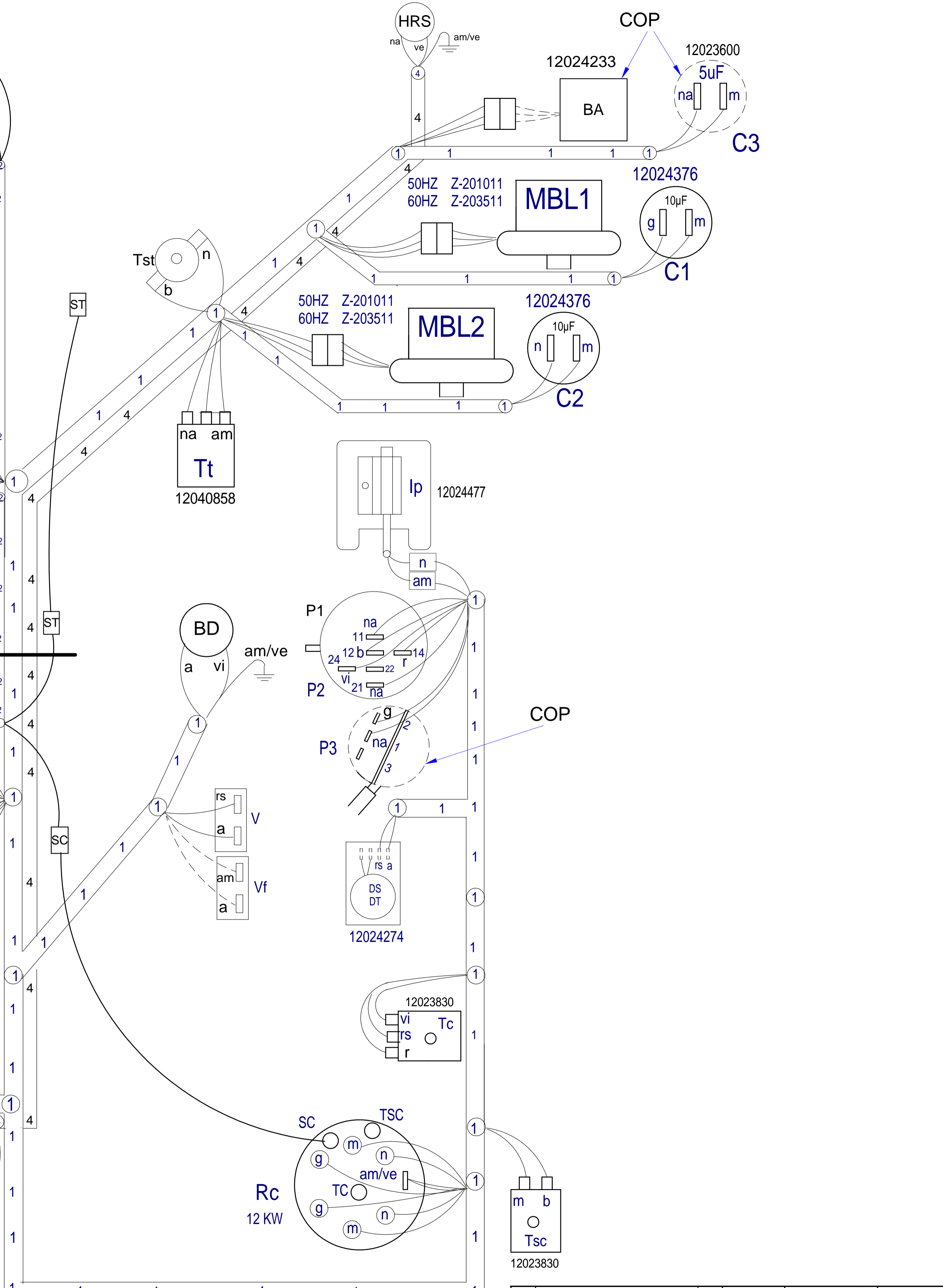
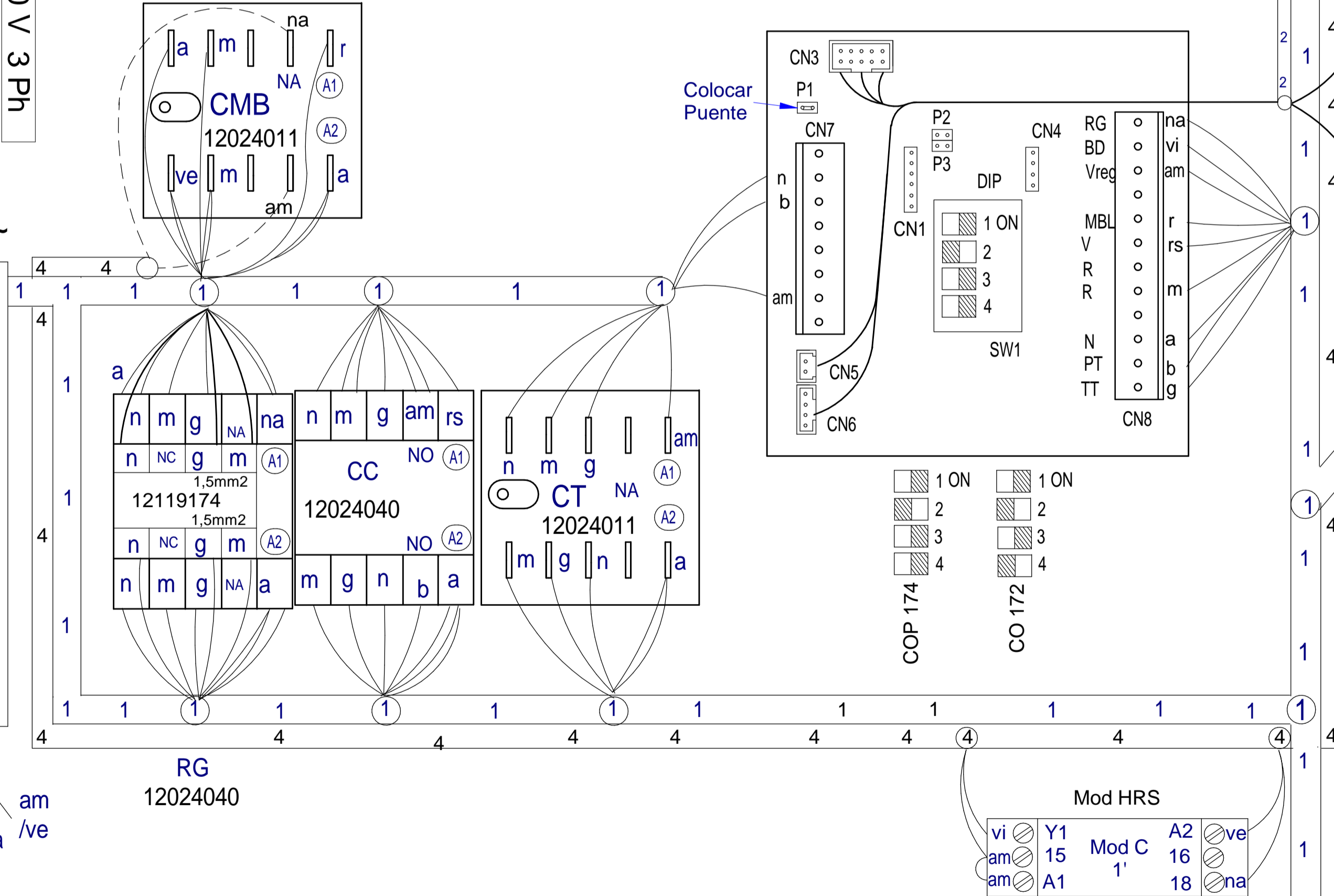
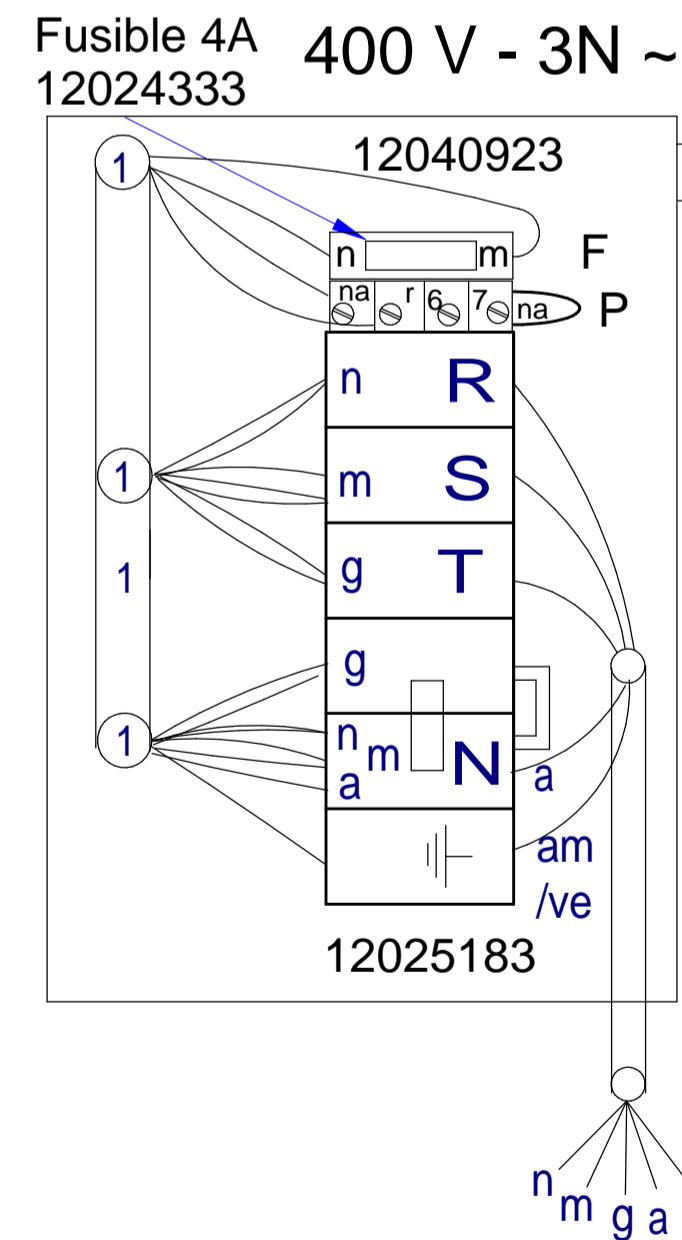
①	12120045
②	12115668
② W	12114419
④ HRS	12119239
Prensa estopas	12009927
Esquema teorico	12103187
Indicador de componentes	12022162
Leyenda	12103338



CO 172, COP 174W

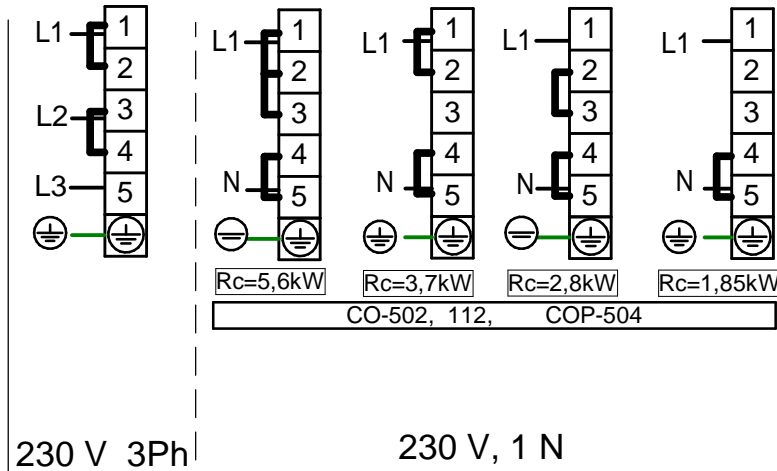
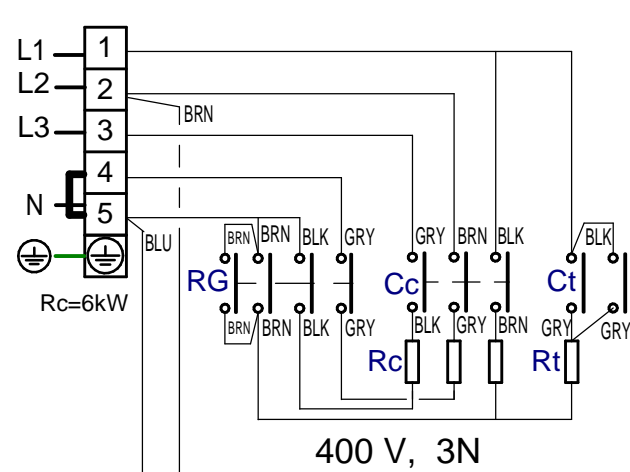


Nota: Todos los cables hembra que queden sin conectar se les colocaran una funda para macho Q-578006

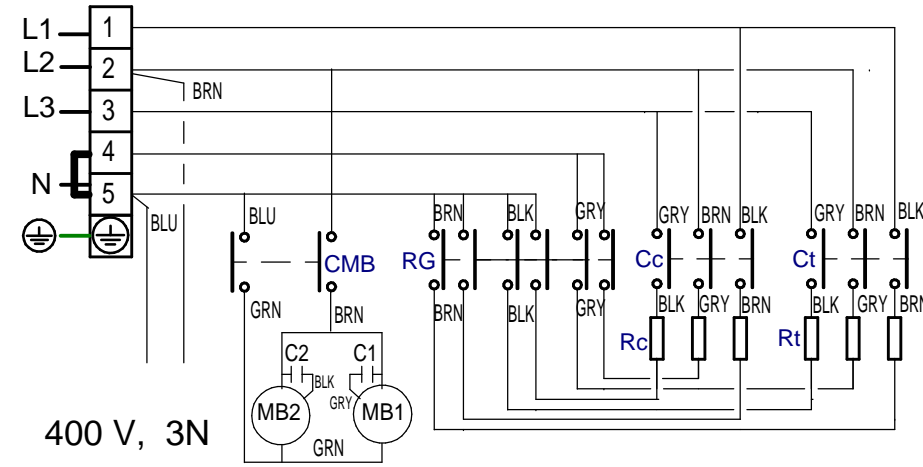


Nº		Plano Montaje CO 172, COP 174W (120 W)		12114495	CODE		MATERIAL	TREATMENT			
GENERAL TOLERANCES:				ISO 2768-1		Very Coarse		SHEET FORMAT:	A1		
DIMENSIONS:				±0.05		±0.10		DESIGN CENTER:	ONA		
POSITIONS:				±0.10		±0.20		MAT STATUS:			
ANGLES:				±0.5'		±1.0'		DOC STATUS:			
SURF. FINISH:				Ra 3.2		Ra 6.3		DESIGNED BY:			
MATERIALS:				S235JR		S235JR		VALIDATED BY:			
COATING:				Zn		Zn		DATE:	12.06.2014		
DRAWING SCALE:				1:1		1:1		SHEET:	1 / 1		
PROJECT:				LAVAVAJILLAS		M.Mello		A.G.	SCALE:	1:1	
REVISION:				12114495				PROPOSED BY:		ISSUE DATE:	

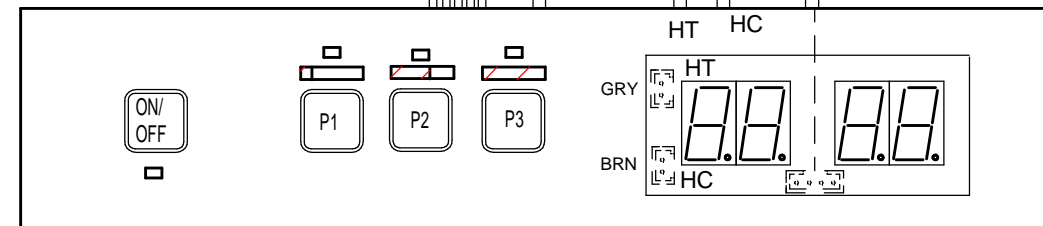
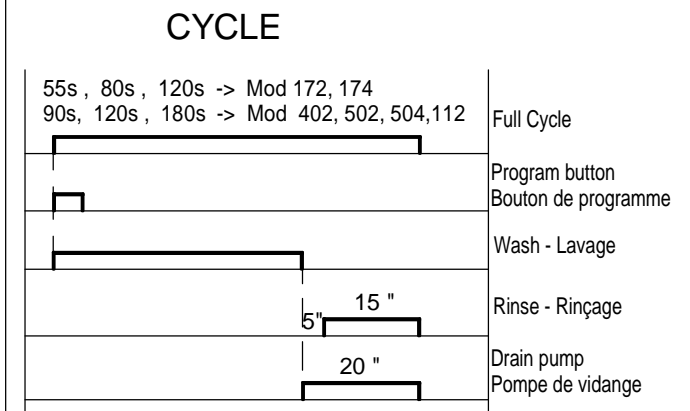
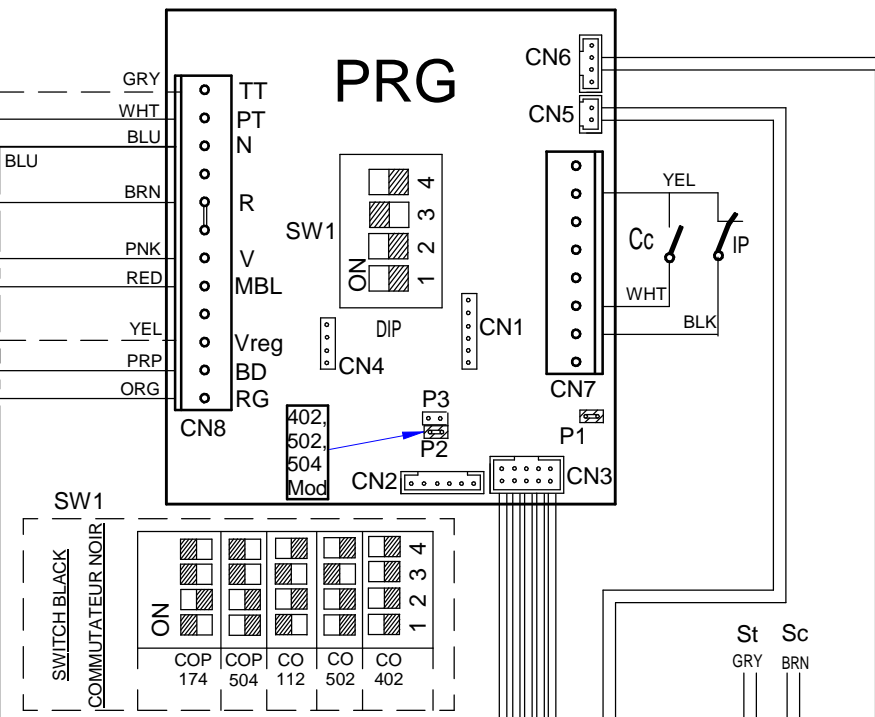
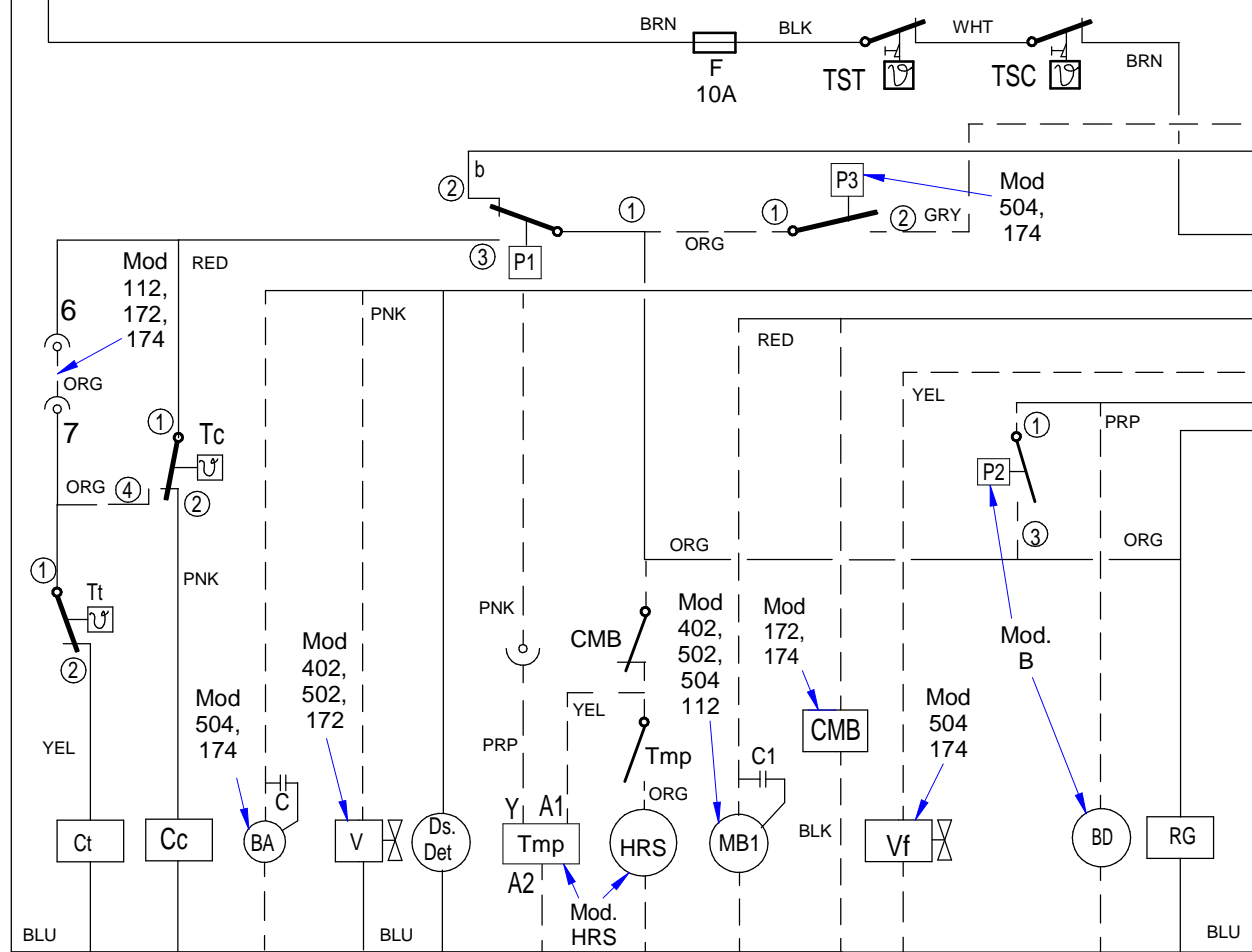
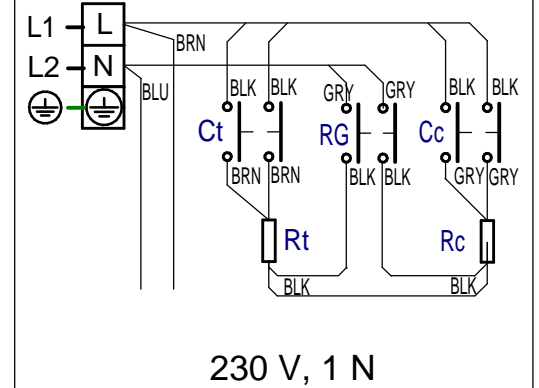
CO-502, COP-504



CO 112, 172, COP-174



CO 352, 402



12121300

- Esquema Teorico CO XX2, COP XX4, -		12121300																																																																																	
Nº	TITLE	QTY	CODE																																																																																
GENERAL TOLERANCES: ISO 2768-1 Very Coarse		MATERIAL																																																																																	
<table border="1"> <tr> <th>LINEAR</th> <th>Fine</th> <th>Medium</th> <th>Coarse</th> <th>Very Coarse</th> <th>ANGULAR</th> <th>Fine</th> <th>Medium</th> <th>Coarse</th> <th>Very Coarse</th> </tr> <tr> <td><3mm</td> <td>±0.05</td> <td>±0.10</td> <td>±0.15</td> <td>±0.20</td> <td><10mm</td> <td>±1°</td> <td>±1°30'</td> <td>±2°</td> <td>±3°</td> </tr> <tr> <td>3-6mm</td> <td>±0.05</td> <td>±0.10</td> <td>±0.20</td> <td>±0.50</td> <td>10-50mm</td> <td>±30'</td> <td>±1°</td> <td>±2°</td> <td>±3°</td> </tr> <tr> <td>6-30mm</td> <td>±0.10</td> <td>±0.20</td> <td>±0.50</td> <td>±1.20</td> <td>50-120mm</td> <td>±20'</td> <td>±30'</td> <td>±1°</td> <td>±1°</td> </tr> <tr> <td>30-120mm</td> <td>±0.15</td> <td>±0.30</td> <td>±0.80</td> <td>±2.00</td> <td>120-400mm</td> <td>±10'</td> <td>±15'</td> <td>±30'</td> <td>±1°</td> </tr> <tr> <td>120-400mm</td> <td>±0.20</td> <td>±0.50</td> <td>±1.20</td> <td>±3.00</td> <td>>400mm</td> <td>±5'</td> <td>±10'</td> <td>±20'</td> <td>±1°</td> </tr> <tr> <td>400-1000mm</td> <td>±0.30</td> <td>±0.80</td> <td>±2.00</td> <td>±3.00</td> <td></td> <td></td> <td></td> <td></td> <td></td> </tr> <tr> <td>1000-2000mm</td> <td>±0.50</td> <td>±1.20</td> <td>±3.00</td> <td></td> <td></td> <td></td> <td></td> <td></td> <td></td> </tr> </table>		LINEAR	Fine	Medium	Coarse	Very Coarse	ANGULAR	Fine	Medium	Coarse	Very Coarse	<3mm	±0.05	±0.10	±0.15	±0.20	<10mm	±1°	±1°30'	±2°	±3°	3-6mm	±0.05	±0.10	±0.20	±0.50	10-50mm	±30'	±1°	±2°	±3°	6-30mm	±0.10	±0.20	±0.50	±1.20	50-120mm	±20'	±30'	±1°	±1°	30-120mm	±0.15	±0.30	±0.80	±2.00	120-400mm	±10'	±15'	±30'	±1°	120-400mm	±0.20	±0.50	±1.20	±3.00	>400mm	±5'	±10'	±20'	±1°	400-1000mm	±0.30	±0.80	±2.00	±3.00						1000-2000mm	±0.50	±1.20	±3.00								
LINEAR	Fine	Medium	Coarse	Very Coarse	ANGULAR	Fine	Medium	Coarse	Very Coarse																																																																										
<3mm	±0.05	±0.10	±0.15	±0.20	<10mm	±1°	±1°30'	±2°	±3°																																																																										
3-6mm	±0.05	±0.10	±0.20	±0.50	10-50mm	±30'	±1°	±2°	±3°																																																																										
6-30mm	±0.10	±0.20	±0.50	±1.20	50-120mm	±20'	±30'	±1°	±1°																																																																										
30-120mm	±0.15	±0.30	±0.80	±2.00	120-400mm	±10'	±15'	±30'	±1°																																																																										
120-400mm	±0.20	±0.50	±1.20	±3.00	>400mm	±5'	±10'	±20'	±1°																																																																										
400-1000mm	±0.30	±0.80	±2.00	±3.00																																																																															
1000-2000mm	±0.50	±1.20	±3.00																																																																																
GENERAL TOLERANCE FOR FORM AND POSITION: ISO 2768-2		LAVAVAJILLAS																																																																																	
DESIGNED BY: M.Maillo		VALIDATED BY: A.gallastegui																																																																																	
DATE: 19.01.2015		SHEET: 1 / 1																																																																																	
SCALE: 1:1		ISSUE DATE:																																																																																	

12121300

REVISION

PROPOSED BY: -

ISSUE DATE:

LEYENDA APERTURA FRONTAL Y CAPOTA

	ESPAÑOL	ENGLISH	FRANÇAIS	DEUTSCH	ITALIANO	中文
Ⓐ Ⓑ	Puntos de conexion con R	Conection point with R	Points de connexion R	Anschlußpunkte mit R	Punti di collegamento con R	带R接触点
BA	Bomba Aclarado	Rinse pump				
BD	Bomba desagüe	Drain pump	Pompe de vidange	Abflußpumpe	Pompa scarico	排水泵
C1, C2, C3	Condensador	Condenser	Condensateur	Kondensator	Condensatore	电容
CMB	Contactora bomba lavado	Wash pump contactor	Contacteur pompe lavage	Türrelais	Contactore pompa lavaggio	清洗泵接触器
Cc	Contactora calentamiento calderin	Boiler heating contactor	Contacteur chauff. surchauffeur	Kontaktschutz Waschpumpe	Contactore riscaldamento boiler	升温箱加热接触器
Ct	Contactora calentamiento tanque	Tank heating contactor	Contacteur chauffage cuve	Kontaktschutz Boilerheizung	Contactore riscaldamento serbatoio	水箱加热接触器
CP	Rele puerta	Door relay	Relais porte	Kontaktschutz Heizung Tank	Rele porta	门继电器
Ds.	Dosificador	Detergent doser	Dosseur	Dosierer Spülmittel	Dosatore detersivo	清洗剂药液泵
E.B	Electrobomba de presion	Electric pressure pump	Electropompe de pression	Elektro-Drucksteigerungspumpe	Electropompa pressione	电子压力泵
IG	Interruptor general	Main switch	Interrupteur general	Hauptschalter	Interruttore generale	主开关
IP	Micro puerta	Door microswitch	Micro porte	Mikroschalter Tür	Micro porta	门磁开关
H1	Piloto de encendido	Operation light	Voyant fonctionnement	Betriebsanzeigelampe	Spia accensione	运行指示灯
H2	Piloto marcha	Start light	Voyant demarrage	Startanzeigelampe	Spia avvio	开始指示灯
H3	Piloto maquina preparada	Light machine ready	Voyant machine prêt	Betriebsbereitschaftsanzeigelampe	Pilota macchina preparata	加热完成指示灯
HSal	Piloto falta de Sal	Light Lack of Salt				
MB1, MB2	Bomba lavado	Wash pump	Pompe lavage	Waschpumpe	Pompa lavaggio	清洗泵
M	Motor programador	Motor programmer	Moteur du programmeur	Motor Programmiervorrichtung	Motore programmatore	程序电机
M Av. R	Motor program. avance rapido	Motor program. rapid advance	Moteur du progr.avance rapide	Motor Programmiervorrich. Betrieb	Motore programmatore avanzamento rapido	程序电机 高速高级
M1	Micro programador marcha	Micro programmer on	Micro du programm. de marche	Motor Programmiervorrich. Waschen	Micro programma. di funzionamento	微程序 开
M2	Micro programador lavado	Micro programmer wash	Micro du programm. de lavage	Motor Programmiervorrich. Spülen	Micro programmatore di lavaggio	微程序 清洗
M3	Micro programador aclarado	Micro programmer rinse	Micro du programm. de rinçage	Motor Programmiervorrich. Vorlauf	Micro programmatore di risciacquo	微程序 喷淋
M4, M5	Micro programador avance	Micro programmer advance	Micro du programm. avance	Motor Programmiervorrich. schneller Vorlauf	Micro programmatore avanzamento	微程序 高级
P1, P3	Presostato	Pressure switch	Pressostat	Druckwächter	Pressostato	压力开关
P2	Presostato limitador	Hi-limit pressure switch	Pressostat de sécurité	Begrenzer Druckwächter	Pressostato limitatore	高水位限制 压力开关
R	Rele de Generador de A.C.	Generator relay	Relais du Generateur	Relais Generator	Rele Generatore	热水供应器继电器
RG	Rele General	Main Relay		Stromversorgungsanschluß Gener.		
Ⓒ Ⓓ Ⓔ Ⓕ	Alimentac. Generador A.C.	Water heater feeding	Alimentation generateur		Alimentazione generatore	热水供应器电源线
RC	Resistencia calderin	Boiler heating element	Resistance surchauffeur	Heizwiderstand Boiler	Resistenza boiler	升温箱加热管
RT	Resistencia tanque	Tank heater	Resistance cuve	Heizwiderstand Tank	Resistenza serbatoio	水箱加热管
Tt	Termostato tanque	Tank thermostat	Thermostat de cuve	Thermostat Tank	Termostato serbatoio	水箱温控器
TC	Termostato calderin	Boiler thermostat	Thermostat surchauffeur	Thermostat kessel	Termostato boiler	升温箱温控器
Tst	Limitador tanque	Tank limiter	Limiteur de cuve	Begrenzer Tank	Limitatore serbatoio	水箱安全温控器
TSC	Limitador calderin	Boiler Hi-limit	Limiteur surchauffeur	Begrenzer Boiler	Limitatore boiler	升温箱安全温控器
TSTP	Termostato termo-stop	Thermo-stop Thermostat	Thermostat Thermo-stop	Thermostat Thermo-stop	Termostato Thermo-stop	温度停止温控器
V	Electrovalvula llenado y aclarado	Fill and rinse valve	Electrovan. remplissage rinçage	Elektroventil Füllen und Spülen	Elettrovalv. riempimento e risciacquo	电磁阀
Vf	Electrovalvula Aclarado Frio	Cold Water rinse valve				
VR1, VR2, VR3, BR	Electrovalvula Descalcificacion	Soft Water valve				
VE,	Ventilador cuadro electrico	Switchboard fan	Ventilateur tableau electrique	Schalttafelventilator	Ventilatore quadro elettrico	风机
HRS	Sistema recuperacion energia	Heat Recovery System				
COLOR	COLORES	COLOUR	COULEURS	FARBEN	COLORE	颜色
a = BLU =	Azul	Blue	Bleu	Blau	Blu	蓝
am = YEL =	Amarillo	Yellow	Jaune	Gelb	Giallo	黄
am/ve = YEL/GRN	Amarillo/verde	Yellow / green	Jaune / vert	Gelb/grün	Giallo/verde	黄/绿
b = WHT =	Blanco	White	Blanc	Weiß	Bianco	白
g = GRY =	Gris	Grey	Gris	Grau	Grigio	灰
m = BRN =	Marrón	Brown	Marron	Braun	Marrone	棕
n = BLK =	Negro	Black	Noir	Schwarz	Nero	黑
na = ORG =	Naranja	Orange	Orange	Orange	Arancio	橙
r = RED =	Rojo	Red	Rouge	Rot	Rosso	红
rs = PNK =	Rosa	Pink	Rose	Rosa	Roseo	粉
ve = GRN =	Verde	Green	Vert	Grün	Verde	绿
vi = PRP =	Violeta	Purple	Violet	Violett	Viola	紫