

DESPIECE TÉCNICO TECHNICAL PARTS

Lavavajillas
Dishwasher

MODELOS

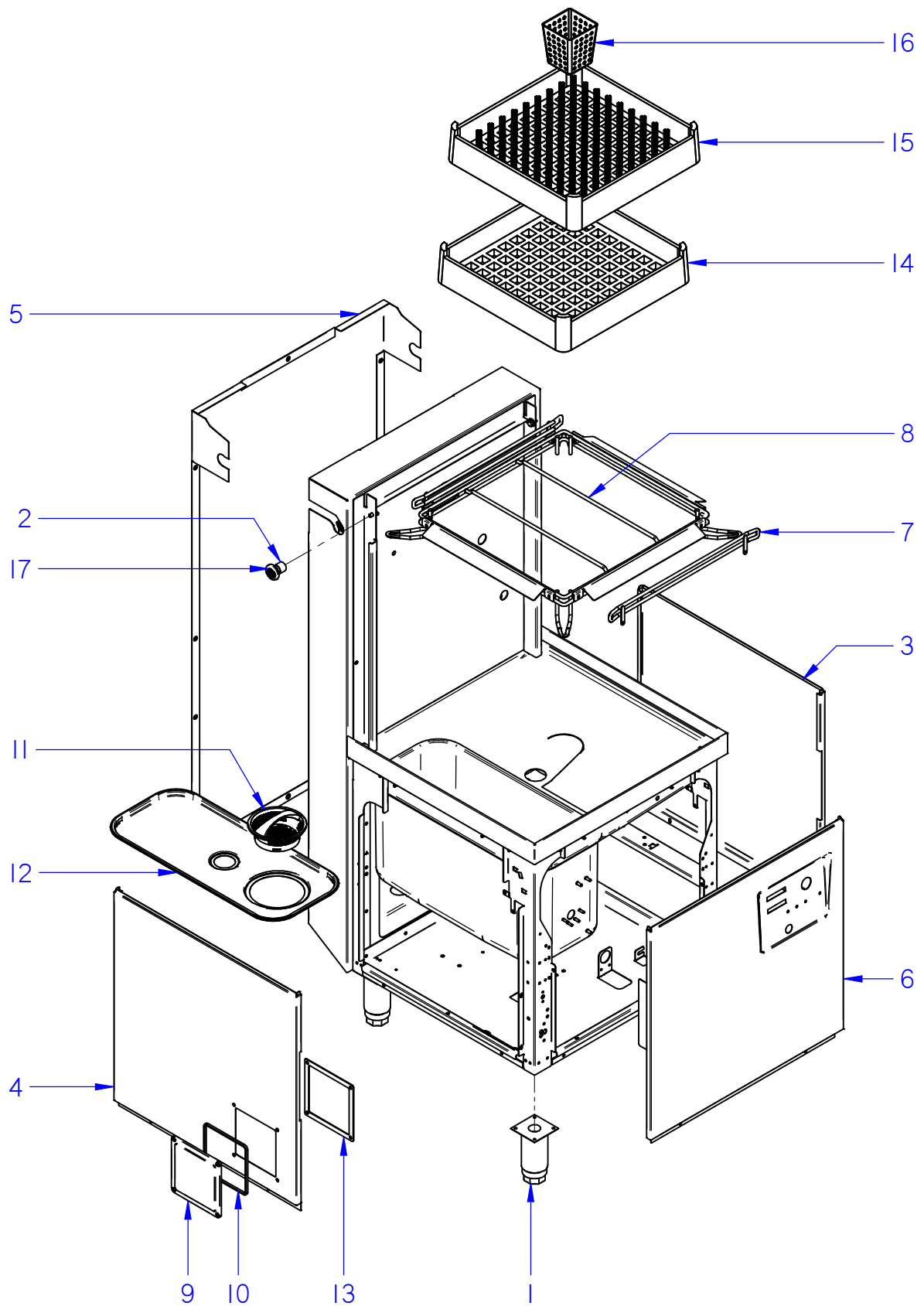
CO-110 / DD / B / B DD

CO-170 / DD / B / B DD / SOFT / HRS / HRS DD / HRS SOFT

Diciembre 2014 December

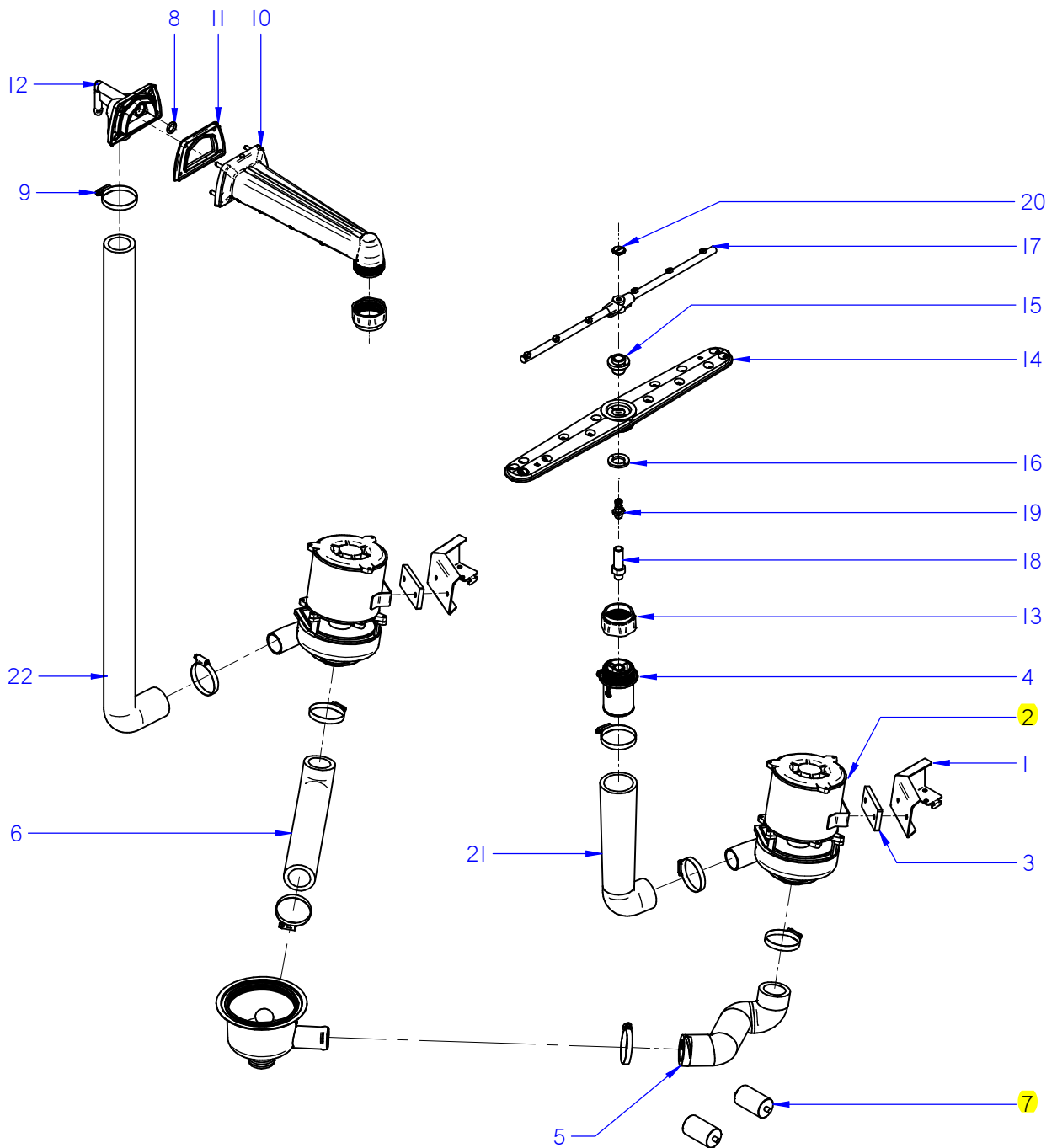
Revisado Julio 2015 July Revised





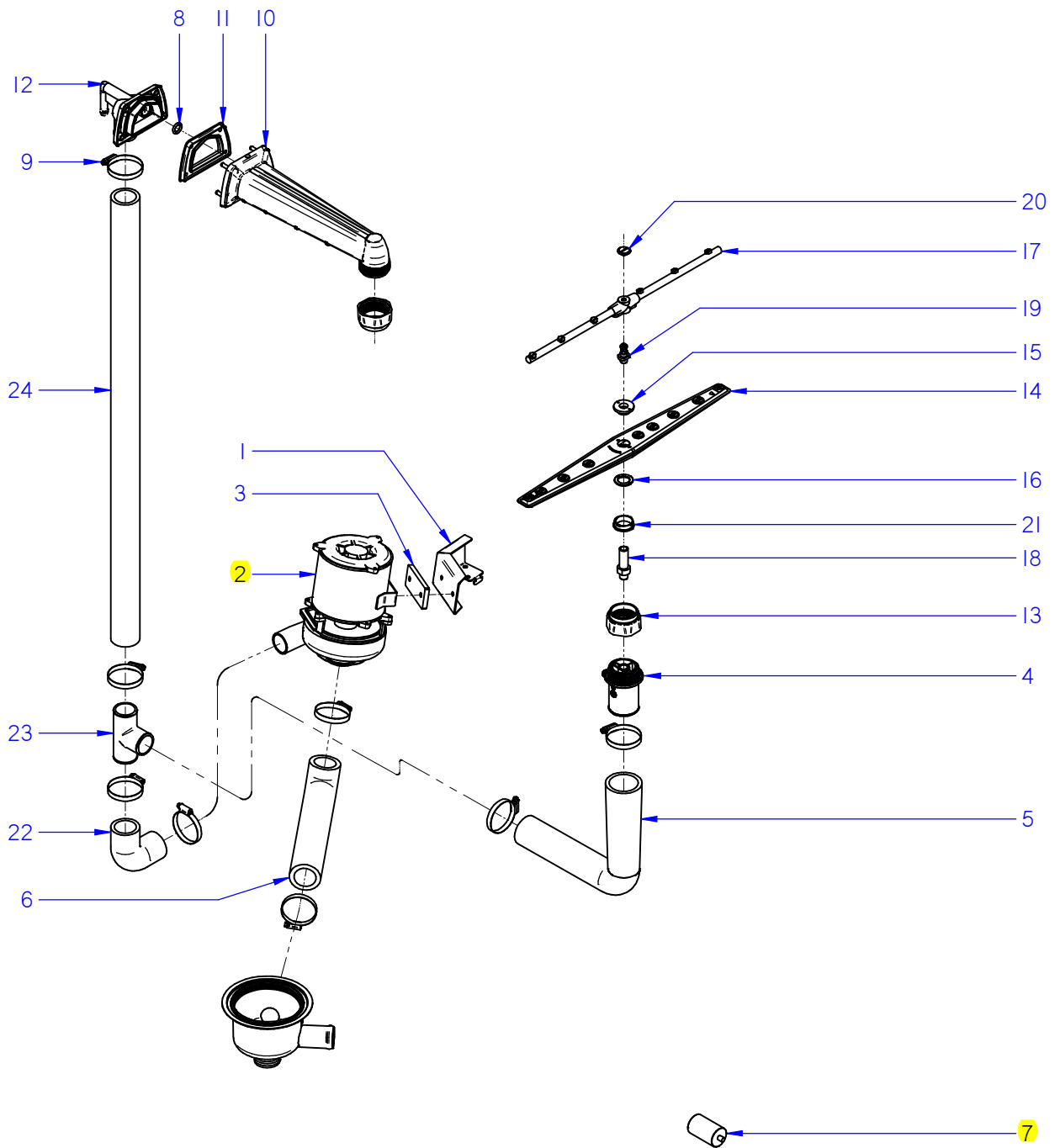
ITEM MARCADO EN COLOR = REPUESTO RECOMENDADO
 COLOURED ITEM = RECOMMENDED SPARE PART

N plano / Drawing N.	Firma / Signature	Fecha / Date	Aparato / Appliance	MUEBLE / FRAME	Lamina / Sheet	Fagor Industrial S.Coop. FAGOR
C-3292	Iban R.	07-2015	LAVAVAJILLAS CO-110-170 DISHWASHER		1	Oñate



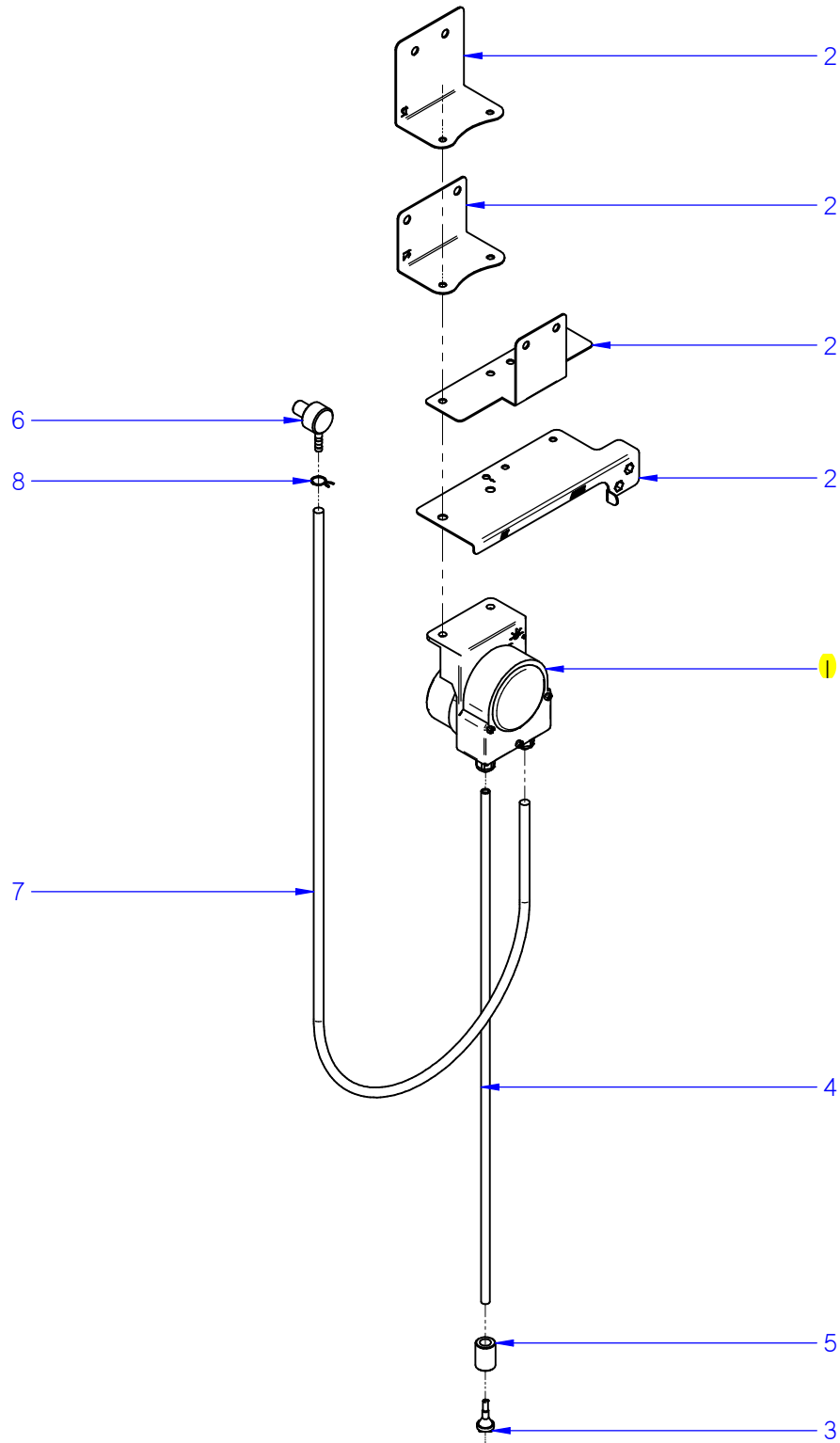
ITEM MARCADO EN COLOR = REPUESTO RECOMENDADO
 COLOURED ITEM = RECOMMENDED SPARE PART

N plano / Drawing N.	Firma / Signature	Fecha / Date	Aparato / Appliance	PARTE FUNCIONAL LAVADO / WASHING FUNCTIONAL PART	Lamina / Sheet	Fagor Industrial S.Coop. FAGOR
C-3294	Iban R.	10-2014	LAVAVAJILLAS CO-170	DISHWASHER	3	Oñate



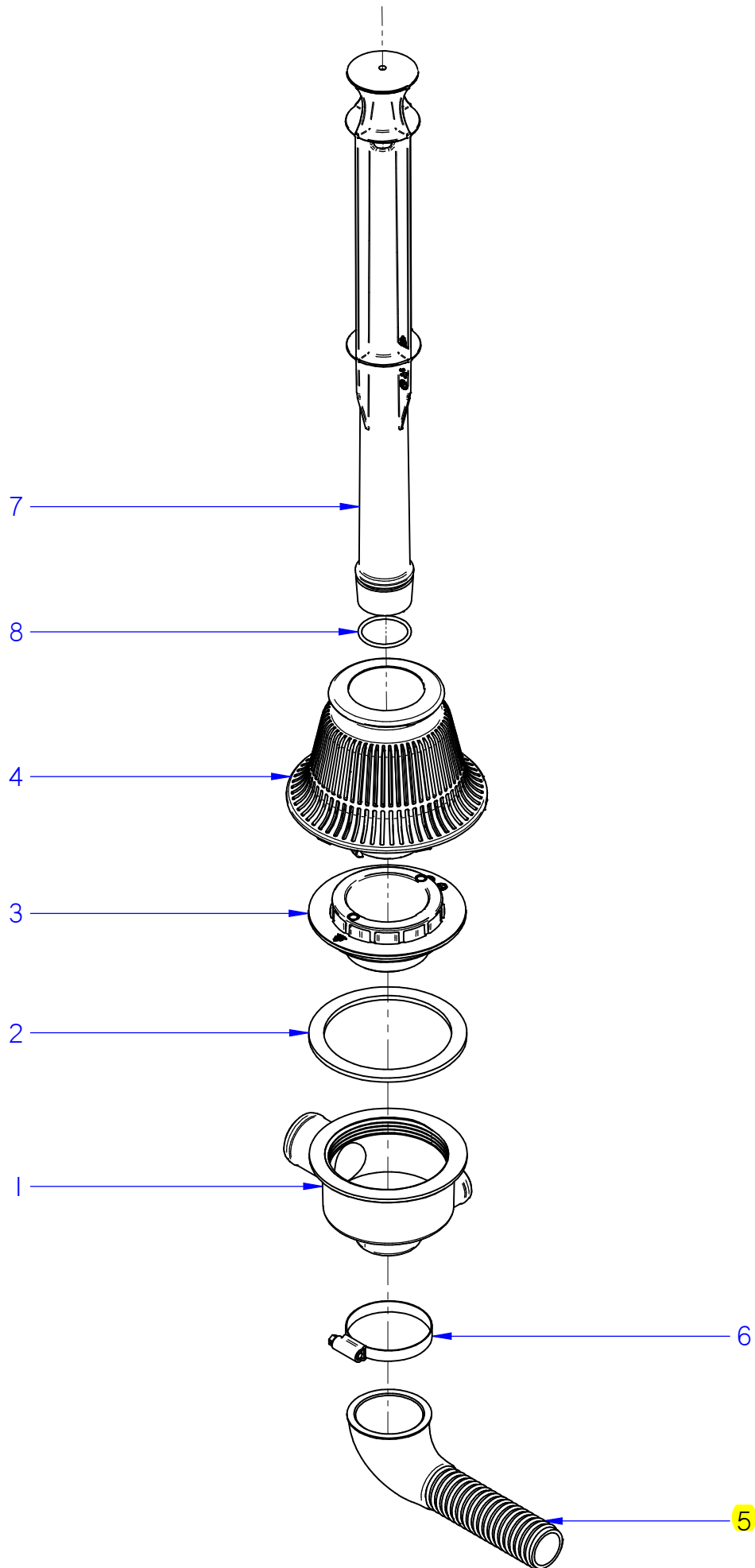
ITEM MARCADO EN COLOR = REPUESTO RECOMENDADO
 COLOURED ITEM = RECOMMENDED SPARE PART

N plano / Drawing N.	Firma / Signature	Fecha / Date	Aparato / Appliance	PARTE FUNCIONAL LAVADO / WASHING FUNCTIONAL PART	Lamina / Sheet	Fagor Industrial S.Coop. FAGOR
C-3295	Iban R.	10-2014	LAVAVAJILLAS CO-110	DISHWASHER	4	Oñate




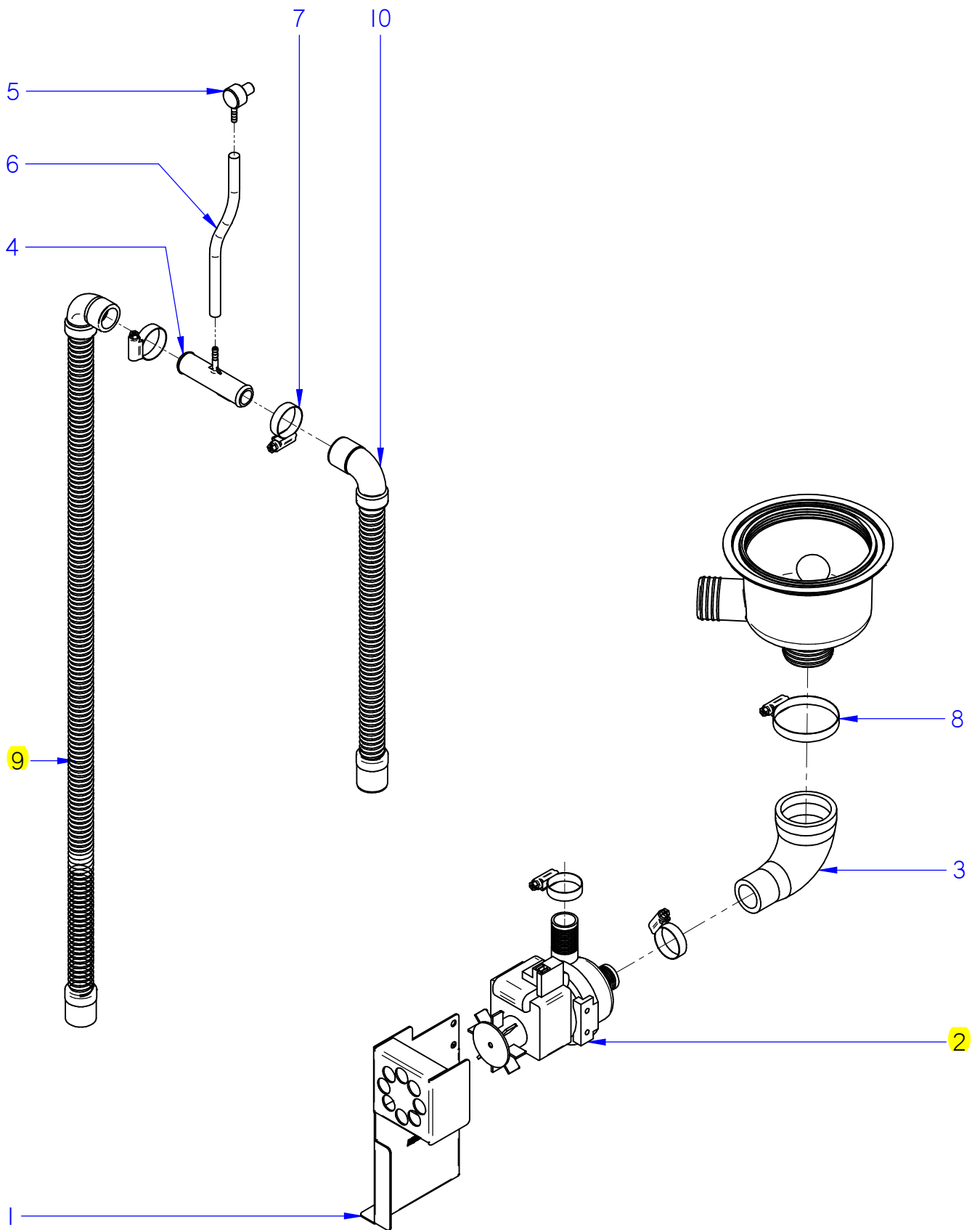
ITEM MARCADO EN COLOR = REPUESTO RECOMENDADO
 COLOURED ITEM = RECOMMENDED SPARE PART

N plano / Drawing N.	Firma / Signature	Fecha / Date	Aparato / Appliance	KIT DOSIFICADOR DETERGENTE / DETERGENT DISPENSER KIT	Lamina / Sheet	Fagor Industrial S.Coop. FAGOR
C-3296	Iban R.	10-2014	LAVAVAJILLAS CO-110-170	DISHWASHER	5	
						Oñate



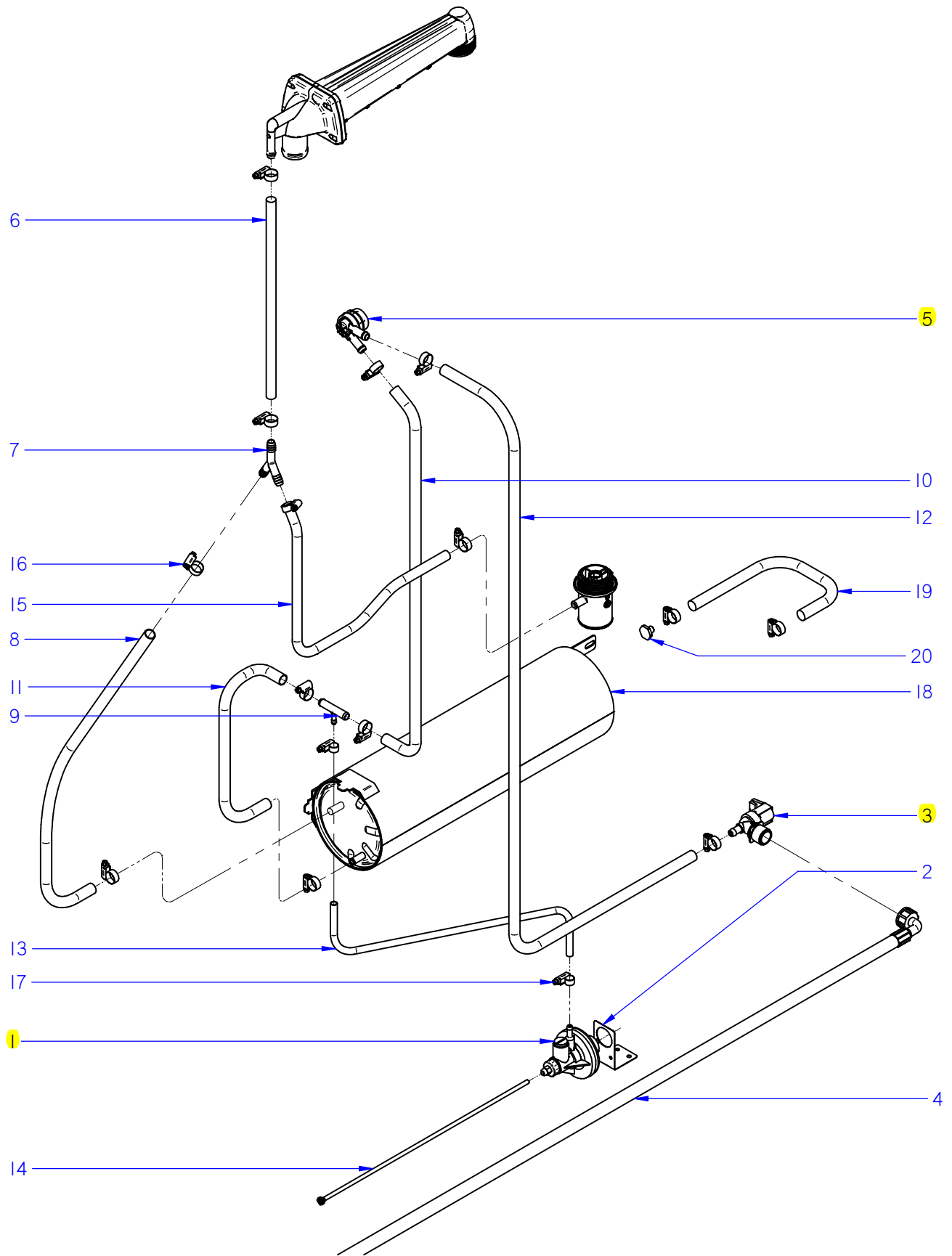
ITEM MARCADO EN COLOR = REPUESTO RECOMENDADO
 COLOURED ITEM = RECOMMENDED SPARE PART

N plano / Drawing N.	Firma / Signature	Fecha / Date	Aparato / Appliance	DESAGÜE / DRAINING PART	Lamina / Sheet	Fagor Industrial S.Coop. FAGOR
C-3297	Iban R.	10-2014	LAVAVAJILLAS CO-110-170 DISHWASHER		6	 FAGOR
						Note




ITEM MARCADO EN COLOR = REPUESTO RECOMENDADO
 COLOURED ITEM = RECOMMENDED SPARE PART

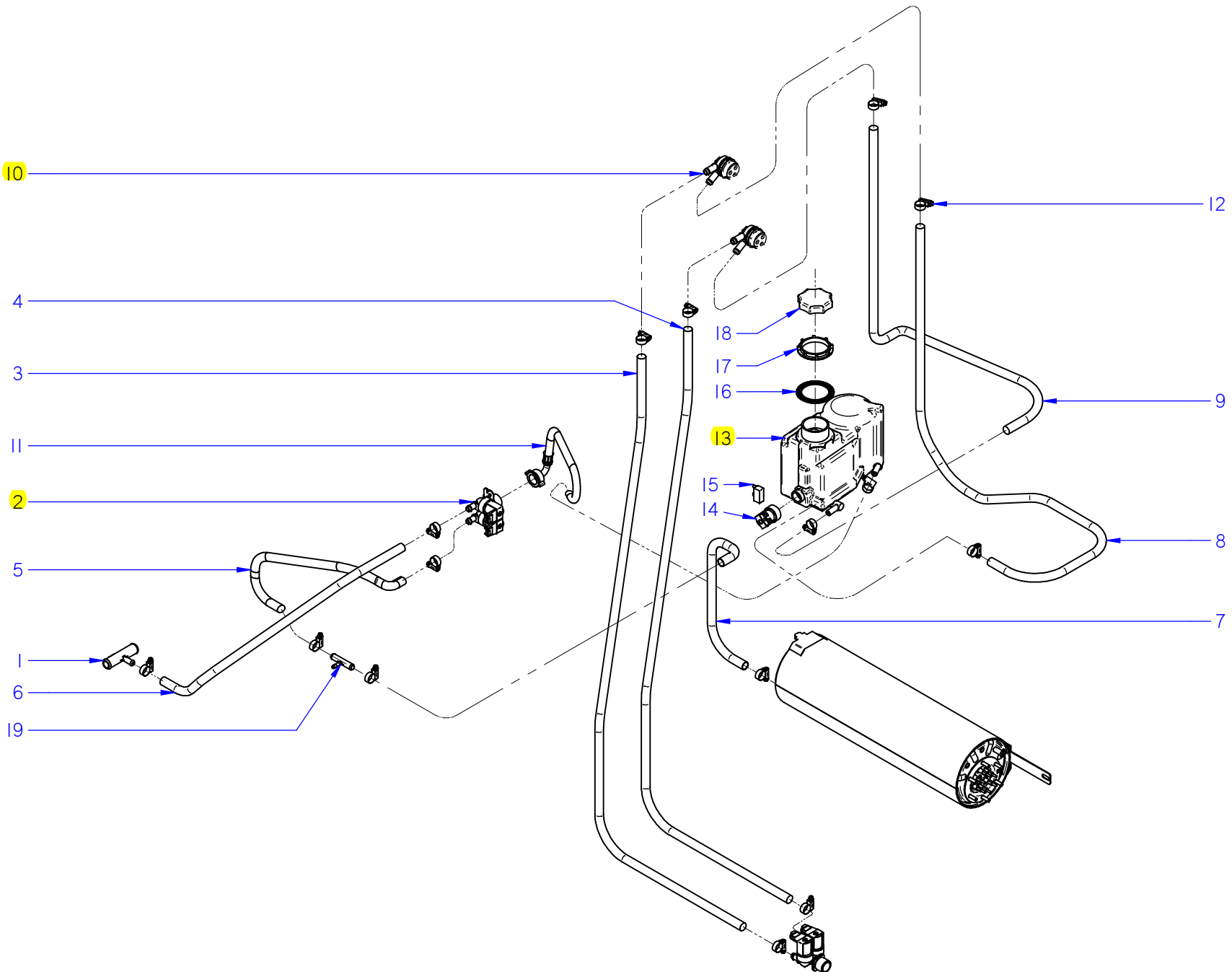
N plano / Drawing N.	Firma / Signature	Fecha / Date	Aparato / Appliance	KIT BOMBA DESAGÜE / DRAINING PUMP KIT	Lamina / Sheet	Fagor Industrial S.Coop. FAGOR
C-3298	Iban R	10-2014	LAVAVAJILLAS CO-110-170 DISHWASHER		7	Oñate



ITEM MARCADO EN COLOR = REPUESTO RECOMENDADO
 COLOURED ITEM = RECOMMENDED SPARE PART

N plano / Drawing N.	Firma / Signature	Fecha / Date	Aparato / Appliance	ACLARADO / RINSING PART	Lamina / Sheet	Fagor Industrial S.Coop. FAGOR
C-3299	Iban R.	10-2014	LAVAVAJILLAS CO-110-170 DISHWASHER		7	
						Oñate

ITEM MARCADO EN COLOR = REPUESTO RECOMENDADO
 COLOURED ITEM = RECOMMENDED SPARE PART



C-3301

N.º plano / Drawing N.º

Iban R.

Firma / Signature

2014-10

Fecha / Date

LAVAVAJILLAS CO-110-170 / SOFT DISHWASHER

Aparato / Appliance CONJUNTO ELECTRICO / ELECTRICAL PART

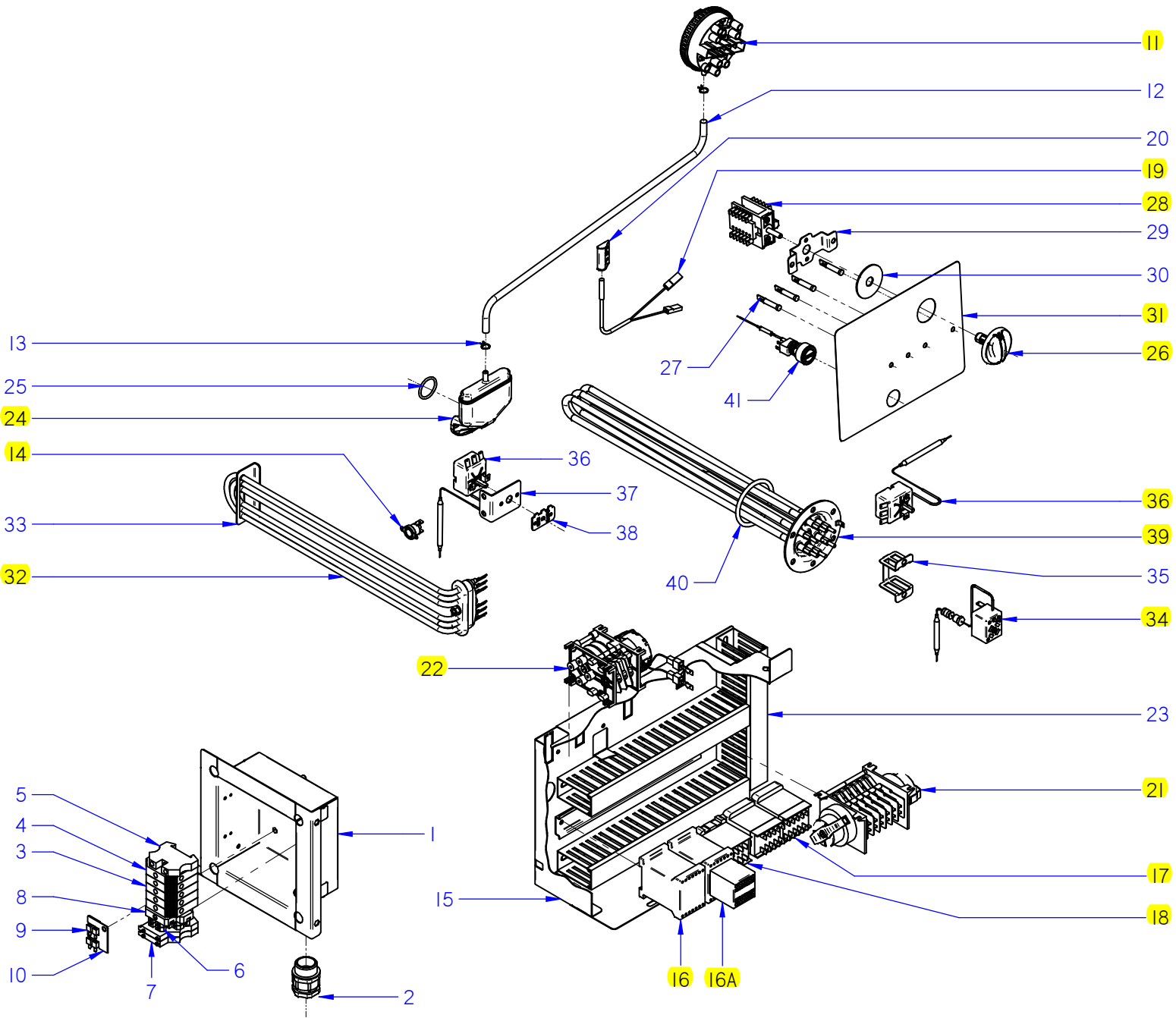
10

Lamina / Sheet

Opote

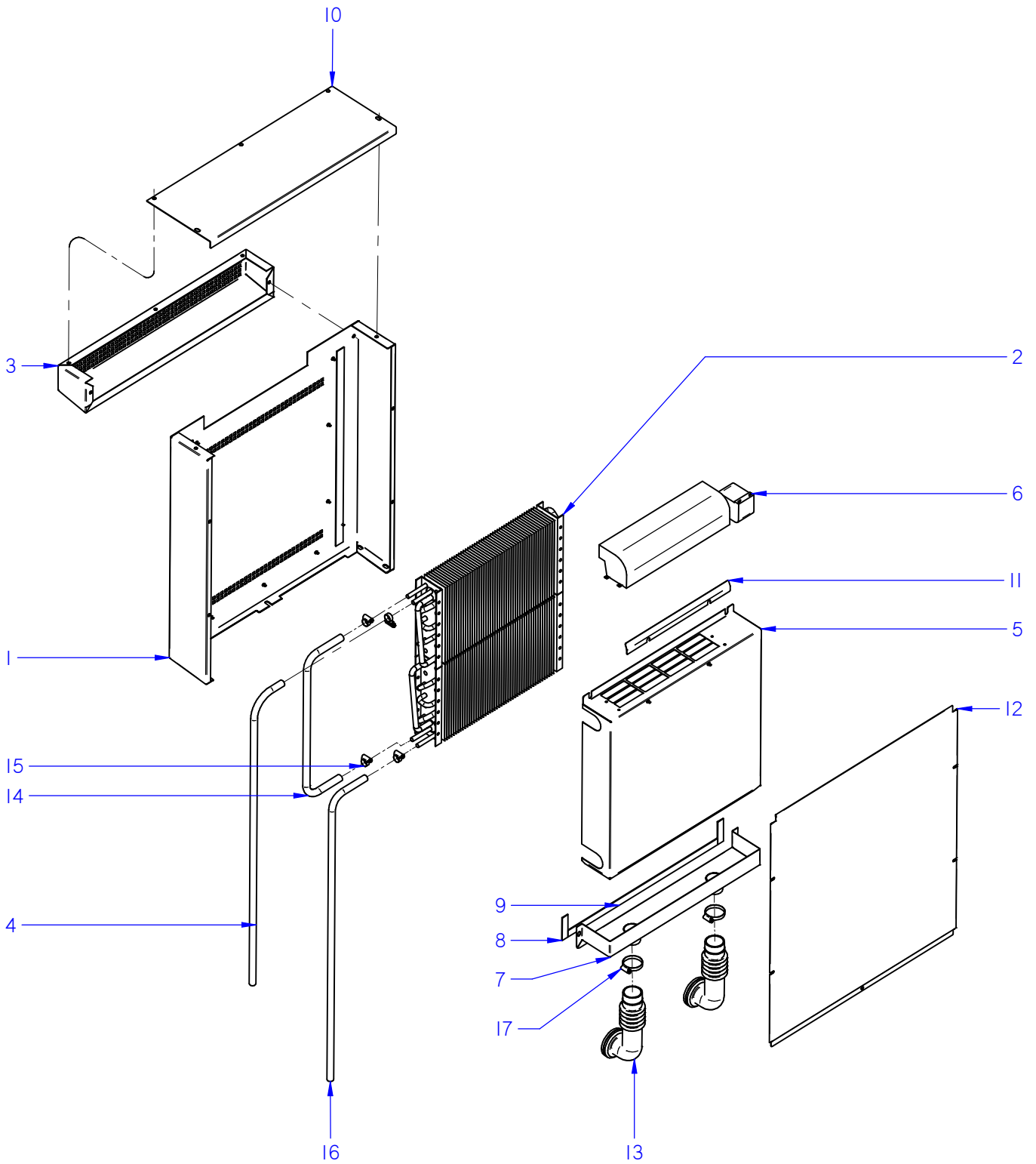
Fagor Industrial S. Coop. FAGOR

ITEM MARCADO EN COLOR = REPUESTO RECOMENDADO
COLOURED ITEM = RECOMMENDED SPARE PART




ZONA / ZONE	CONJUNTO ELECTRICO / ELECTRICAL PART	LÁMINA / DRAWING	C-3301	FAGOR 
--------------------	---	-------------------------	---------------	--

ITEM	REFERENCIA REFERENCE	DENOMINACIÓN	DENOMINATION	CO-110	CO-170	CO-170 SOFT					RECOMMENDED	ELIMINADO ELIMINATED	INTRODUCIDO INTRODUCED	NOTAS / NOTES
1	12120601	BASE CAJA CONEXIONES	CONNECTIONS BOX BASE	1	1	1								
2	12009927	PRENSA ESTOPAS PG-21	PG-21 CABLE GLAND	1	1	1								
3	12023373	BORNES 10 WDU-10203.O	10 WDU-10203.O TERMINAL	3	3	3								
4	12025224	BORNA DE PASO AZUL	BLUE TERMINAL	2	2	2								
5	12024743	BORNE TIER 10 WPE-10103.O	EARTH TERMINAL	1	1	1								
6	12025180	REGLETA BORNAJE 2 PISOS	2 LEVEL CONNECTION STRIP	2	2	2								
7	12025158	BORNAS PORTA FUSIBLES	FUSE HOLDER TERMINALS	2	2	2								
8	12024199	TOPE FINAL	FINAL END	1	1	1								
9	12103361	CONECTOR 2 VIAS 10mm 57A	2 WAY CONNECTOR 57A	3	3	3								
10	12103535	SOP. CONECTORES 2 VIAS	2 WAY CONNECTOR'S SUPP.	1	1	1								
11	12093675	PRESOSTAT. DOBLE 125/20-190/165	125/20-190/165 PRESSURE SWITCH	1	1	1					X			
12	11000066	TUBO GOMA NEGRO D 8x4	D 8x4 BLACK RUBBER PIPE	1	1	1								
13	12023707	BRIDA ELASTICA TUBO	ELASTIC CLAMP FOR PIPES	2	2	2								
14	12096597	TERM. SEG. 261B 110°C FAST 90	SEC. THERM. 261B 110°C FAST 90	1	1	1					X			
15	12047752	BASE CUADRO ELECTRICO	ELECTRIAL PANEL'S BASE	1	1	1								
16	12111795	CONTACTOR 230V 4VIAS UL	230V 4WAY UL CONTACTOR	2	-	-					X			
16	12024040	CONTACTOR 230V 4VIAS UL	230V 4WAY UL CONTACTOR	-	2	2					X			
16A	12123408	KIT CONTACTOR AUXILIAR 400V UL	KIT AUXILIARY CONTACTOR 400V UL	-	1	1					X			
17	12024011	CONTACTOR 16A 4VIA UL	16A 4VIA CONTACTOR UL	1	2	2					X			
18	12024012	CONTACTOR 16A 4VIA UL	16A 4VIA CONTACTOR UL	1	1	1					X			
19	12024477	INTERRUPTOR MAGNETICO	MAGNETIC SWITCH	1	1	1					X			
20	12024066	AMARRE INTERRUPTOR MAGNETICO	MAGNETIC SWITCH'S SUPPORT	1	1	1								
21	12096628	PROGRAMADOR 5 LEVAS 50HZ	5 CAM PROGRAMMER 50HZ	1	-	-					X			
21	12092148	PROGRAMADOR 5 LEVAS 50HZ	5 CAM PROGRAMMER 50HZ	-	1	1					X			
22	12024867	PROGRAMADOR REGENERACIÓN	SOFTENER PROGRAMMER	-	-	1					X			
23	11000162	CANAleta 60.30.77	60.30.77 CABLE CONDUIT	3	3	3								
24	12093146	CAMPANA TANQUE	TUB'S PRESSURE CHAMBER	1	1	1					X			
25	12093145	JUNTA TORICA CAMPANA	PRESSURE CHAMBER'S O-RING	1	1	1								
26	12115975	CONJUNTO MANDO CAPOTA	KNOB ASSEMBLED	1	1	1					X			
27	12087178	PILOTO BLANCO	WHITE PILOT	3	3	4								
28	12024932	CONMUTADOR 7 POSICIONES	7 POS. SWITCH FOR FUNCTIONS	1	1	1					X			
29	12049688	SOPORTE CONMUTADOR CONCEPT	SWITCH FOR FUNCTIONS SUPPORT	1	1	1								



ITEM MARCADO EN COLOR = REPUESTO RECOMENDADO
 COLOURED ITEM = RECOMMENDED SPARE PART

N plano / Drawing N.	Firma / Signature	Fecha / Date	Aparato / Appliance	HEAT RECOVERING SYSTEM	Lamina / Sheet	Fagor Industrial S.Coop. FAGOR
C-3302	Iban R	10-2014	LAVAVAJILLAS CO-170 HRS DISHWASHER		11	
						Oñate

ZONA / ZONE	RECOMENDADOS / RECOMMENDED	LÁMINA / DRAWING	FAGOR 
-------------	----------------------------	------------------	---

ITEM	REFERENCIA REFERENCE	DENOMINACIÓN	DENOMINATION	CO-170	CO-170 DD	CO-170 B	CO-170 B DD	CO-170 SOFT	CO-170 HRS	CO-170 HRS DD	CO-170 HRS SOFT	ELIMINADO ELIMINATED	INTRODUCIDO INTRODUCED	NOTAS / NOTES
2	12043287	MOTOBOMBA 590KW 50Hz	WASHIG PUMP 590KW 50Hz	2	2	2	2	2	2	2	2			C-3294
2	12102834	MOTOBOMBA 590KW 60Hz	WASHIG PUMP 590KW 60Hz	2	2	2	2	2	2	2	2			C-3294
7	12024376	CONDENSADOR 10MF	10MF CONDENSER	2	2	2	2	2	2	2	2			C-3294
1	12024216	DOSIF. DGTE REGULABLE G300	DETERG. REGUL. DISPENSER	-	1	-	1	-	-	1	-			C-3296
5	12024473	MANGUERA DESAGÜE	DRAINING PIPE	1	1	-	-	1	1	1	1			C-3297
2	12023456	BOMBA DESAGUE	DRAINING PUMP	-	-	1	1	-	-	-	-			C-3298
9	12041934	MANGUERA DESAGÜE	DRAINING PIPE	-	-	1	1	-	-	-	-			C-3298
1	12045206	DOSIFICADOR ABRILL. AQUA	AQUA RINSE AID DISPENSER	1	1	1	1	1	1	1	1			C-3299
3	12095427	E.V SIMPLE 220V SALIDA A 90º	SIMPLE E.V 90º EXIT	1	1	1	1	-	1	1	-			C-3299
5	12024568	VALVULA ANTIRRETORNO	NON-RETURN VALVE	1	1	1	1	2	1	1	2			C-3299
2	12110531	E.V.DOBLE 220/240V 50/60Hz	DOUBLE EV 220/240V 50/60Hz	-	-	-	-	2	-	-	2			C-3300
13	12044603	DESCALDIFICADOR COMPLETO	COMPLETE SOFTENER	-	-	-	-	1	-	-	1			C-3300
11	12093675	PRESOSTAT. DOBLE 125/20-190/165	125/20-190/165 PRESSURE SWITCH	1	1	1	1	1	1	1	1			C-3301
14	12096597	TERM. SEG. 261B 110ºC FAST 90	SEC. THERM. 261B 110ºC FAST 90	1	1	1	1	1	1	1	1			C-3301
16	12024040	CONTACTOR 230V 4VIAS UL	230V 4WAY UL CONTACTOR	2	2	2	2	2	2	2	2			C-3301
16A	12123408	KIT CONTACTOR AUXILIAR 400V UL	KIT AUXILIARY CONTACTOR 400V UL	1	1	1	1	1	1	1	1			C-3301
17	12024011	CONTACTOR 16A 4VIA UL	16A 4VIA CONTACTOR UL	2	2	2	2	2	2	2	2			C-3301
18	12024012	CONTACTOR 16A 4VIA UL	16A 4VIA CONTACTOR UL	1	1	1	1	1	1	1	1			C-3301
19	12024477	INTERRUPTOR MAGNETICO	MAGNETIC SWITCH	1	1	1	1	1	1	1	1			C-3301
21	12092148	PROGRAMADOR 5 LEVAS 50HZ	5 CAM PROGRAMMER 50HZ	1	1	1	1	1	1	1	1			C-3301
22	12024867	PROGRAMADOR REGENERACIÓN	SOFTENER PROGRAMMER	-	-	-	-	1	-	-	1			C-3301
24	12093146	CAMPANA TANQUE	TUB'S PRESSURE CHAMBER	1	1	1	1	1	1	1	1			C-3301
26	12115975	CONJUNTO MANDO CAPOTA	KNOB ASSEMBLED	1	1	1	1	1	1	1	1			C-3301
28	12024932	CONMUTADOR 7 POSICIONES	7 POS. SWITCH FOR FUNCTIONS	1	1	1	1	1	1	1	1			C-3301
31	12101764	EMBELLECEDOR CO-120 B	CO-120 B STICKER	1	1	1	1	-	1	1	-			C-3301
31	12101761	EMBELLECEDOR CO-120 SOFT	CO-120 SOFT STICKER	-	-	-	-	1	-	-	1			C-3301
32	12045886	RESISTENCIA 4,5KW TRIPLE	TRIPLE RESISTOR 4,5KW	1	1	1	1	1	1	1	1			C-3301
34	12023830	LIMITADOR TECASA 125ºC	TECASA THERMOSTAT 125ºC	1	1	1	1	1	1	1	1			C-3301
36	12040858	TERMOSTATO 16A 85ºC 6MM	THERMOSTAT 16A 85ºC 6MM	2	2	2	2	2	2	2	2			C-3301
39	12024146	RESISTENCIA CALDERIN COMPLETA	COMPLETE BOILER RESISTOR	1	1	1	1	1	1	1	1			C-3301
40	12010051	JUNTA TÓRICA RESIS. CALDERIN	BOILER RESISTOR'S O-RING	1	1	1	1	1	1	1	1			C-3301
41	12115384	PULSADOR 5V DC 5A 1VIA 1POS	5V DC 5A 1WAY 1POS PUSHBUTTON	-	-	-	-	1	-	-	1			C-3301

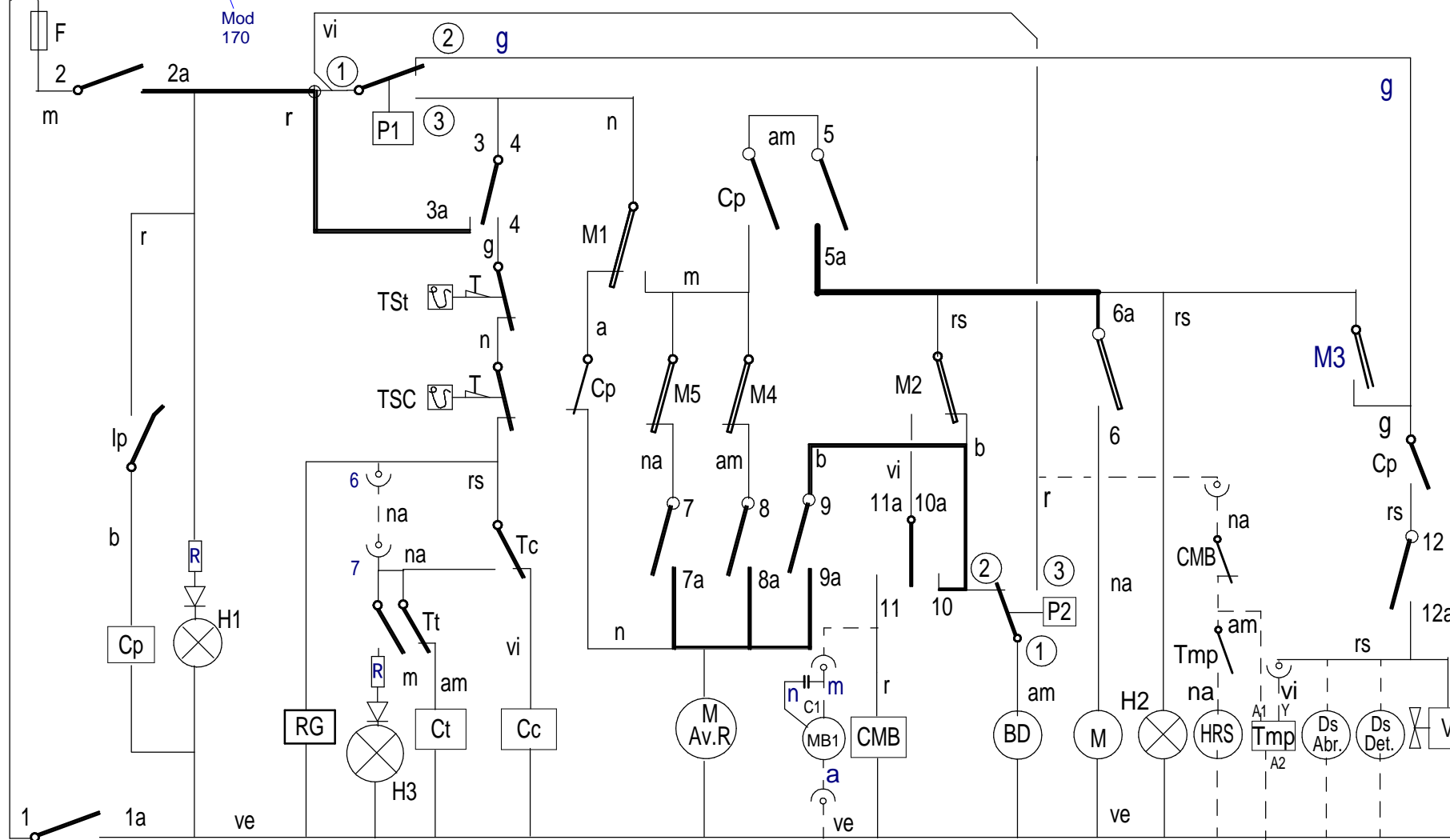
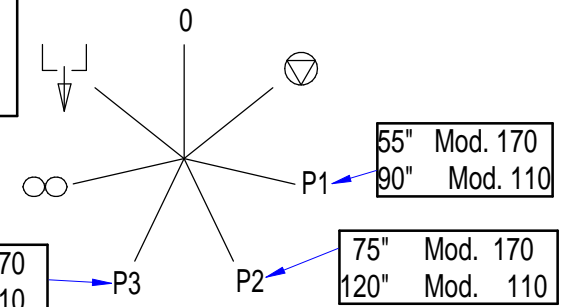
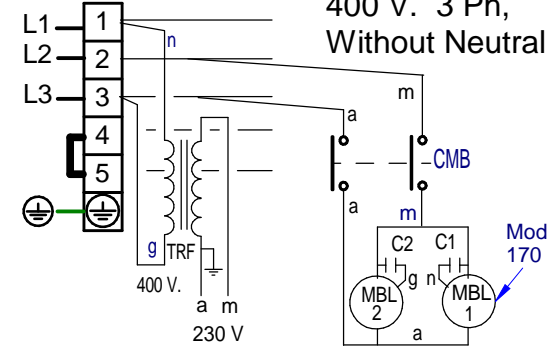
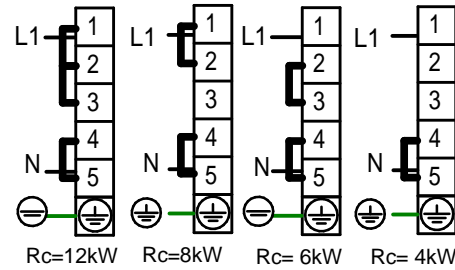
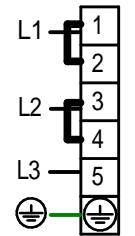
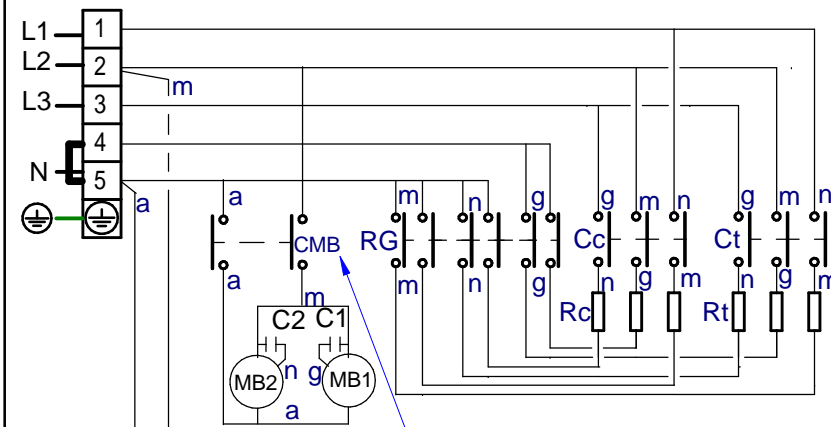
CO, 110, 170, B, DD, HRS, MARINE

400 V. 3N

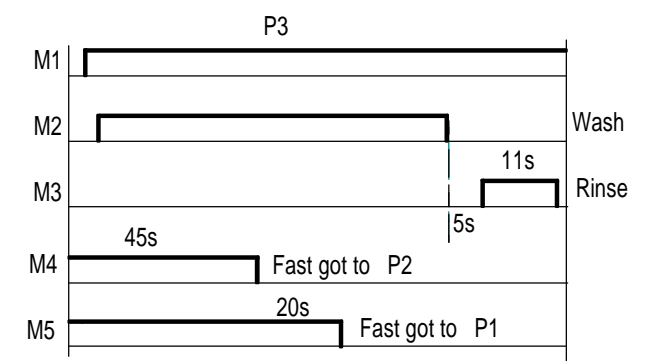
230 V 3Ph

230 V, 1 N

400 V. 3 Ph,
Without Neutral



IG	1 1a	2 2a-3a	3-4 4a	5 5a-6a	6 6a	7 7a-8a-9a	8 8a-9a	9-10 10a-11a	11	12
0										
⊕	X	X		X					X	X
P1	X	X		X	X	X	X		X	X
P2	X	X		X	X	X	X		X	X
P3	X	X		X	X	X			X	X
∞	X	X		X	X			X	X	X
⌚	X	X	X		X	X			X	



Mod. 80 Mod. 120 Mod. B Mod. HRS Mod. DD Mod. DD

12103266

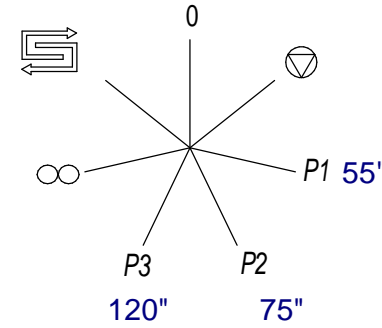
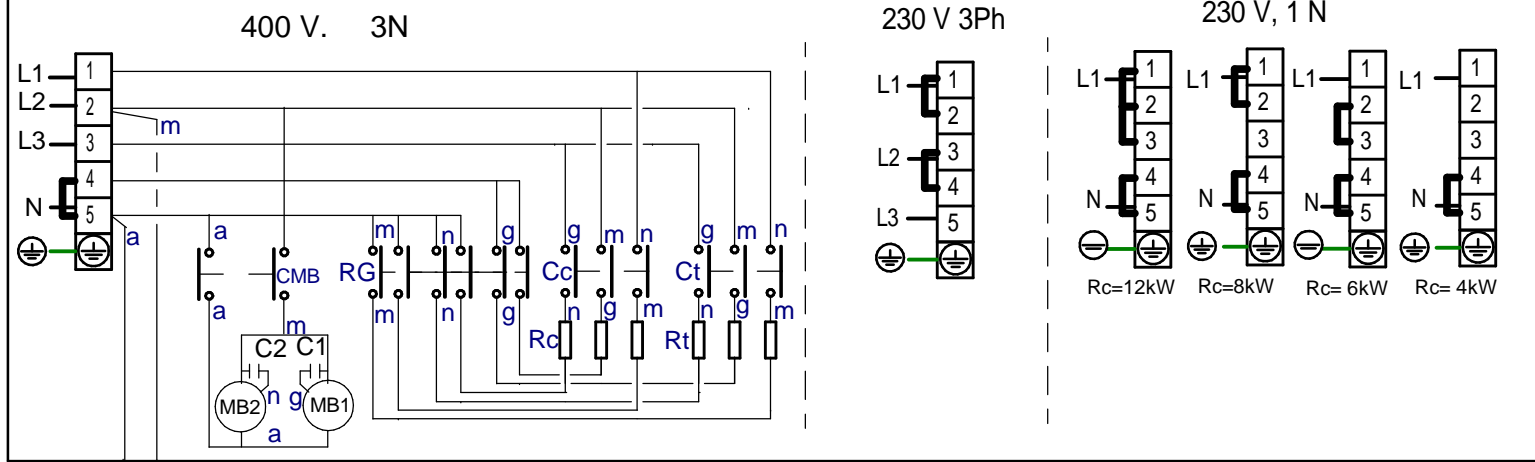
ESQUEMA CO 120, 80, B, DD, HRS		12103266																																									
Nº	TITLE	QTY	CODE																																								
GENERAL TOLERANCES:		MATERIAL																																									
ISO 2768-1		TREATMENT																																									
Very Coarse		SHEET FORMAT: A3																																									
<table border="1"> <thead> <tr> <th>LINE</th> <th>Fine</th> <th>Medium</th> <th>Coarse</th> <th>Very Coarse</th> </tr> </thead> <tbody> <tr> <td><3mm</td> <td>±0.05</td> <td>±0.10</td> <td>±0.15</td> <td>±0.20</td> </tr> <tr> <td>3-6mm</td> <td>±0.05</td> <td>±0.10</td> <td>±0.20</td> <td>±0.30</td> </tr> <tr> <td>6-30mm</td> <td>±0.10</td> <td>±0.20</td> <td>±0.50</td> <td>±1.00</td> </tr> <tr> <td>30-120mm</td> <td>±0.15</td> <td>±0.30</td> <td>±0.80</td> <td>±1.20</td> </tr> <tr> <td>120-400mm</td> <td>±0.20</td> <td>±0.50</td> <td>±1.20</td> <td>±2.00</td> </tr> <tr> <td>400-1000mm</td> <td>±0.30</td> <td>±0.80</td> <td>±2.00</td> <td>±3.00</td> </tr> <tr> <td>1000-2000mm</td> <td>±0.50</td> <td>±1.20</td> <td>±3.00</td> <td></td> </tr> </tbody> </table>		LINE	Fine	Medium	Coarse	Very Coarse	<3mm	±0.05	±0.10	±0.15	±0.20	3-6mm	±0.05	±0.10	±0.20	±0.30	6-30mm	±0.10	±0.20	±0.50	±1.00	30-120mm	±0.15	±0.30	±0.80	±1.20	120-400mm	±0.20	±0.50	±1.20	±2.00	400-1000mm	±0.30	±0.80	±2.00	±3.00	1000-2000mm	±0.50	±1.20	±3.00			
LINE	Fine	Medium	Coarse	Very Coarse																																							
<3mm	±0.05	±0.10	±0.15	±0.20																																							
3-6mm	±0.05	±0.10	±0.20	±0.30																																							
6-30mm	±0.10	±0.20	±0.50	±1.00																																							
30-120mm	±0.15	±0.30	±0.80	±1.20																																							
120-400mm	±0.20	±0.50	±1.20	±2.00																																							
400-1000mm	±0.30	±0.80	±2.00	±3.00																																							
1000-2000mm	±0.50	±1.20	±3.00																																								
DESIGNED BY: M.MAILLO		VALIDATED BY: X.Iruretagoyena																																									
DATE: 05.02.2014		SHEET: 1 / 1																																									
SCALE:																																											

12103266

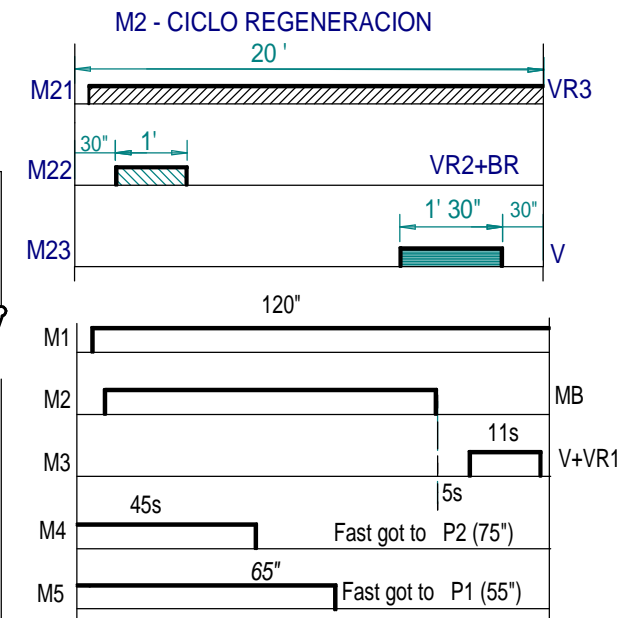
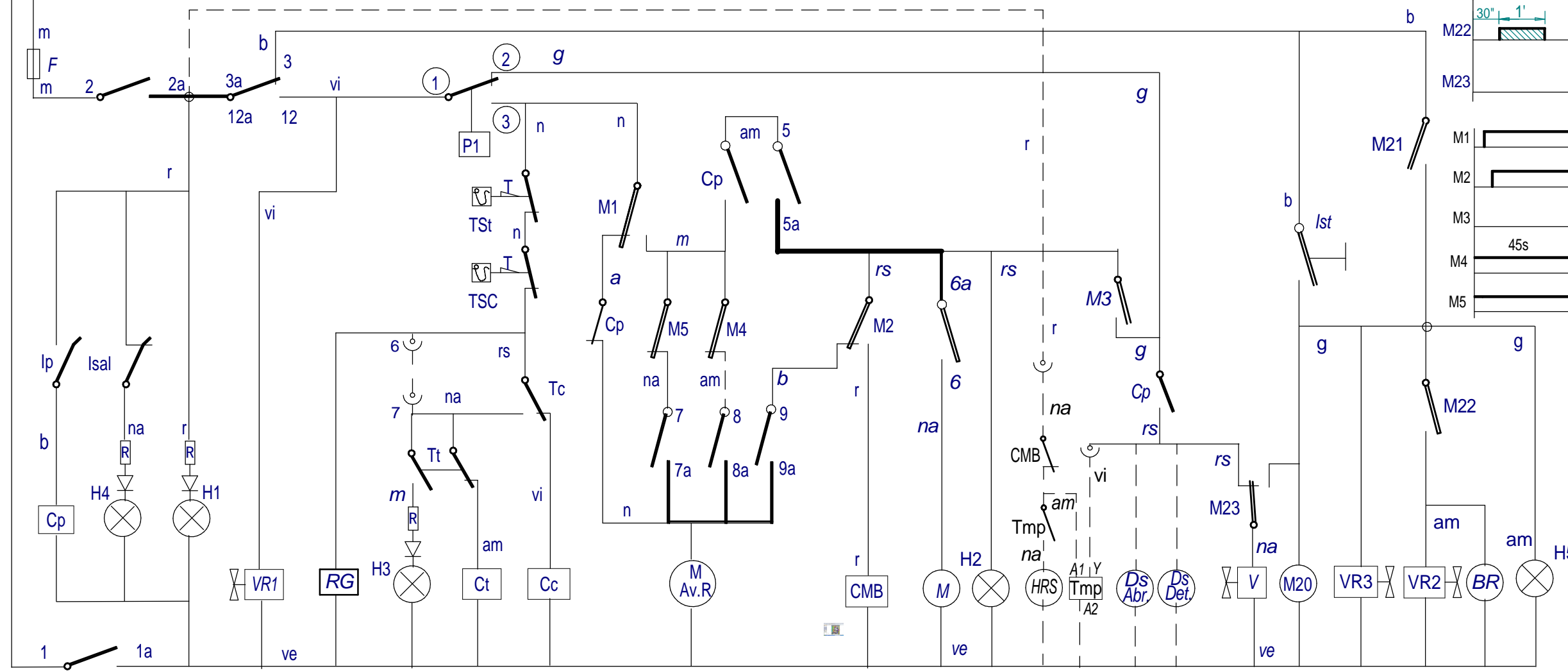
REVISION

PROPOSED BY: M.MAILLO ISSUE DATE:

CO SOFT, 170, DD, HRS



IG	1 1a	2 2a	3 3a	4 4a	5 5a	6 6a	7 7a	8 8a	9 9a	10 10a	11 11a	12 12a
0												
⊕	X	X		X							X	X
P1	X	X		X	X	X	X	X			X	X
P2	X	X		X	X	X		X			X	X
P3	X	X		X	X	X					X	X
∞	X	X		X	X					X	X	X
⊕	X	X	X		X	X				X		



12114473

-	Esquema Teorico CO 120 SOFT	-	12114473		
Nº	TITLE	QTY	CODE	MATERIAL	TREATMENT
GENERAL TOLERANCES: ISO 2768-1 Very Coarse		FAGOR INDUSTRIAL		SHEET FORMAT:	A3
DESIGNED BY: M.Maillo		VALIDATED BY: A.Gallastegui		DATE: 11.06.2014	SCALE: 1 / 1
12114473		LAVAVAJILLAS		ISSUE DATE:	
PROPOSED BY:		ISSUE DATE:			

